

**Main Index**

<b>W</b>	<b>Index</b>	Index/Updates.....	A01 - A03
<b>A</b>	<b>W</b>	<b>Profiles</b>	
		Specification Pages.....	A04 - A10
		Technical Information.....	A11 - A20
		Scale Profile Drawings.....	A21 - A44
<b>B</b>	<b>W</b>	<b>Accessories</b>	
		Photos & Drawings.....	B03 - B40
<b>C</b>	<b>W</b>	<b>Sections</b>	
		Scale Elevations.....	C03 - C84
<b>D</b>	<b>W</b>	<b>Statics</b> .....	D01 - D02
<b>E</b>	<b>W</b>	<b>Construction Drawings</b>	
		Corner Joint Details.....	E03
		Corner Crimping.....	E04 - E05
		Drainage.....	E06 - E07
		Angled Sub Cill.....	E08
		Mullion/Transom Details.....	E09 - E12
		Friction Stays.....	E13 - E14
		Friction Stay Accessories.....	E15
		Lock Installation.....	E16 - E19
		Window French Casement.....	E20 - E21
		Peg Stays.....	E22
		W20492 Horizontal Coupler Detail.....	E23
		UN3000 Horizontal Coupler Detail.....	E24
		Astragal Bar Detail.....	E25
		Tilt & Turn Details.....	E26 - E34
		Glazing Chart.....	E35 - E38
		Bay Pole Detail.....	E39 - E40
		Fixing Strap Guide.....	E41

## Main Index

**F** **W**

### Sawing Table

Fixed Light.....	F03 - F05
Side Hung Casement.....	F06 - F07
Top Hung Casement.....	F08
Side Hung Casement Adjacent to Fixed Light.....	F09
Top Hung Over Fixed Light.....	F10
Fixed Light Over Top Hung.....	F11
Side Hung Casement Adjacent to Side Hung Casement.....	F12
Tilt & Turn.....	F13 - F14
Tilt & Turn Adjacent to Fixed Light.....	F15 - F16

## Updates

DATE	PAGE	DESCRIPTION
27-01-17	E.33-E.36	The glazing wedge gasket ACW20038 Has been replaced with ACET840 as the original was too loose in the section. This amendment only applies to section W20122
04-07-17	E.23	ACSB787 updated to new number ACSZ905
13-02-18	B28, E15 & E16	Added Handle fixing blocks
	A12, A25, A27, A29 & E05	Added Sections W20132, W20133, W20145, W20172 & W20173
	B32	Added ACINDP24 Stay
	B17 & B25	Added Handles ACSM010L/R & Peg Stay ACW20108
13-03-18	A14	Amended ETC047 lxx and lyy values.
05-09-18	ALL SECTIONS	<p>Added Sections;</p> <ul style="list-style-type: none"> <li>W20111 - Long Leg Outerframe</li> <li>W20112 - Long Leg Outerframe</li> <li>W20131 - Reinforced Tilt and Turn Mullion</li> <li>W20139 - Reinforced Transom / Mullion</li> <li>W20171 - Internal Square Bead</li> <li>W20176 - 36mm Glazing Bead</li> </ul> <p>Added Accessories;</p> <ul style="list-style-type: none"> <li>ACET463 - Locking Tilt and Turn Handle</li> <li>ACET464 - Non-Locking Tilt and Turn Handle</li> </ul>
02-01-18	ALL SECTIONS	Tilt & Turn dimensions corrected
03-05-21	ALL SECTIONS	<p>Manual split between Doors and Windows</p> <p>Tilt &amp; Turn transom in sash detail added</p>
	ALL SECTIONS	<p>Added Sections;</p> <ul style="list-style-type: none"> <li>UL048 - 90 Degree Corner Post for W20114</li> <li>UL055 - Coupler for W20114</li> <li>UL056 - Head extension for W20114</li> <li>W20114 - 80mm Tilt &amp; Turn Outerframe</li> <li>W20134 - Tilt &amp; Turn Transom/Mullion for W20114</li> <li>W20135N - Dummy Transom renamed to W20135</li> </ul> <p>Added Accessories;</p> <ul style="list-style-type: none"> <li>ACET844 - 2mm Low Line External Gasket</li> <li>ACUL902 - Punches for W20114</li> <li>ACUN3140 - Outer Frame Cleat for W20114</li> <li>ACUN3512 - Screw</li> <li>ACW20114 - Punches for W20114</li> <li>ACW926 - Vee Block &amp; Packer for W20114</li> </ul>

## Specification

DATE	PAGE	DESCRIPTION
		<p><b>Superseded Sections;</b>            ETC381 - 24mm Glazing Bead            W20037 - Dummy Transom            W20137 - Dummy Transom            W20168 - 24mm Glazing Bead Superseded by W20168N            W20170 - 28mm Glazing Bead Superseded by W20170N            W20171 - 28mm Glazing Bead Superseded by W20171N</p> <p><b>Superseded Accessories;</b>            ACINDRSH12 - Stay Restriction superseded by ACETSH1312L/R            ACINDRSH16 - Stay Restriction superseded by ACETSH1316L/R</p>
18/10/21	ALL SECTIONS	<p><b>Sections;</b>            ETC371 - 28mm Square Glazing Bead Superseded by W20161            ETC375 - 28mm Chamfered Glazing Bead Superseded by W20162            W20244 - French Casement Mullion Added            UN3220 - Astragal Bar            UN3225 - Astragal Bar</p> <p><b>Added Accessories;</b>            ACUN3220 - Astragal Bar Steel Clip            ACUN3222 - Astragal Bar Cruciform Joint            ACW20220 - W20110 Variable Angle Cleat            ACW20221 - W20120 Variable Angle Cleat            ACW20225 - M4 Fixing Plate            ACW20242 - Shootbolt Guide for W20244            ACW20244 - W20244 End Cap            ACW20421 - Keep for W20244            ACW937 - Drill Jig for W20110            ACW938 - Drill Jig for W20120</p>



## Specification

### GENERAL DESCRIPTION

The "Alitherm Heritage" window system described in this manual is designed to offer a modern aluminium thermally broken replacement to steel windows. Taking inspiration from traditional steel windows, Alitherm Heritage features signature slim sightlines and attractive aesthetic contours coupled with polyamide thermal break technology giving Alitherm Heritage enhanced thermal performance and narrow sightlines.

The Alitherm Heritage is designed to be built as a series of horizontal or vertical modules which can be stacked using horizontal couplers to form a multi-part window featuring a specially design drip bar between modules.

Applications:

Windows:

- Fixed windows
- Side hung open out casements
- Top hung open out casements
- Tilt & Turn

Corner assembly of Alitherm Heritage is crimping only.

### RECOMMENDED DESIGN TILT/TURN LIMITATIONS

#### Windows

#### **Tilt & Turn Vents:**

Maximum Width: 1200mm

Minimum Width: 402mm

Maximum Height: 2100mm

Minimum Height: 600mm (SB Chrono)  
500mm (Fapim)

Maximum Weight: 90kg

See page E25 for more details

### SEE PAGE A05 FOR CASEMENT DESIGN LIMITATIONS

For advise on window sizes outside of the recommended design limitations, please contact the Technical Department at Smart Systems Ltd Tel: 01934 876100

## Specification

Kitemark™ Certificate No. KM 81580

### WINDOW DESIGN LIMITATIONS & PERFORMANCE CHARACTERISTICS

Window Type	Width (mm) Maximum	Height (mm) Maximum	Weight (kg) Maximum	Area (M <sup>2</sup> ) Maximum	Friction Stays (up to and including)	Transom/Mullion Length (mm) inc frame - Maximum	Air Permeability classification	Water tightness classification	Resistance to Wind classification	Exposure category as given in Table 1 of BS 6375-1:2009
<b>Sash dimensions for windows with approved sash profiles:</b>										
Projecting top hung Internally beaded	1400	1400	40	-	24"	-	4	7A	AE2400	2000+
Projecting top hung Externally beaded	1400	1400	40	-	24"	-	4	9A	AE2400	2000+
Projecting side hung Internally beaded	600	1400	28	-	16"	-	4	7A	AE2400	2000+
Projecting side hung Externally beaded	600	1400	28	-	16"	-	4	5A	AE2400	2000+
Tilt/Turns Internal beaded	1200	2100	-	-	-	-	4	9A	BE2400	2000+
<b>Overall dimensions for windows with approved outer frame profiles:</b>										
Fixed Internally Beaded	2100	2100	-	4.2	-	-	4	7A	AE2400	2000+
Fixed Externally Beaded	2100	2100	-	4.2	-	-	4	9A	AE2400	2000+
<b>Overall dimensions for approved outer frames &amp; transom/mullion profiles:</b>										
Multilights* W20035 T/M Internally Beaded	2100	2100	-	2.5	-	1450	4	7A	AE2400	2000+
Multilights* W20035 T/M Externally Beaded	2100	2100	-	2.5	-	1450	4	9A	AE2400	2000+
Multilights* W20130 T/M Internally Beaded	2100	2100	-	-	-	-	4	7A	AE2400	2000+

\*Transom/mullion subject to lxx/lyy requirements

### ⚠ Important! ⚠

The size parameters shown against Kitemark are the maximum allowed without the need for further testing. Please note these are not necessarily the system parameters which may be smaller or larger. Please refer to fabrication parameters in this manual.

Please see pages B33, B34 & B35 for more guidance on vent sizes, limitations & hardware selection.

## Specification

### PROFILE SPECIFICATION

The window frames are constructed of aluminium alloy extrusion to BS EN 755-9 and BS EN 12020, extruded to 6063 T6 alloy. The internal and external extrusions are separated with a polyamide thermal break.

The external aluminium alloy extrusion is pre-treated and finished either:-

Anodised to BS 3987: 1987, grade AA25 to a natural self colour.

- a) Anodised to BS 3987 : 1987, grade AA25 to a natural colour.
- b) Polyester powder organic coating to BS 6496. Dual colour is available.

### GENERAL MANUFACTURING

Outer and vent frames are made by cutting the frame profiles with accurate 45° mitred ends using Tungsten Carbide Tipped Saw Blades, operating at approximately 3000 rpm.

The corners are joined using the Alitherm Heritage crimping tools to form a cold forged corner joint (made by deforming small slugs of metal into the groove of the corner cleat).

The ends of transoms and mullions are profiled to fit the frame and fixed using self-tapping screws with a small joint sealant.

On polyester powder coated finishes, great care should be taken to avoid getting gap sealer on visible surfaces and should be removed as soon as possible with a clean cloth.

Care should be exercised when using products not supplied by Smart Systems Ltd as no responsibility can be accepted.

## Specification

### WINDOW DRAINAGE

As with all dry glazed systems, it is recommended that the window system is adequately drained and ventilated. Refer to drainage details in manual, if in doubt ask The Technical Department.

In order to get maximum performance and weather resistance it is recommended that drips are used over all vents.

### OUTER FRAME MANUFACTURING INFORMATION

The outer frame members are cut with 45° mitred ends to the overall size required, measured to the longest point of the metal.

Prior to corner crimping the centre line position of any transoms or mullions should be marked on the outer frame members. Where the transom/mullion runs right through, it should be marked out on both jambs or head and cill members in pairs to ensure accurate alignment of the sections.

Using the marked centre line, Drill the transom/mullion fixing holes using a 5mm dia. drill bit.

Corners are formed by coating the cut faces to be joined with a suitable small gap sealer. Into the mitred corner insert the cleat glue and the required corner cleats and, where required, the aluminium corner chevrons. The two mitred ends are then brought together and crimped. The small gap sealer ensures a permanent joint and guards against the ingress of moisture and joint movement. After crimping the corner joint, special care should be taken to ensure any excess sealer is removed from painted surfaces.

Transoms or mullions are cut with square ends to the sizes calculated on the cutting formula sheets. The ends are then profiled to allow them to fit into the outer frame. Special tooling is available on request to profile the end of transom/mullion.

Prior to fixing of transoms and mullions smear the cut ends with a suitable small gap sealer. After fixing, special care should be taken to ensure any excess is cleared from painted surfaces.

### VENT

Corners are formed by coating the cut faces to be joined with a suitable gap sealer. In the mitred corner insert the cleat glue and the required corner cleats and chevrons. The mitred ends are then brought together and crimped. The small gap sealer ensures a permanent joint and guards against the ingress of moisture and joint movement. Care should be taken to ensure any excess sealer is removed from the surfaces.

The cutting sizes produce vent frames with a cavity of 13mm.

When fixing, the friction stays into both the outer and vent frame, care should be taken to ensure that holes are located on 'V' grooves in the aluminium extrusions.

## Specification

### INTERNALLY BEADED ADAPTOR FRAME

The internally beaded adaptor frame members are cut with 45° mitred ends to the overall size required, measured to the longest point of metal. Care should be taken when measuring and cutting the frame members as only nominal clearance is required when the assembled frame is fixed in the outer frame.

Corners are formed by coating the cut faces to be joined with a suitable small gap sealer. Into the mitred corner insert the cleat glue and a corner cleat and the required corner chevrons. The small gap sealer ensures a permanent joint and guards against the ingress of moisture and joint movements. Care should be taken to ensure any excess sealer is removed from painted surfaces.

### GLAZING

All beads are cut to suit the glazing aperture on the fully assembled window for glazing either at factory or on site as required. We recommend using black spacer bars.

### EXTERNALLY BEADED GLAZING

Glazing beads are fitted to openings by cutting the horizontal beads square to head and cill of each vent and fixed light area. Vertical beads are cut at 45° or 90° both ends. When using glazing beads ETC364, ETC370, ETC376, ETC377, ETC378, ETC379, W20161 & W20162 slide retained ACET845 gasket into section and ensure it is not stretched. Insert bottom beads and two setting blocks to ensure glass will be centralized in vertical dimension of opening (glazing blocks must be full width of cavity to fully support glass or sealed unit), then insert top bead followed by side beads. Finish glazing by insertion of internal gaskets all round.

### INTERNALLY BEADED GLAZING

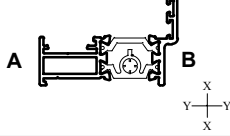
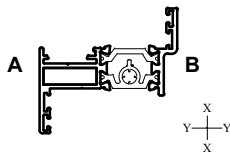
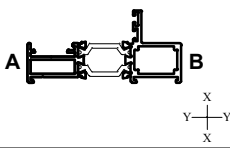
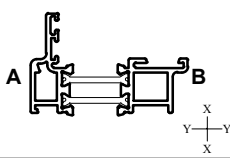
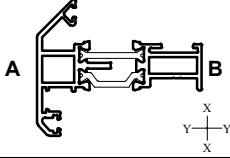
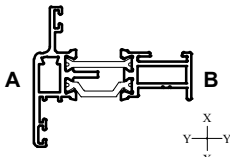
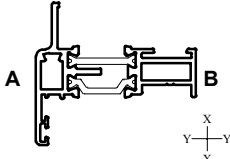
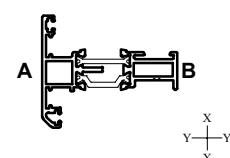
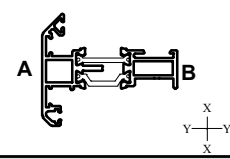
Glazing beads are fitted to openings by cutting the horizontal beads square to head and cill of each vent and fixed light area. Vertical beads are cut square at both ends. Insert bottom beads and two setting blocks to ensure glass will be centralized in vertical dimension of opening (glazing blocks must be full width of cavity to fully support glass or sealed unit), then insert top bead followed by side beads. Finish glazing by insertion of internal gaskets all round except in the case of 28mm glazing where glazing tape is used in conjunction with vent profile W20026.

### Alitherm Heritage Window U Values

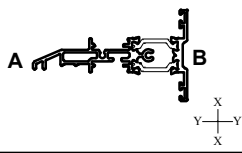
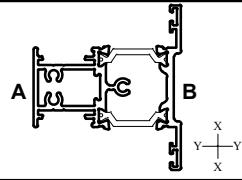
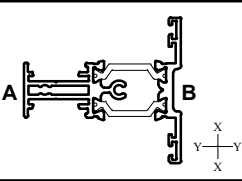
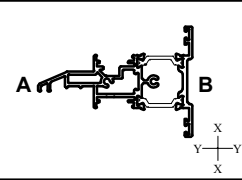
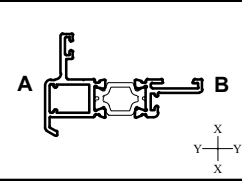
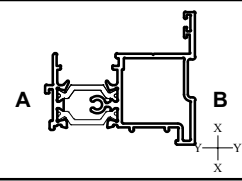
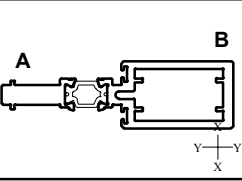
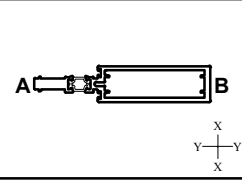
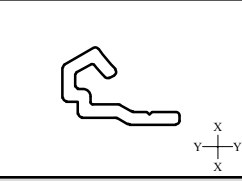
Please refer to the Smart Systems' Document L White Paper or contact the Technical Department.

## Specification

**PROFILES : TECHNICAL INFORMATION**

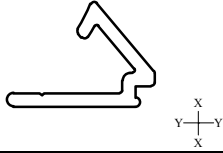
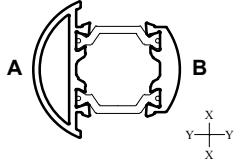
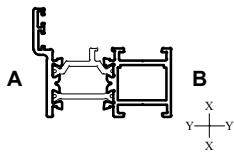
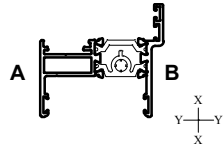
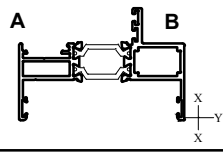
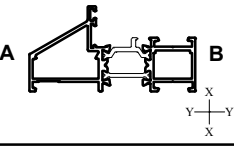
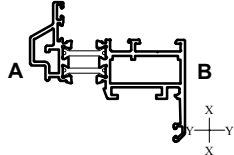
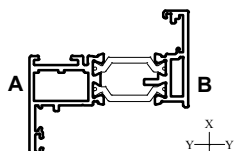
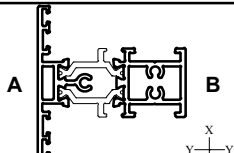
Number	Picture	Page	Perim. mm	Mec. mm	Ix(cm4) wx(cm3)	Iy(cm4) wy(cm3)	Length	Pack pr.	MF	SA	KL	HP	M	
<b>W20015</b>		A21	255	60	8.08 ----- 2.91	1.43 ----- 1.21	6.5	1	✓	✓	✓	✓	✓	
<b>W20016</b>		A21	300	77	10.26 ----- 3.72	2.59 ----- 1.1	6.5	1	✓	✓	✓	✓	✓	
<b>W20017</b>		A21	297	74	27.70 ----- 6.35	2.37 ----- 2.41	6.5	1	✓	✓	✓	✓	✓	
<b>W20018</b>		A23	262	63	9.74 ----- 3.08	2.42 ----- 1.07	6.5	1	✓	✓	✓	✓	✓	
<b>W20024</b>		A24	334	75	11.91 ----- 5.17	2.87 ----- 1.25	6.5	1	✓	✓	✓	✓	✓	
<b>W20025</b>		A24	309	74	9.74 ----- 3.08	2.42 ----- 1.07	6.5	1	✓	✓	✓	✓	✓	
<b>W20026</b>		A24	302	72	9.67 ----- 2.24	3.08 ----- 0.98	6.5	1	✓	✓	✓	✓	✓	
<b>W20028</b>		A25	340	73	12.57 ----- 3.61	3.02 ----- 1.32	6.5	1	✓	✓	✓	✓	✓	
<b>W20029</b>		A25	348	73	12.29 ----- 3.56	2.91 ----- 1.26	6.5	1	✓	✓	✓	✓	✓	
									A = Outside B = Inside		MF = Mill Finish SA = Silver Anodised KL = Basic Colour HP = Special Colour M = Dual Colour			

PROFILES : TECHNICAL INFORMATION

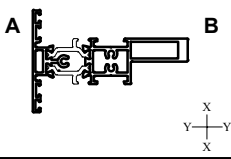
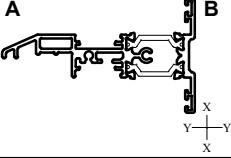
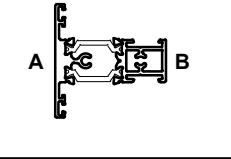
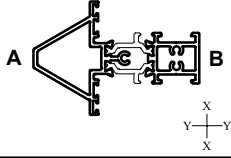
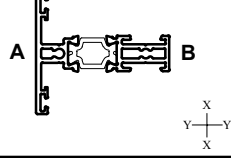
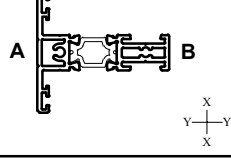
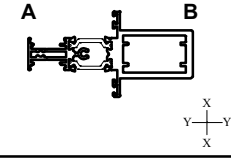
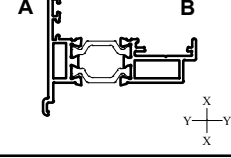
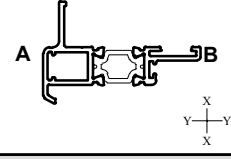
Number	Picture	Page	Perim. mm	Mec. mm	Ix(cm4) wx(cm3)	Iy(cm4) wy(cm3)	Length	Pack pr.	MF	SA	KL	HP	M	
<b>W20032</b>		A29	456	153	25.92 ----- 5.09	2.81 ----- 1.16	6.5	1	✓	✓	✓	✓	✓	
<b>W20034</b>		A28	392	90	14.43 ----- 4.99	5.81 ----- 2.00	6.5	1	✓	✓	✓	✓	✓	
<b>W20035</b>		A28	351	78	10.67 ----- 3.45	2.72 ----- 1.13	6.5	1	✓	✓	✓	✓	✓	
<b>W20039</b>		A29	479	173	28.96 ----- 5.67	5.79 ----- 2.00	6.5	1	✓	✓	✓	✓	✓	
<b>W20047</b>		A31	237	45	5.39 ----- 1.64	1.08 ----- 0.74	6.5	1	✓	✓	✓	✓	✓	
<b>W20048</b>		A27	338	37	11.91 ----- 3.75	4.93 ----- 2.5	6.5	1	✓	✓	✓	✓	✓	
<b>W20051</b>		A32	296	272	63.3 ----- 12.44	4.78 ----- 3.56	6.5	1	✓	✓	✓	✓	✓	
<b>W20054</b>		A32	376	206	146.55 ----- 19.89	8.24 ----- 6.15	6.5	1	✓	✓	✓	✓	✓	
<b>W20065</b>		A32	57	10	- ----- -	- ----- -	5	1	✓	✓	✓	✓		
									A = Outside B = Inside		MF = Mill Finish SA = Silver Anodised KL = Basic Colour HP = Special Colour M = Dual Colour			



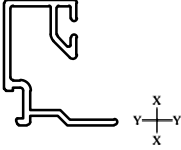
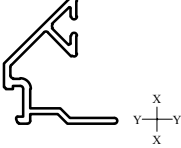
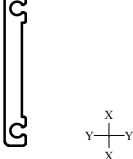
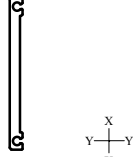
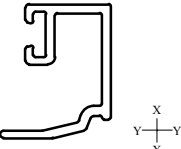
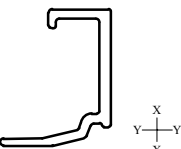
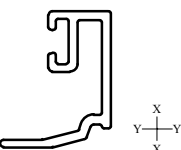
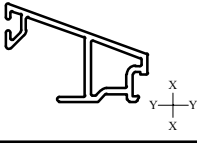
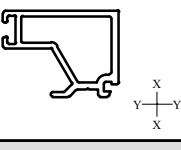
PROFILES : TECHNICAL INFORMATION

Number	Picture	Page	Perim. mm	Mec. mm	lx(cm4) wx(cm3)	ly(cm4) wy(cm3)	Length	Pack pr.	MF	SA	KL	HP	M	
W20066		A32	74	15	- ----- -	- ----- -	5	1	✓	✓	✓	✓		
W20069		A32	192	71	5.05 ----- 2.55	2.00 ----- 1.12	5	1	✓	✓	✓	✓	✓	
W20110		A23	297	76	10.64 ----- 4.01	3.05 ----- 1.95	6.5	1	✓	✓	✓	✓	✓	
W20111		A22	301	100	10.81 ----- 4.00	3.15 ----- 1.37	6.5	1	✓	✓	✓	✓	✓	
W20112		A22	340	113	22.77 ----- 6.14	3.48 ----- 1.50	6.5	1	✓	✓	✓	✓	✓	
W20114		A23	332.9	93.2	28.7 ----- 7	4.3 ----- 2.9	6.5	1	✓	✓	✓	✓	✓	
W20120		A26	367	90	16.66 ----- 5.00	4.47 ----- 1.77	6.5	1	✓	✓	✓	✓	✓	
W20122		A26	310	78	12.96 ----- 4.89	3.41 ----- 1.49	6.5	1	✓	✓	✓	✓	✓	
W20130		A30	378	117	14.39 ----- 4.89	4.30 ----- 1.59	6.5	1	✓	✓	✓	✓	✓	
									A = Outside B = Inside		MF = Mill Finish SA = Silver Anodised KL = Basic Colour HP = Special Colour M = Dual Colour			

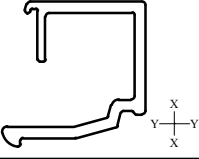
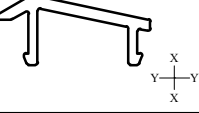
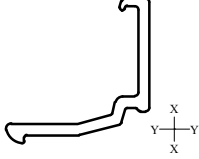
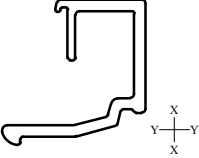
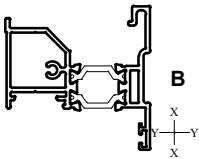
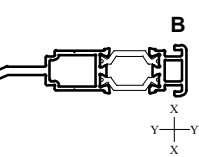
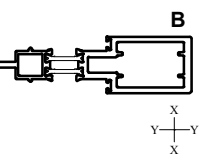
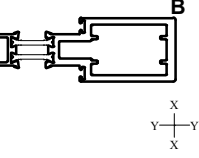
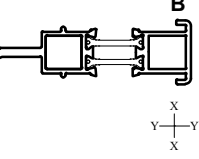
PROFILES : TECHNICAL INFORMATION

Number	Picture	Page	Perim. mm	Mec. mm	Ix(cm4) wx(cm3)	Iy(cm4) wy(cm3)	Length	Pack pr.	MF	SA	KL	HP	M	
W20131		A26	438	146	40.44 ----- 8.66	4.99 ----- 1.97	6.5	1	✓	✓	✓	✓	✓	
W20132		A29	392	164	25.92 ----- 5.12	2.92 ----- 1.28	6.5	1	✓	✓	✓	✓	✓	
W20133		A30	258	94	9.94 ----- 3.43	2.89 ----- 1.2	6.5	1	✓	✓	✓	✓	✓	
W20134		A30	367.2	124.7	28.2 ----- 6.9	6 ----- 2.2	6.5	1	✓	✓	✓	✓	✓	
W20135		A27	270	64	7.37 ----- 4.12	1.82 ----- 0.86	6.5	1	✓	✓	✓	✓	✓	
W20136		A27	270	64	7.37 ----- 4.12	1.82 ----- 0.86	6.5	1	✓	✓	✓	✓	✓	
W20139		A28	428	175	57.16 ----- 11.08	7.32 ----- 3.05	6.5	1	✓	✓	✓	✓	✓	
W20145		A31	237	85	9.12 ----- 2.79	2.07 ----- 1.04	6.5	1	✓	✓	✓	✓	✓	
W20147		A31	224	43	5.33 ----- 1.64	0.96 ----- 0.66	6.5	1	✓	✓	✓	✓	✓	
									A = Outside B = Inside		MF = Mill Finish SA = Silver Anodised KL = Basic Colour HP = Special Colour M = Dual Colour			

**PROFILES : TECHNICAL INFORMATION**

Number	Picture	Page	Perim. mm	Mec. mm	lx(cm4) wx(cm3)	ly(cm4) wy(cm3)	Length	Pack pr.	MF	SA	KL	HP	M	
<b>W20161</b>		A38	131	28	- ---	- ---	6.5	1	✓	✓	✓	✓		
<b>W20162</b>		A38	110	21	- ---	- ---	6.5	1	✓	✓	✓	✓		
<b>W20165</b>		A35	68	32	- ---	- ---	4	1	✓	✓	✓	✓		
<b>W20166</b>		A35	100	48	- ---	- ---	4	1	✓	✓	✓	✓		
<b>W20168N</b>		A36	104	27	- ---	- ---	5	1	✓	✓	✓	✓		
<b>W20170N</b>		A36	77	25	- ---	- ---	4	1	✓	✓	✓	✓		
<b>W20171N</b>		A36	99	22	- ---	- ---	4	1	✓	✓	✓	✓		
<b>W20172</b>		A37	128	48	- ---	- ---	6.5	1	✓	✓	✓	✓		
<b>W20173</b>		A37	105	50	- ---	- ---	6.5	1	✓	✓	✓	✓		
									A = Outside B = Inside		MF = Mill Finish SA = Silver Anodised KL = Basic Colour HP = Special Colour M = Dual Colour			

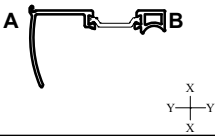
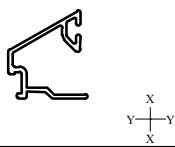
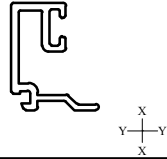
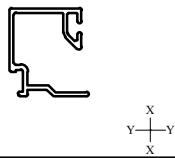
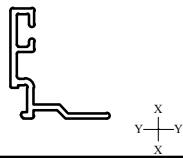
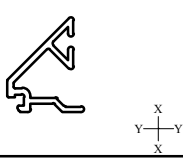
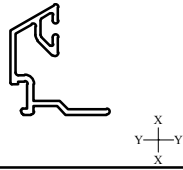
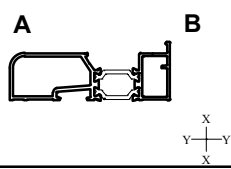
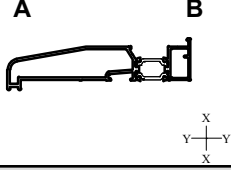
**PROFILES : TECHNICAL INFORMATION**

Number	Picture	Page	Perim. mm	Mec. mm	Ix(cm4) wx(cm3)	Iy(cm4) wy(cm3)	Length	Pack pr.	MF	SA	KL	HP	M	
<b>W20174</b>		A37	112	32	- -	- -	6.5	1	✓	✓	✓	✓		
<b>W20175</b>		A36	69	23	- -	- -	4	1	✓	✓				
<b>W20176</b>		A38	76	19	- -	- -	6.5	1	✓	✓	✓	✓		
<b>W20178</b>		A37	104	28	- -	- -	6.5	1	✓	✓	✓	✓		
<b>W20244</b>		A27	343	100	13.09 ----- 4.38	5.31 ----- 2.18	6.5	1	✓	✓	✓	✓	✓	
<b>W20485</b>		A39	259	222	21.12 ----- 4.67	0.76 ----- 0.87	6.5	1	✓	✓	✓	✓	✓	
<b>W20486</b>		A39	374	198	94.15 ----- 12.25	6.57 ----- 4.45	6.5	1	✓	✓	✓	✓	✓	
<b>W20487</b>		A39	312	135	50.37 ----- 8.96	6.47 ----- 4.31	6.5	1	✓	✓	✓	✓	✓	
<b>W20488</b>		A40	272	111	22.30 ----- 4.84	1.01 ----- 0.94	6.5	1	✓	✓	✓	✓	✓	
									A = Outside B = Inside		MF = Mill Finish SA = Silver Anodised KL = Basic Colour HP = Special Colour M = Dual Colour			

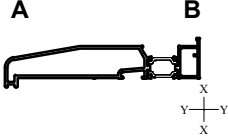
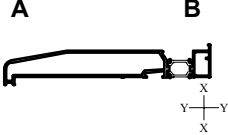
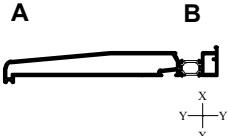
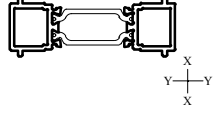
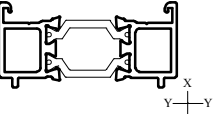
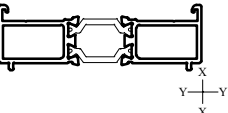
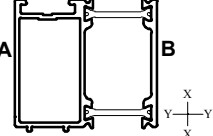
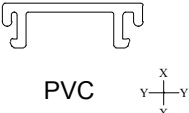
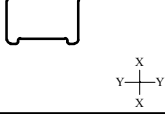
**PROFILES : TECHNICAL INFORMATION**

Number	Picture	Page	Perim. mm	Mec. mm	lx(cm4) wx(cm3)	ly(cm4) wy(cm3)	Length	Pack pr.	MF	SA	KL	HP	M	
<b>W20489</b>		A40	209	47	8.06 ----- 2.81	0.92 ----- 0.81	6.5	1	✓	✓	✓	✓	✓	
<b>W20490</b>		A40	366	218	142.14 ----- 18.83	10.86 ----- 7.24	6.5	1	✓	✓	✓	✓	✓	
<b>W20492</b>		A41	180	23	8.63 ----- 3.02	0.88 ----- 0.77	6.5	1	✓	✓	✓	✓	✓	
<b>DV515</b>		A34	356	85	27.16 ----- 7.76	14.38 ----- 6.75	6.5	1	✓	✓	✓	✓	✓	
<b>ETC047</b>		A33	276	115	11.68 ----- 4.67	11.68 ----- 4.77	6.5	1	✓	✓	✓	✓	✓	
<b>ETC048</b>		A33	414	152	42.64 ----- 11.72	42.64 ----- 11.81	6.5	1	✓	✓	✓	✓	✓	
<b>ETC080</b>		A44	344	61	25.58 ----- 5.47	4.88 ----- 2.57	6.5	1	✓	✓	✓	✓	✓	
<b>ETC081</b>		A44	197	35	13.85 ----- 3.8	0.36 ----- 0.52	6.5	1	✓	✓	✓	✓	✓	
<b>ETC082</b>		A44	221	47	16.21 ----- 4.19	1.15 ----- 1.29	6.5	1	✓	✓	✓	✓	✓	
									A = Outside B = Inside		MF = Mill Finish SA = Silver Anodised KL = Basic Colour HP = Special Colour M = Dual Colour			

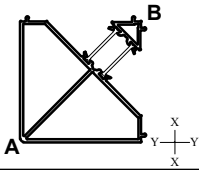
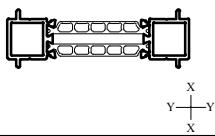
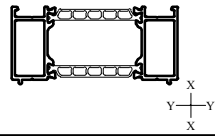
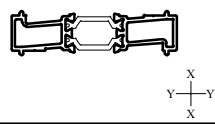
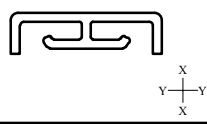
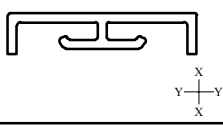
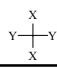
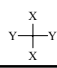
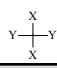
**PROFILES : TECHNICAL INFORMATION**

Number	Picture	Page	Perim. mm	Mec. mm	Ix(cm4) wx(cm3)	Iy(cm4) wy(cm3)	Length	Pack pr.	MF	SA	KL	HP	M	
<b>ETC083</b>		A44	243	58	17.66 ----- 4.32	2.64 ----- 2.36	6.5	1	✓	✓	✓	✓	✓	
<b>ETC364</b>		A38	122	28	- ----- -	- ----- -	6.5	1	✓	✓	✓	✓	✓	
<b>ETC366</b>		A37	106	24	- ----- -	- ----- -	6.5	1	✓	✓	✓	✓	✓	
<b>ETC370</b>		A38	141	32	- ----- -	- ----- -	6.5	1	✓	✓	✓	✓		
<b>ETC376</b>		A38	100	20	- ----- -	- ----- -	6.5	1	✓	✓	✓	✓		
<b>ETC378</b>		A37	96	21	- ----- -	- ----- -	6.5	1	✓	✓	✓	✓		
<b>ETC379</b>		A38	112	21	- ----- -	- ----- -	6.5	1	✓	✓	✓	✓		
<b>ETC451</b>		A42	271	180	32.44 ----- 7.29	3.46 ----- 2.79	6.5	1	✓	✓	✓	✓	✓	
<b>ETC452</b>		A42	414	382	122.46 ----- 18.03	6.01 ----- 3.34	6.5	1	✓	✓	✓	✓	✓	
									A = Outside B = Inside		MF = Mill Finish SA = Silver Anodised KL = Basic Colour HP = Special Colour M = Dual Colour			

**PROFILES : TECHNICAL INFORMATION**

Number	Picture	Page	Perim. mm	Mec. mm	lx(cm4) wx(cm3)	ly(cm4) wy(cm3)	Length	Pack pr.	MF	SA	KL	HP	M	
<b>ETC457</b>		A42	444	412	163.27 ----- 21.60	6.79 ----- 3.73	6.5	1	✓	✓	✓	✓	✓	
<b>ETC458</b>		A43	524	492	313.62 ----- 32.63	8.87 ----- 4.79	6.5	1	✓	✓	✓	✓	✓	
<b>ETC479N</b>		A43	594	559	501.64 ----- 44.04	9.72 ----- 5.34	6.5	1	✓	✓	✓	✓	✓	
<b>ETC853</b>		A41	219	53.7	23.28 ----- 6.65	1.94 ----- 1.43	6.5	1	✓	✓	✓	✓	✓	
<b>ETD056</b>		A34	204.8	172	6.31 ----- 2.69	0.82 ----- 0.77	6.5	1	✓	✓	✓	✓	✓	
<b>ETD057</b>		A34	250.8	217	16.30 ----- 4.66	1.12 ----- 1.07	6.5	1	✓	✓	✓	✓	✓	
<b>ETD058</b>		A34	294	85	9.92 ----- 4.22	7.25 ----- 3.4	6.5	1	✓	✓	✓	✓	✓	
<b>PCX41</b>	 PVC	A36	65	-	- ----- -	- ----- -	6.5	1	✓					
<b>SPD750</b>		A35	31	10	- ----- -	- ----- -	6.5	1	✓	✓	✓	✓		
									A = Outside B = Inside		MF = Mill Finish SA = Silver Anodised KL = Basic Colour HP = Special Colour M = Dual Colour			

**PROFILES : TECHNICAL INFORMATION**

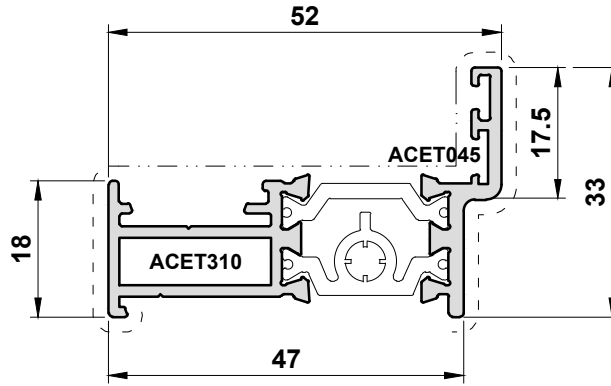
Number	Picture	Page	Perim. mm	Mec. mm	Ix(cm4) wx(cm3)	Iy(cm4) wy(cm3)	Length	Pack pr.	MF	SA	KL	HP	M	
<b>UL048</b>		A33	428	161	67.01 ----- 14.96	67.01 ----- 17.59	6.5	1	✓	✓	✓	✓	✓	
<b>UL055</b>		A41	224	37	26.65 ----- 6.66	1.29 ----- 1.13	6.5	1	✓	✓	✓	✓	✓	
<b>UL056</b>		A35	300	71	38.49 ----- 9.62	5.74 ----- 3.15	6.5	1	✓	✓	✓	✓	✓	
<b>UN3000</b>		A41	200	43.24	15.8 ----- 4.51	0.79 ----- 0.84	6.5	1	✓	✓	✓	✓	✓	
<b>UN3220</b>		A35	84	30	- ----- -	- ----- -	4	1	✓	✓	✓	✓		
<b>UN3225</b>		A35	95	35	- ----- -	- ----- -	4	1	✓	✓	✓	✓		
														
														
														
									A = Outside B = Inside		MF = Mill Finish SA = Silver Anodised KL = Basic Colour HP = Special Colour M = Dual Colour			



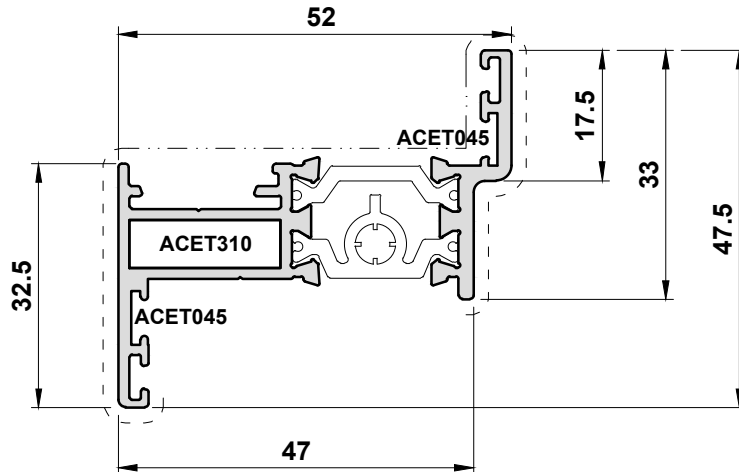
Primary Visible Side

Secondary Visible Side

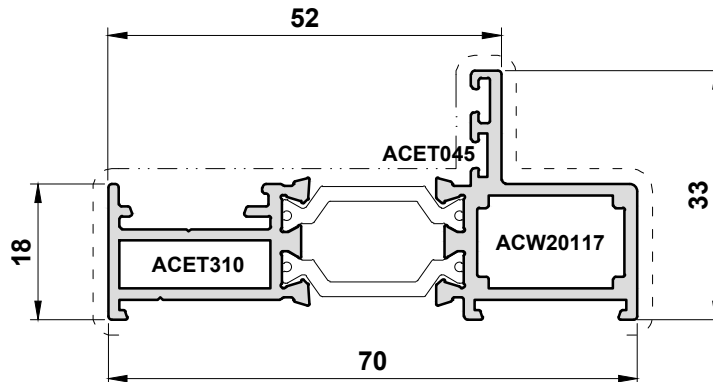
**W20015**  
Outer Frame



**W20016**  
Odd Leg Outer Frame



**W20017**  
70mm Outer Frame

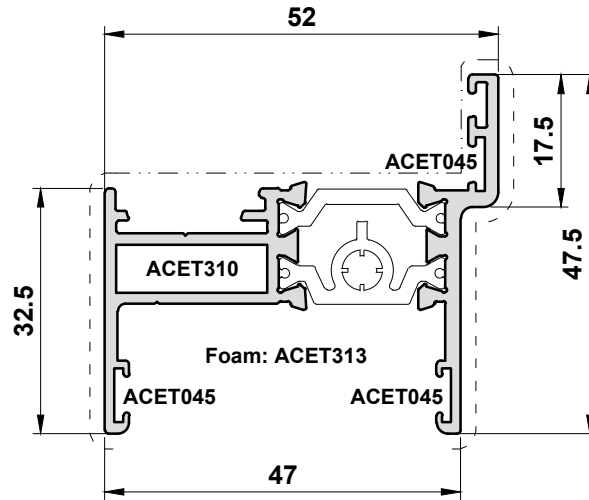


Scale 1:1

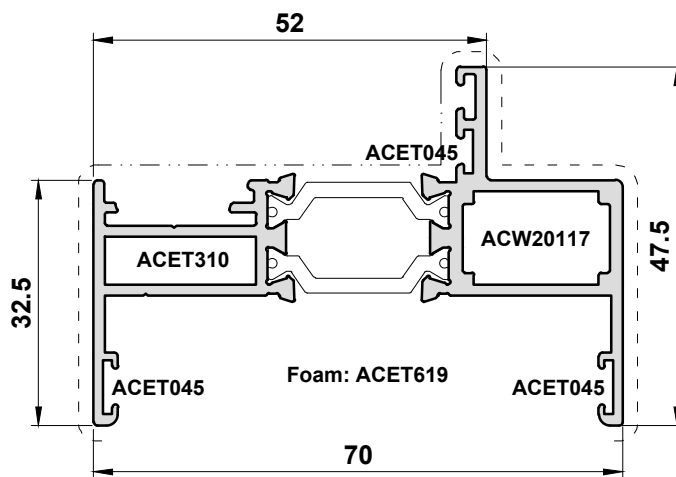
Primary Visible Side

Secondary Visible Side

## W20111 47mm Long Leg Outer Frame



## W20112 70mm Long Leg Outer Frame



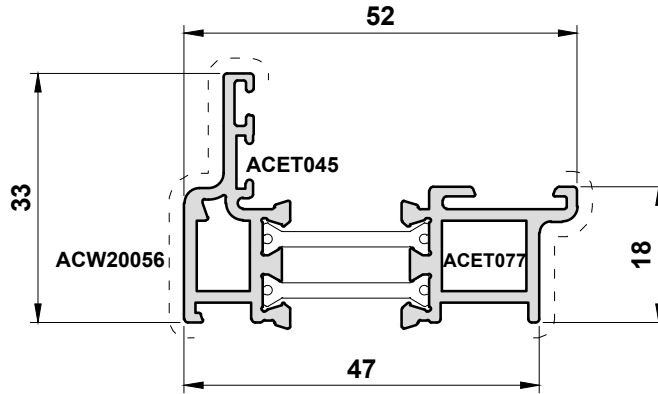
Scale 1:1

Primary Visible Side

Secondary Visible Side

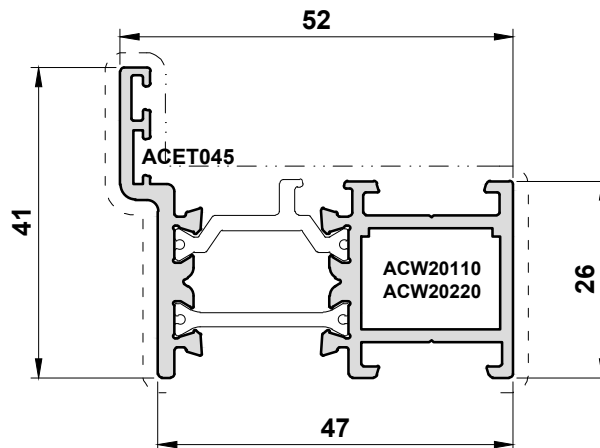
**W20018**

**Internally Beaded Fixed  
Light Outer Frame**



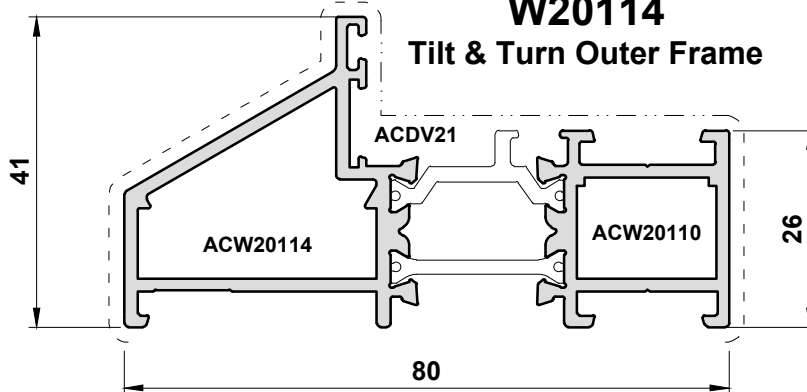
**W20110**

**Tilt & Turn Outer Frame**



**W20114**

**Tilt & Turn Outer Frame**

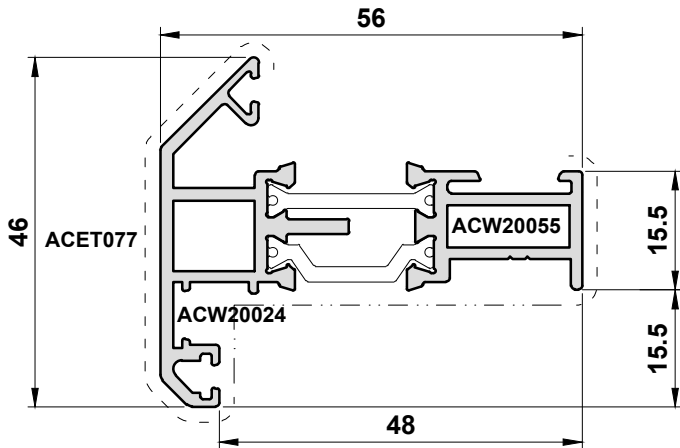


Scale 1:1

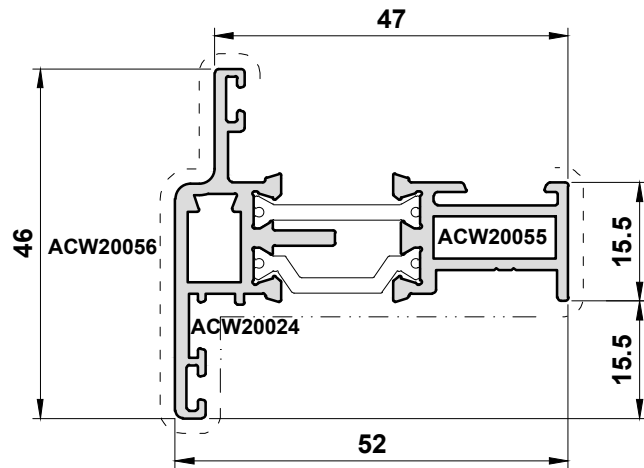
Primary Visible Side

Secondary Visible Side

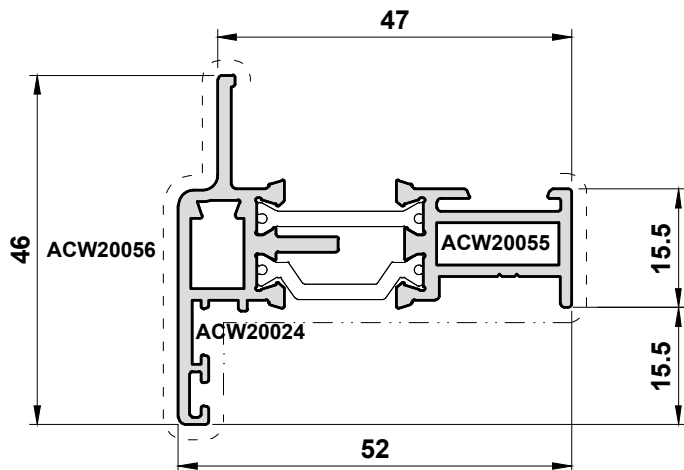
**W20024**  
Chamfered Vent



**W20025**  
Vent



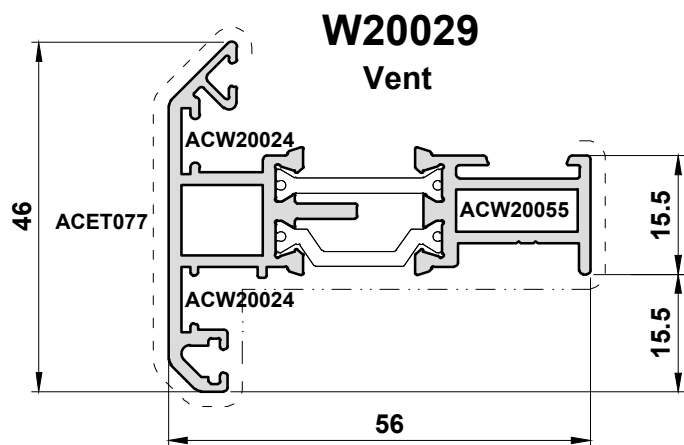
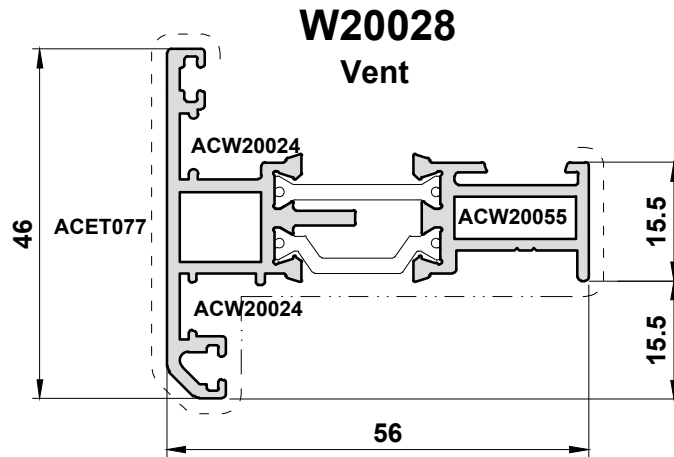
**W20026**  
Vent - Tape Glazing



Scale 1:1

Primary Visible Side

Secondary Visible Side

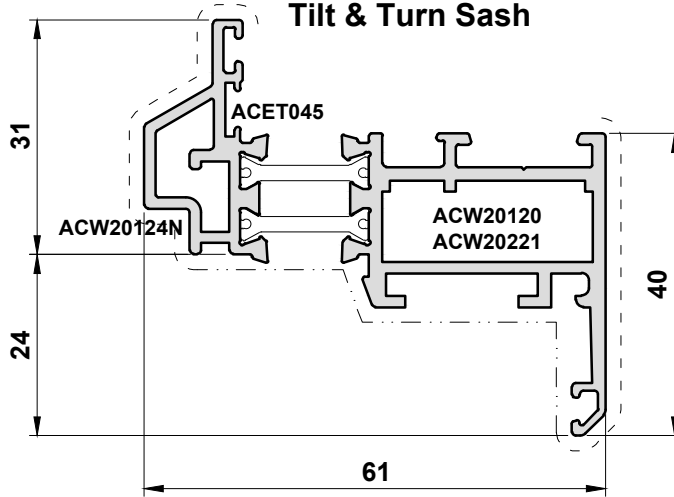


Scale 1:1

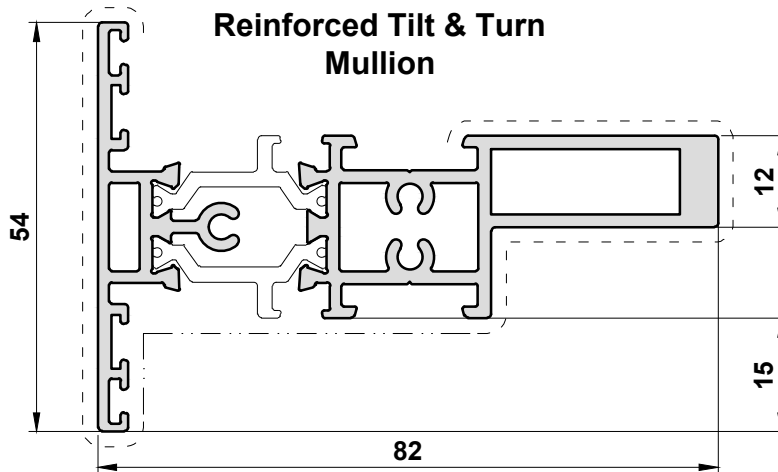
Primary Visible Side

Secondary Visible Side

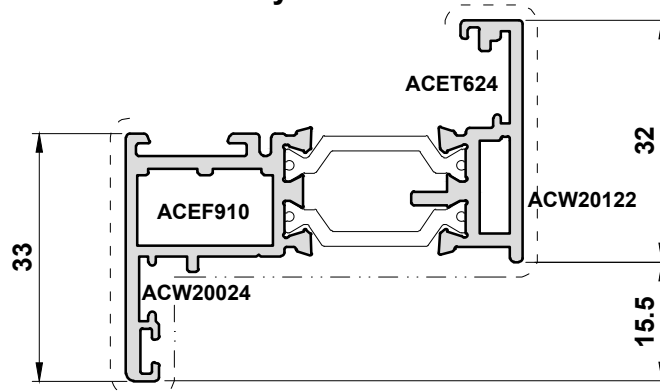
## W20120 Tilt & Turn Sash



## W20131 Reinforced Tilt & Turn Mullion



## W20122 Externally Beaded Sash

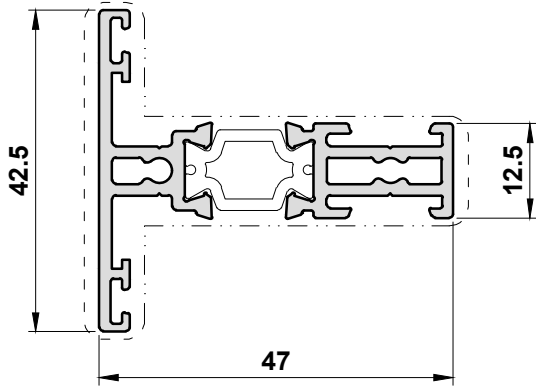


Scale 1:1

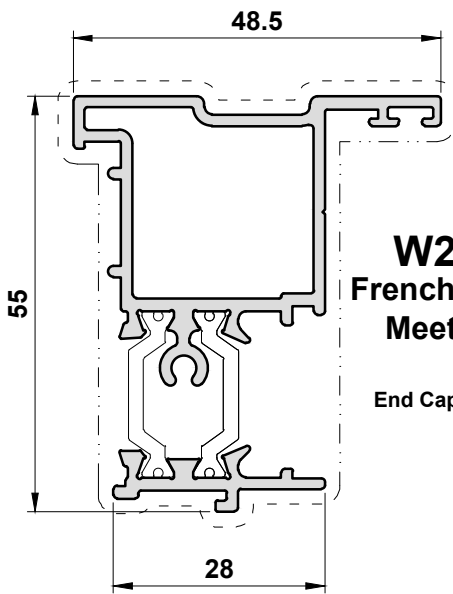
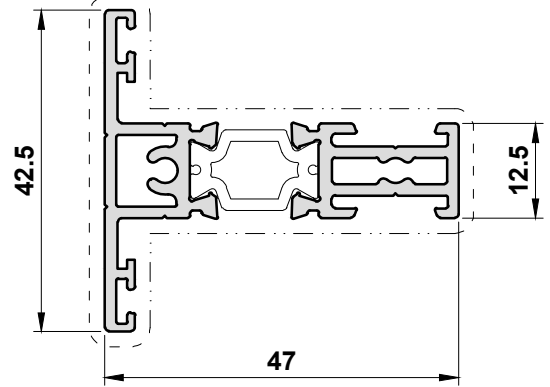
Primary Visible Side

Secondary Visible Side

**W20135**  
Transom



**W20136**  
Transom

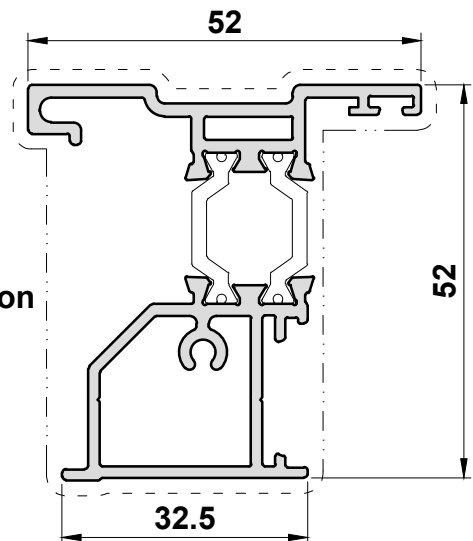


**W20048**  
French Casement  
Meeting Stile

End Cap = ACW20048

**W20244**  
French Casement Mullion

End Cap = ACW20224

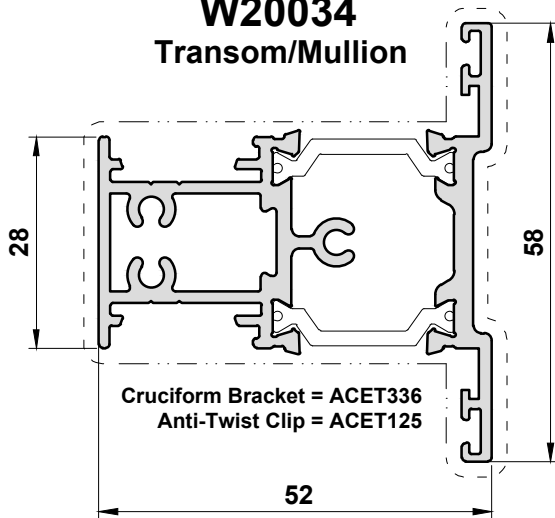


Scale 1:1

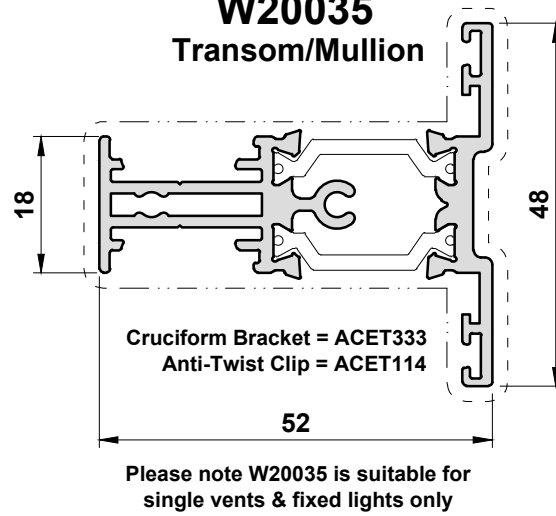
Primary Visible Side

Secondary Visible Side

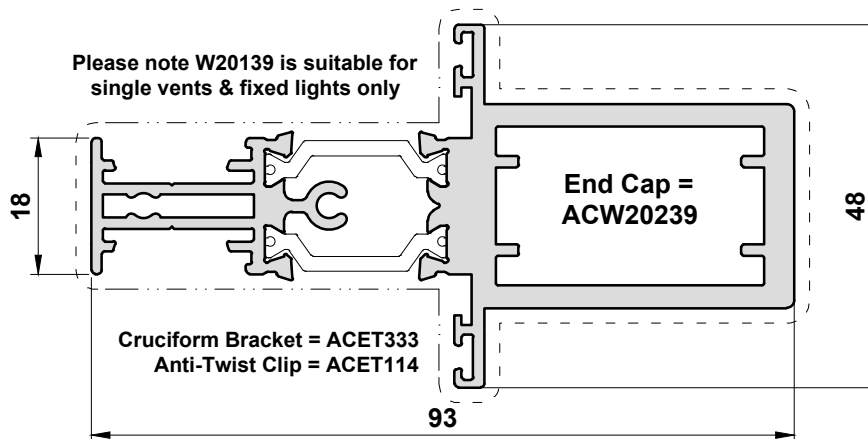
**W20034**  
Transom/Mullion



**W20035**  
Transom/Mullion



**W20139**  
Reinforced Transom/Mullion



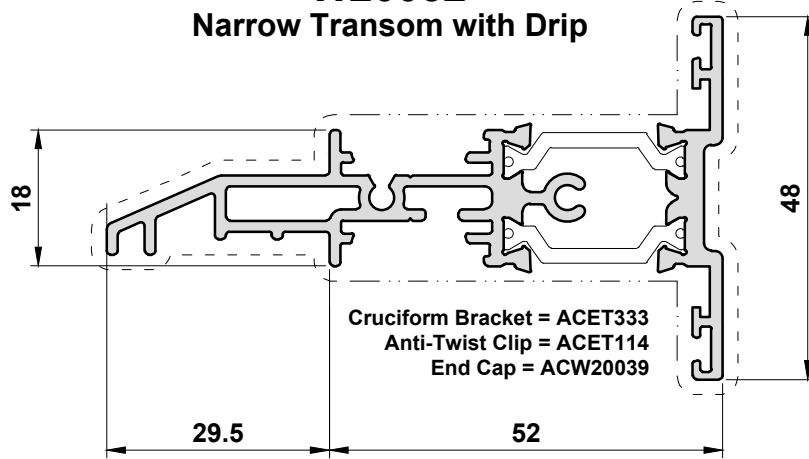
Scale 1:1



Primary Visible Side

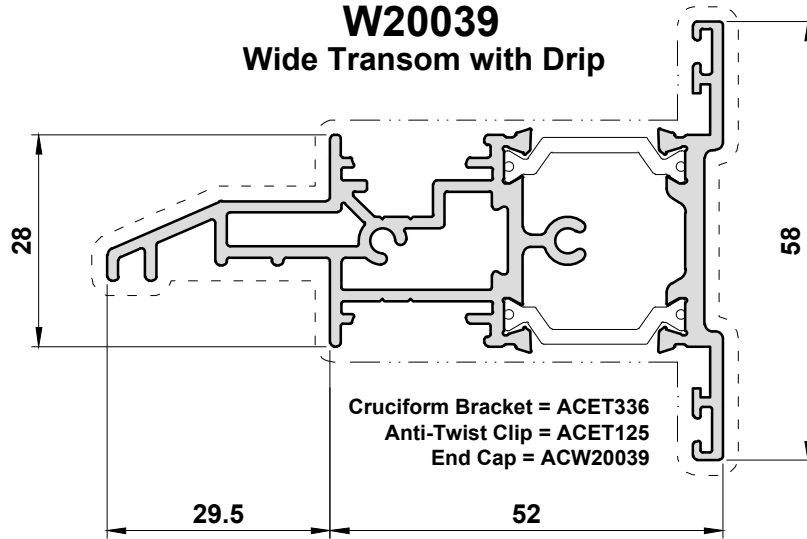
Secondary Visible Side

**W20032**  
Narrow Transom with Drip

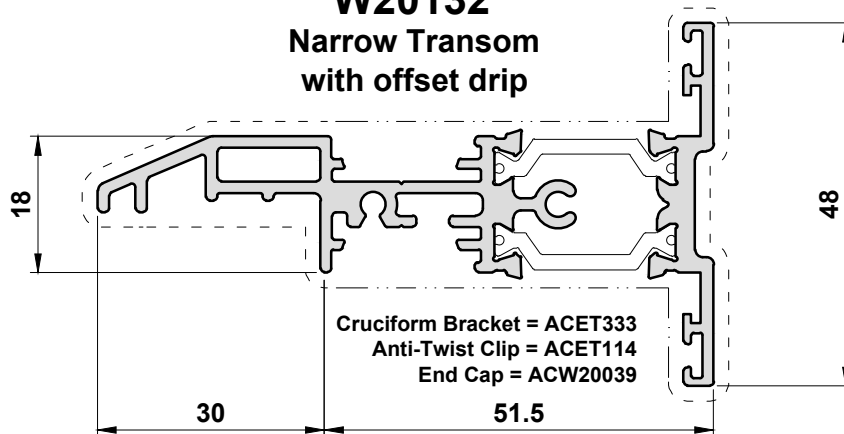


Please note W20032 is suitable for fixed lights only

**W20039**  
Wide Transom with Drip



**W20132**  
Narrow Transom with offset drip

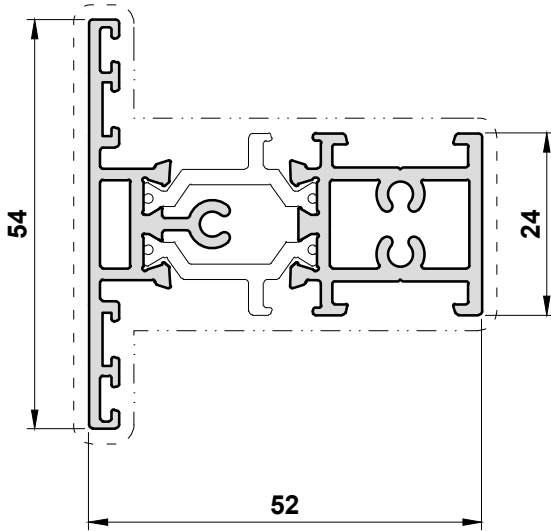


Scale 1:1

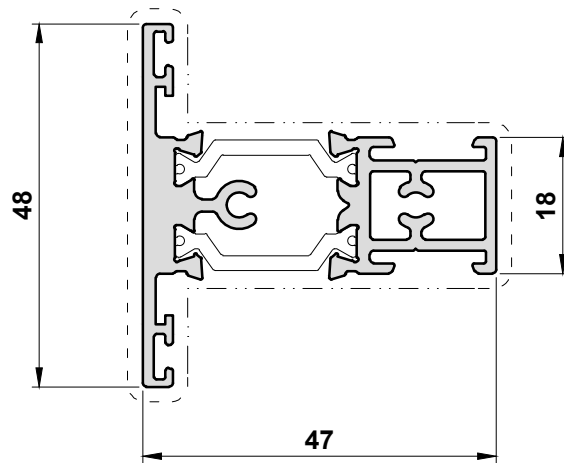
Primary Visible Side

Secondary Visible Side

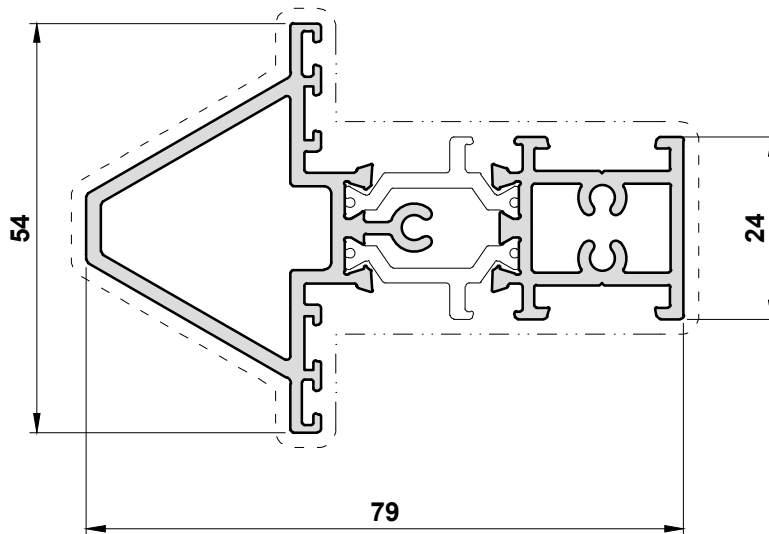
**W20130**  
Tilt & Turn Transom/Mullion



**W20133**  
Dummy Transom



**W20134**  
Tilt & Turn Transom/Mullion  
for W20114

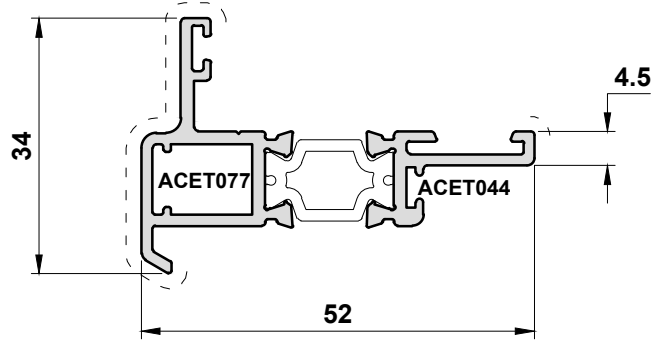


Scale 1:1

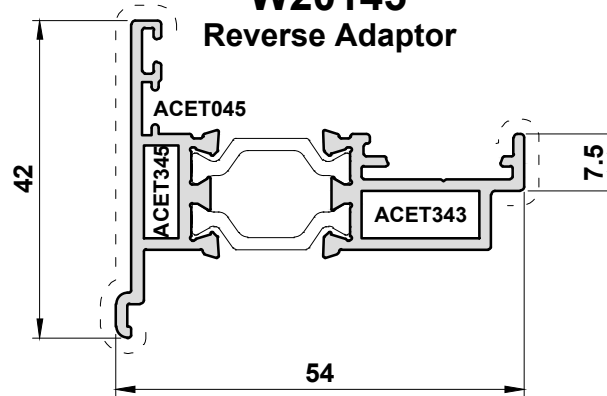
Primary Visible Side

Secondary Visible Side

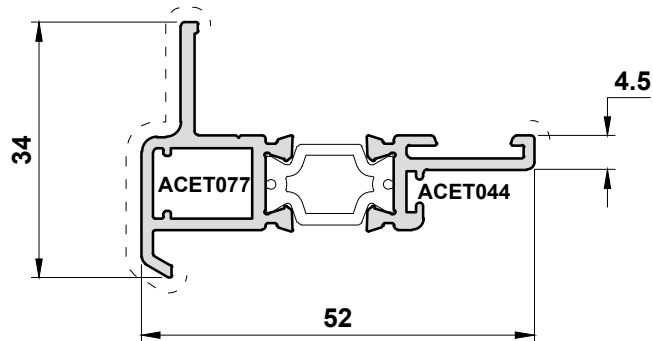
## W20047 Reverse Adaptor



## W20145 Reverse Adaptor



## W20147 Reverse Adaptor - Tape Glazing

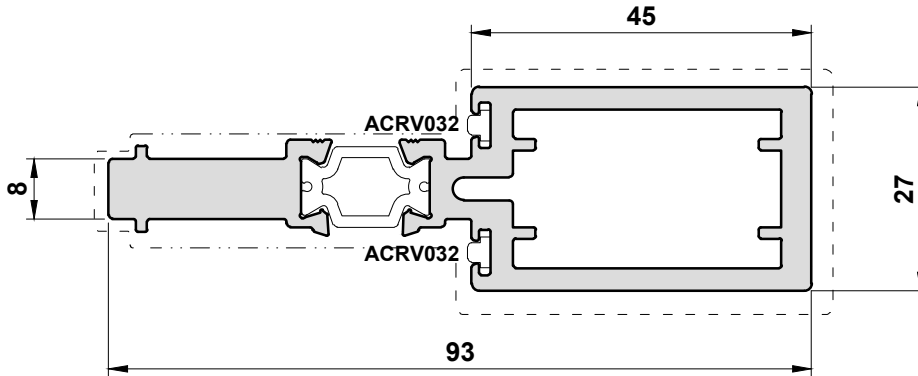


Scale 1:1

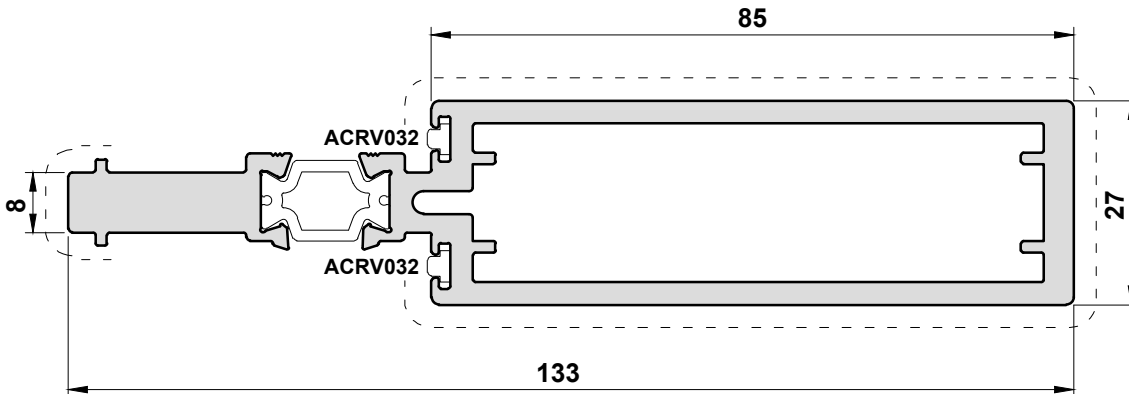
Primary Visible Side

Secondary Visible Side

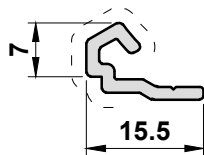
**W20051**  
Coupler / Mullion



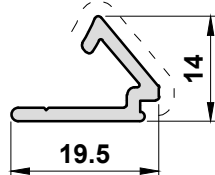
**W20054**  
Coupler / Mullion



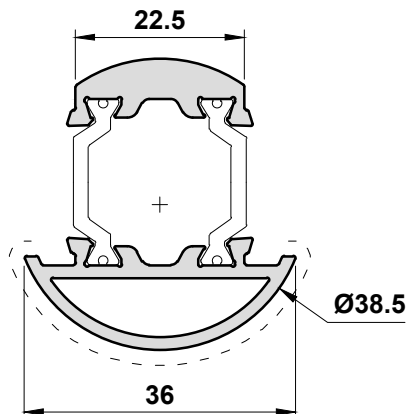
**W20065**  
Bay Pole Adaptor



**W20066**  
Bay Pole Adaptor



**W20069**  
W20015 Bay Pole



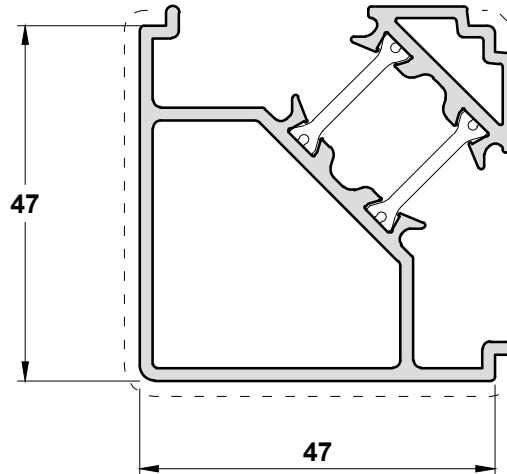
Scale 1:1

Primary Visible Side

Secondary Visible Side

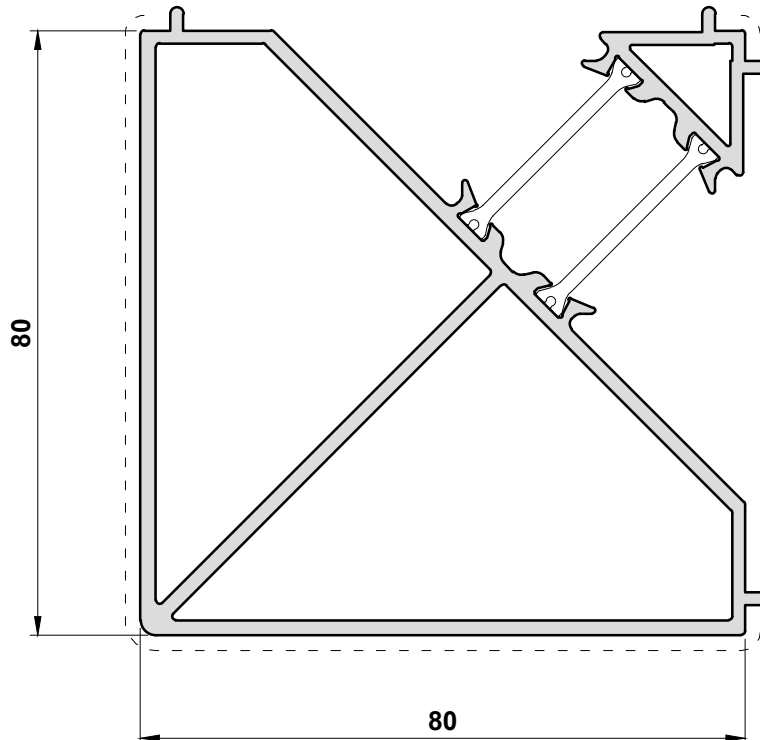
## ETC047

47mm 90° Corner Post  
W20015, W20110 & W20111 only



## UL048

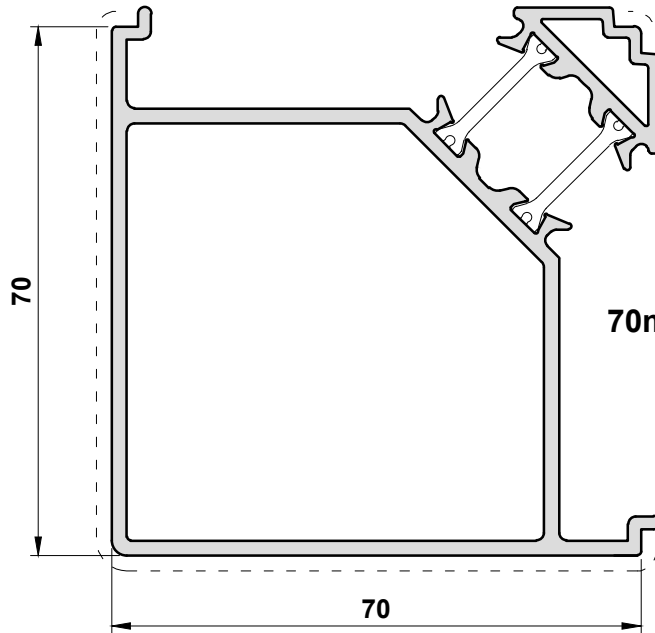
80mm 90° Corner Post  
W20114 Only



Scale 1:1

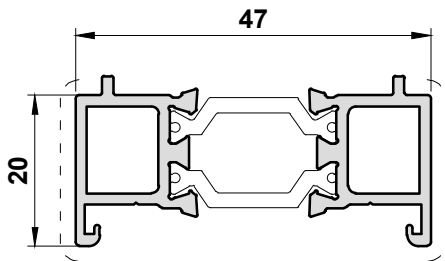
Primary Visible Side

Secondary Visible Side

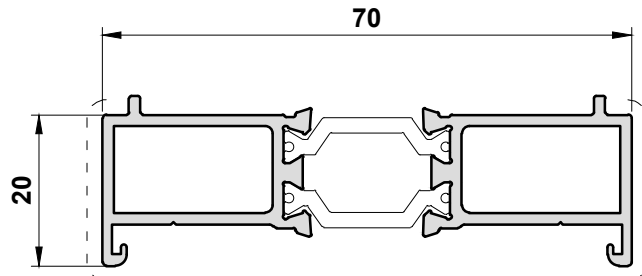


**ETC048**  
70mm 90° Corner Post

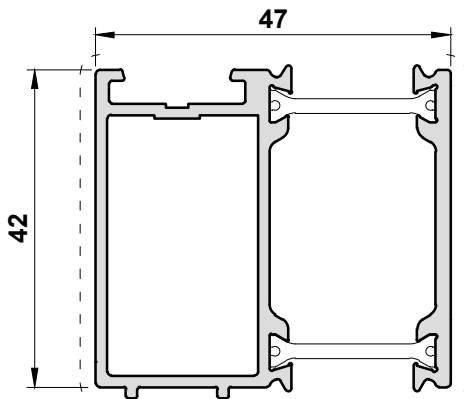
**ETD056**  
20mm Add On For  
47mm sections



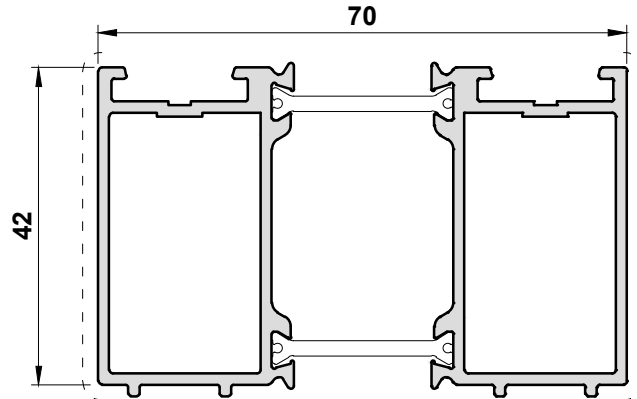
**ETD057**  
20mm Add On For W20017



**ETD058**  
42mm Head Extension



**DV515**  
42mm Head Extension



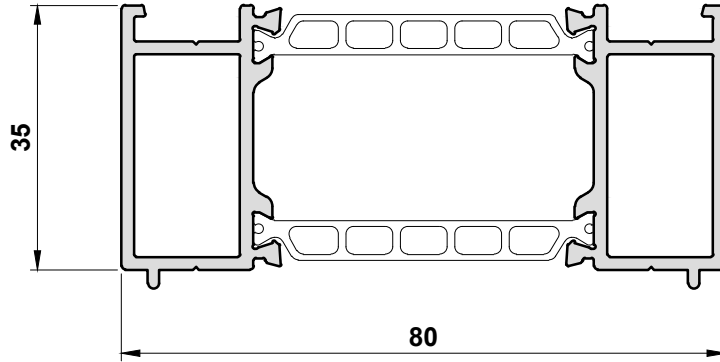
Scale 1:1

Primary Visible Side

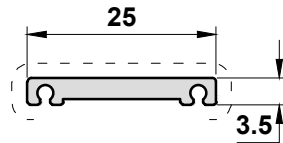
Secondary Visible Side

**UL056**

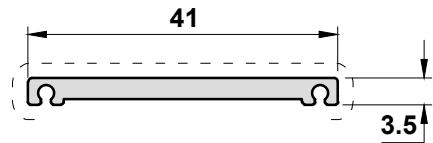
**35mm Head Extension For W20114**



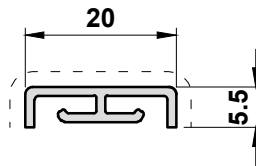
**W20165**  
25mm Astragal Bar



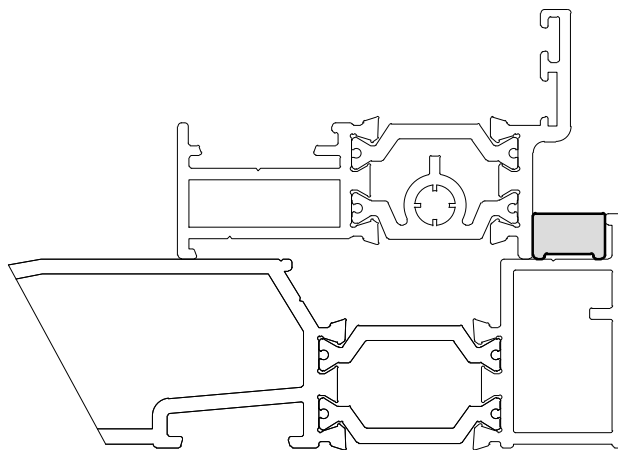
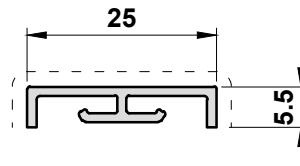
**W20166**  
41mm Astragal Bar



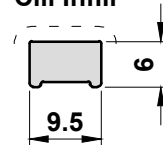
**UN3220**  
Astragal Bar



**UN3225**  
Astragal Bar



**SPD750**  
Cill Infill

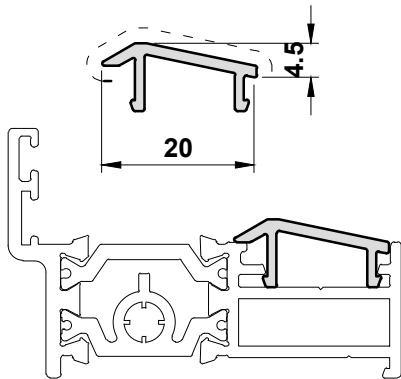


Scale 1:1

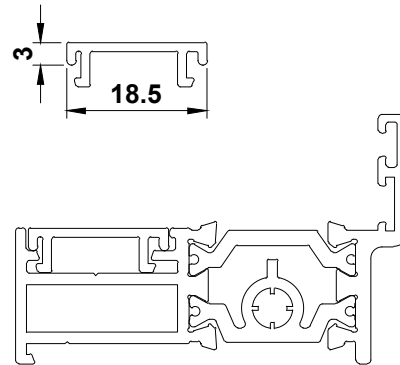
Primary Visible Side

Secondary Visible Side

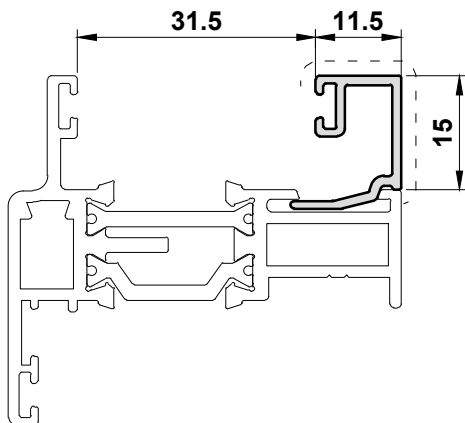
**W20175**  
Threshold Infill



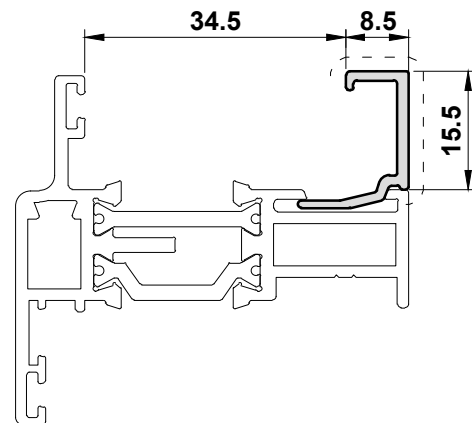
**PCX41**  
Outer Frame Infill



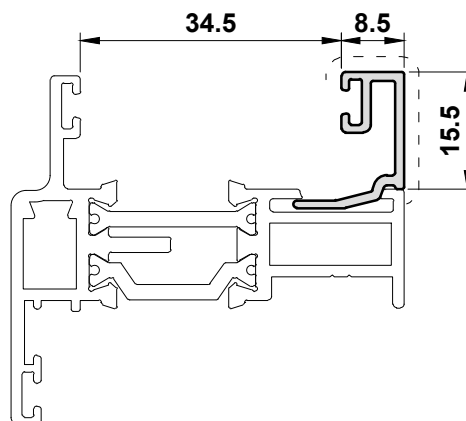
**W20168N**  
Internal Square Bead



**W20170N**  
Internal Square Bead  
(Direct Fix Handle to Bead)



**W20171N**  
Internal Square Bead  
(Handle Blocks required when using this Bead)



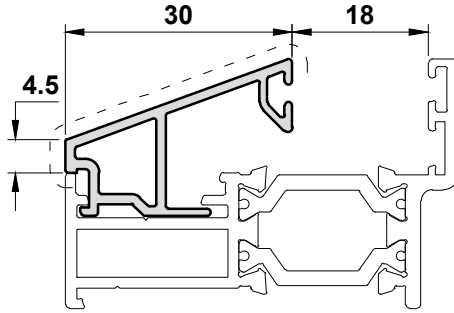
Scale 1:1



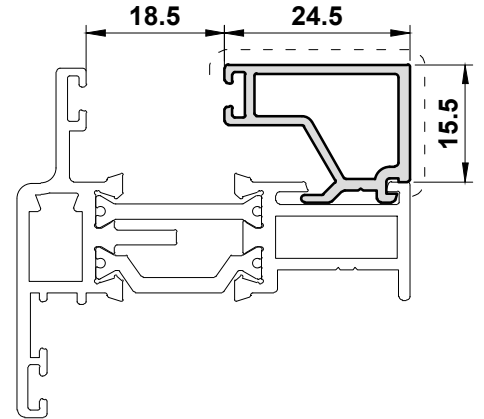
Primary Visible Side

Secondary Visible Side

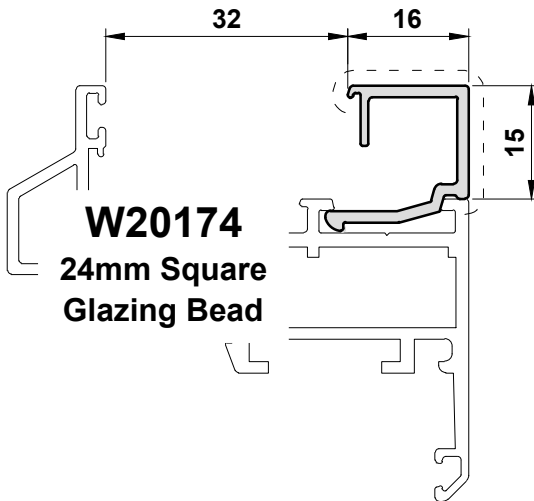
**W20172**  
External Sloped Bead



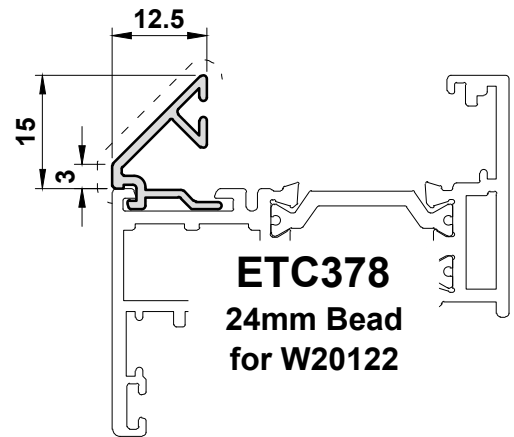
**W20173**  
Internal Square Bead



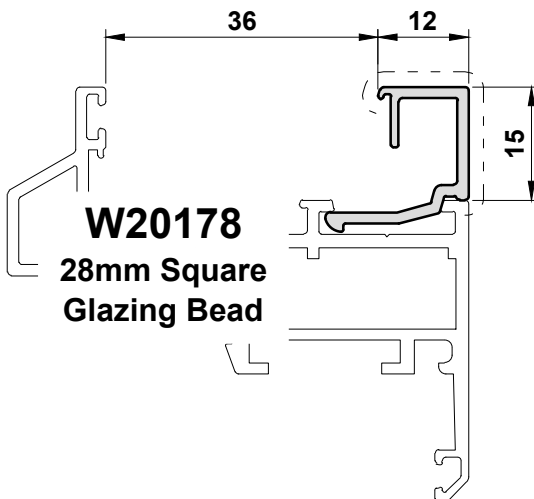
**W20174**  
24mm Square  
Glazing Bead



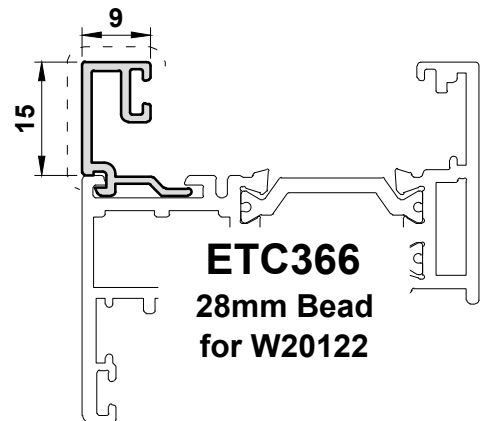
**ETC378**  
24mm Bead  
for W20122



**W20178**  
28mm Square  
Glazing Bead



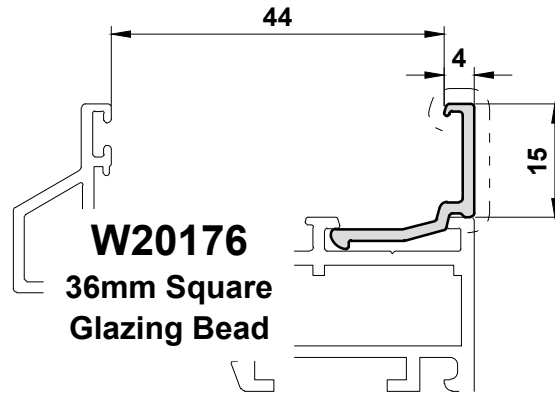
**ETC366**  
28mm Bead  
for W20122



Scale 1:1

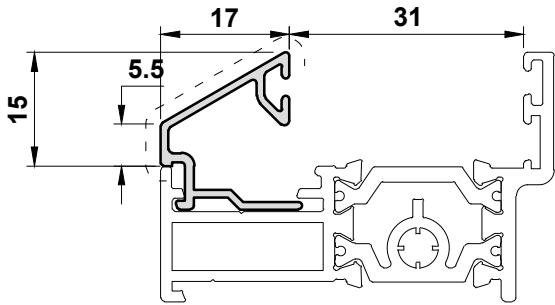
Primary Visible Side

Secondary Visible Side



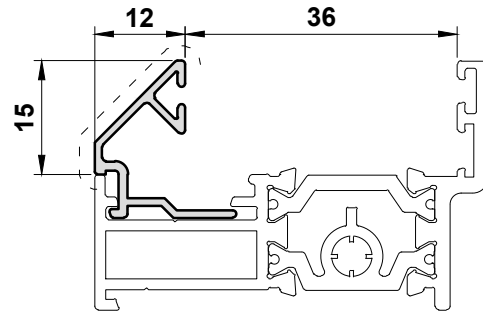
**ETC364**

24mm Chamfered Bead



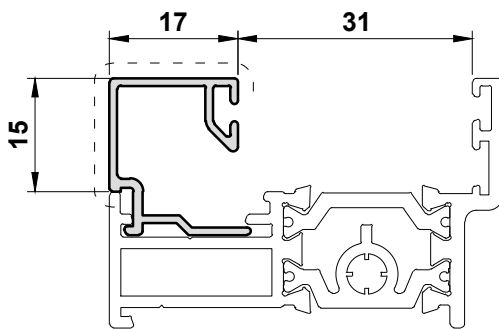
**W20161**

28mm Chamfered Bead



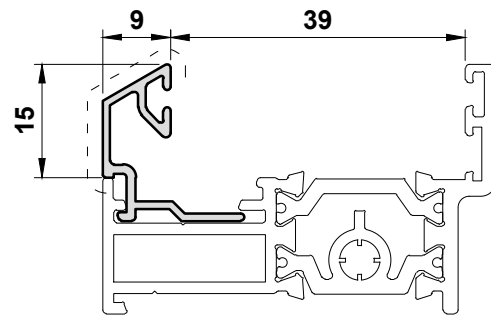
**ETC370**

24mm Square Bead



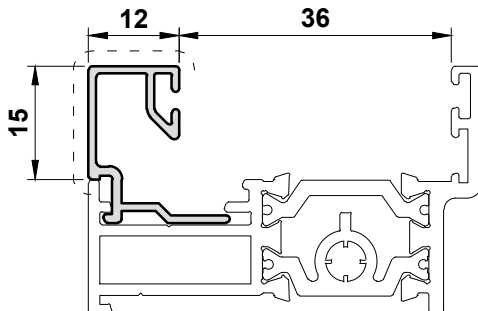
**ETC379**

32mm Chamfered Bead



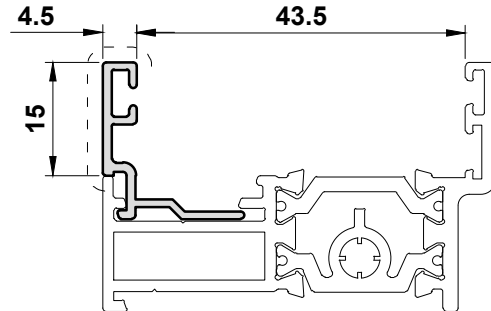
**W20162**

28mm Square Bead



**ETC376**

36mm Square Bead

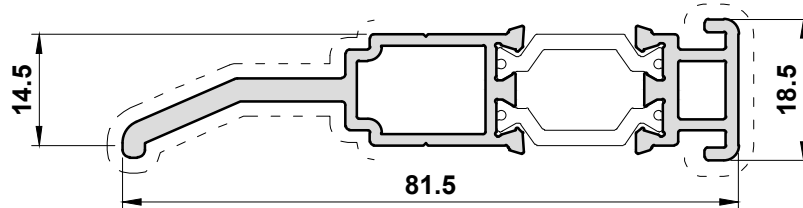


Scale 1:1

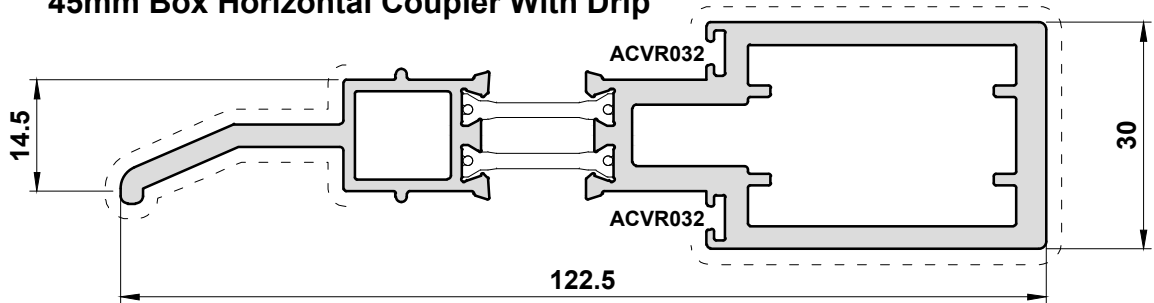
Primary Visible Side

Secondary Visible Side

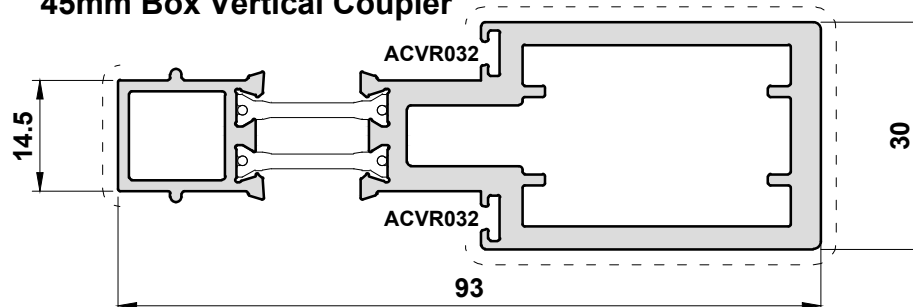
**W20485**  
Horizontal Coupler with Drip Bar



**W20486**  
45mm Box Horizontal Coupler With Drip



**W20487**  
45mm Box Vertical Coupler

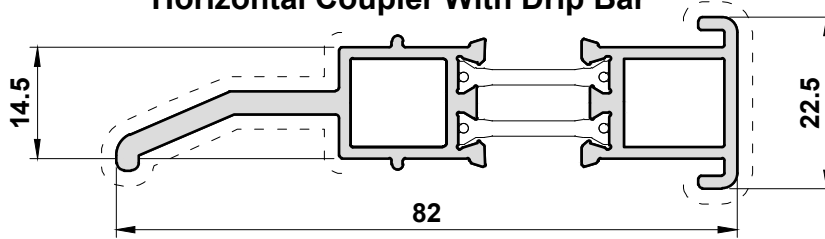


Scale 1:1

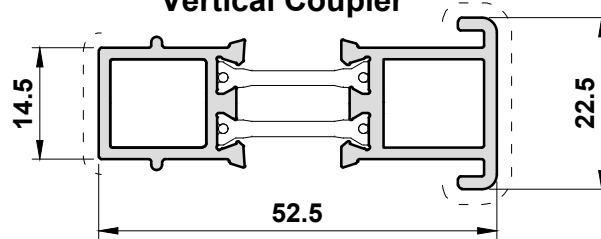
Primary Visible Side

Secondary Visible Side

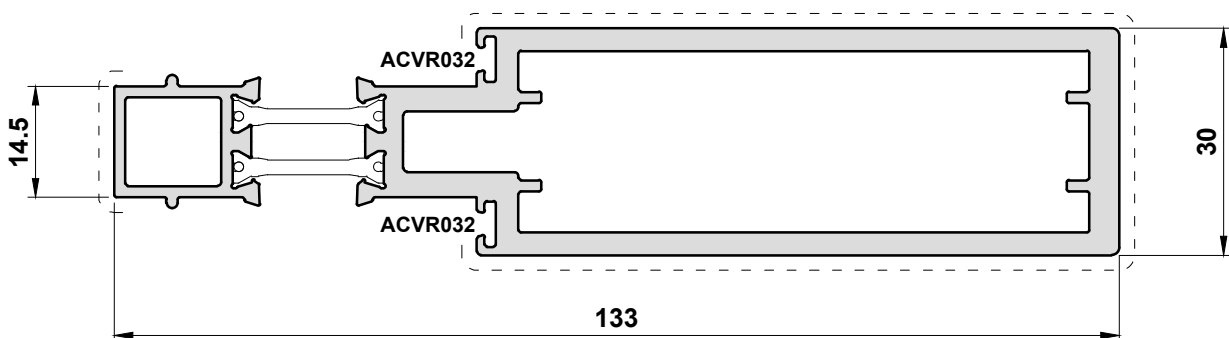
**W20488**  
Horizontal Coupler With Drip Bar



**W20489**  
Vertical Coupler



**W20490**  
Coupler



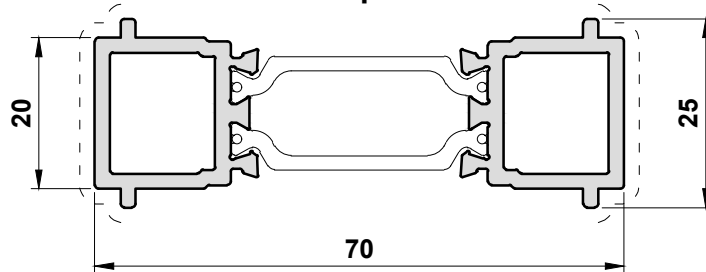
Scale 1:1

Primary Visible Side

Secondary Visible Side

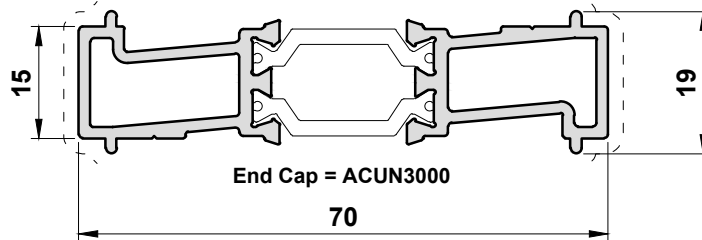
## ETC853

Coupler



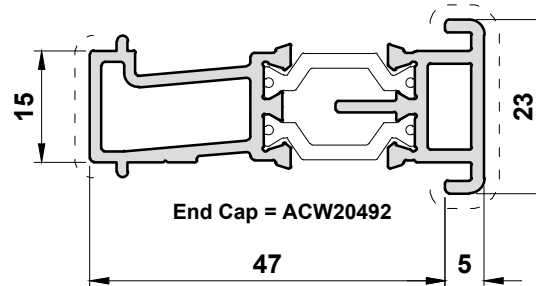
## UN3000

Horizontal Coupler



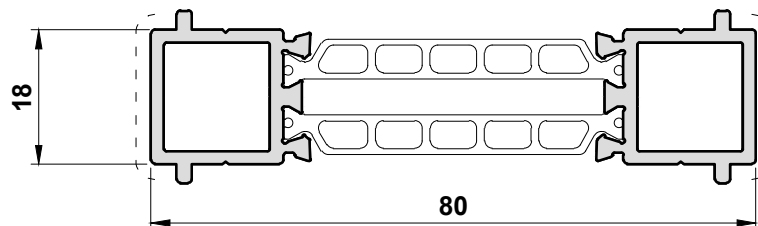
## W20492

47mm Horizontal Coupler



## UL055

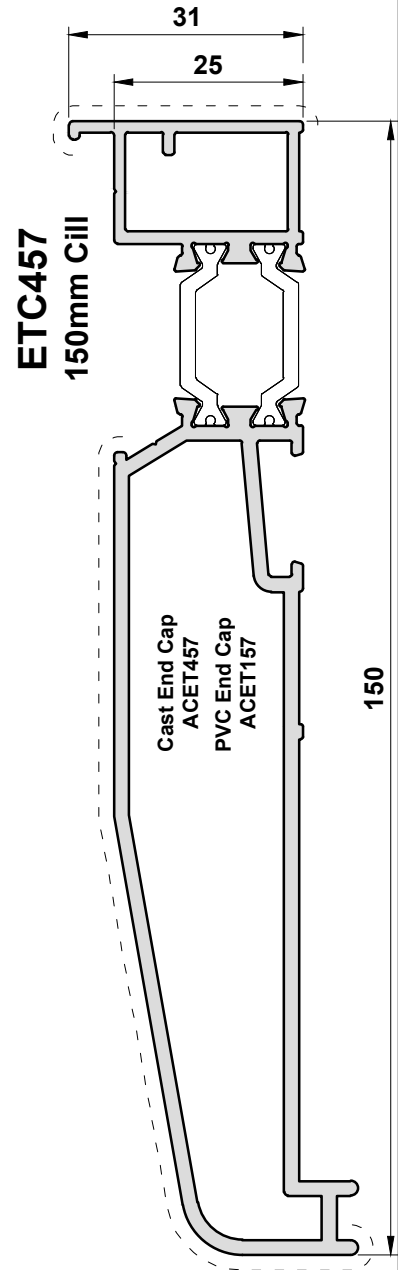
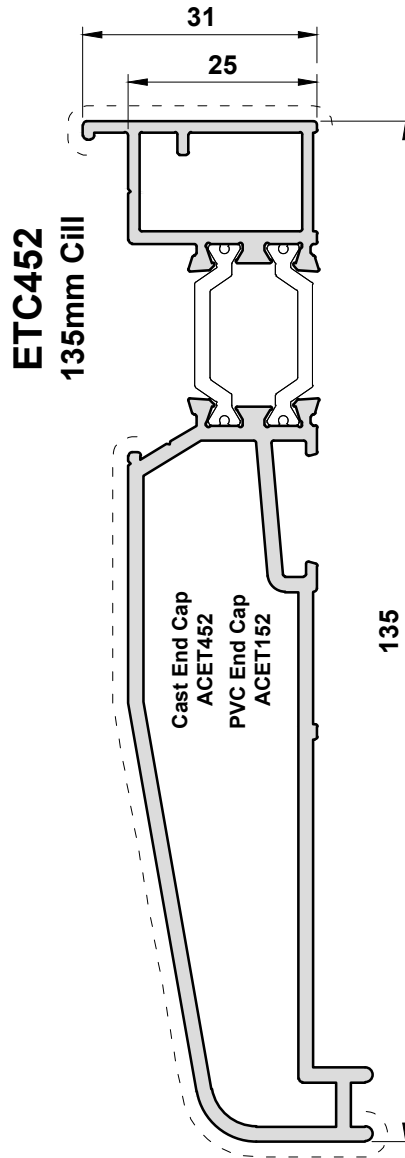
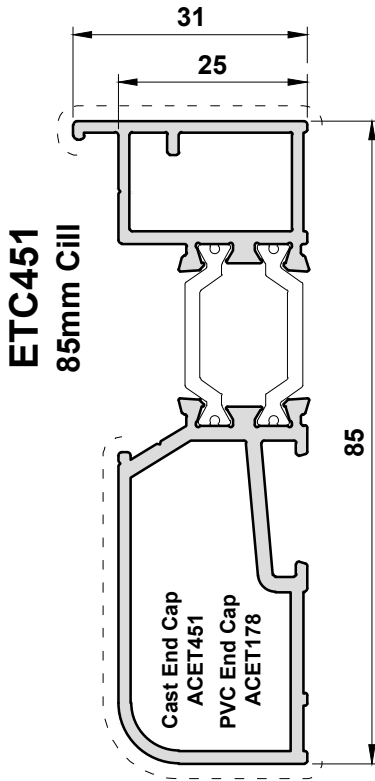
Coupler For W20114



Scale 1:1

Primary Visible Side

Secondary Visible Side

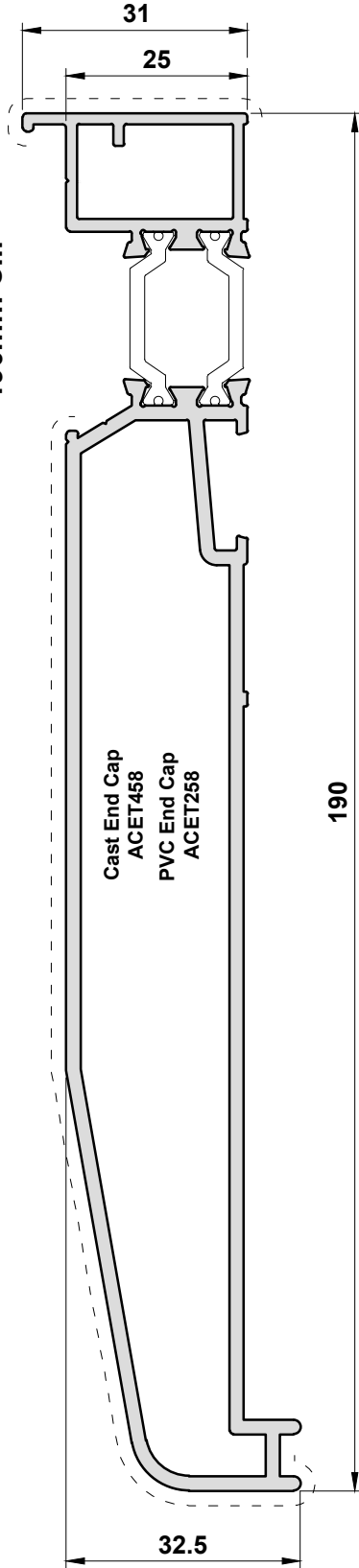


Scale 1:1

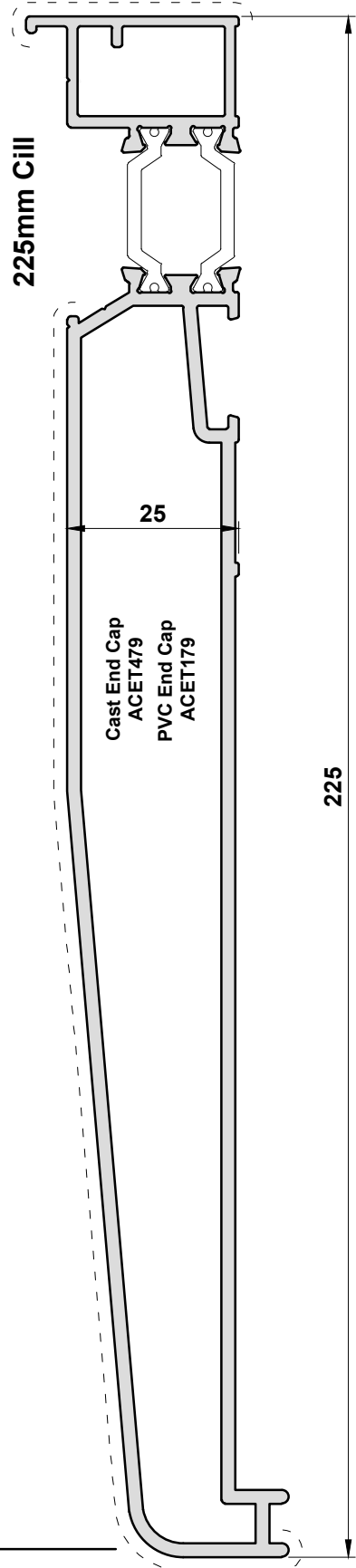
Primary Visible Side

Secondary Visible Side

**ETC458**  
190mm Cill



**ETC479N**  
225mm Cill

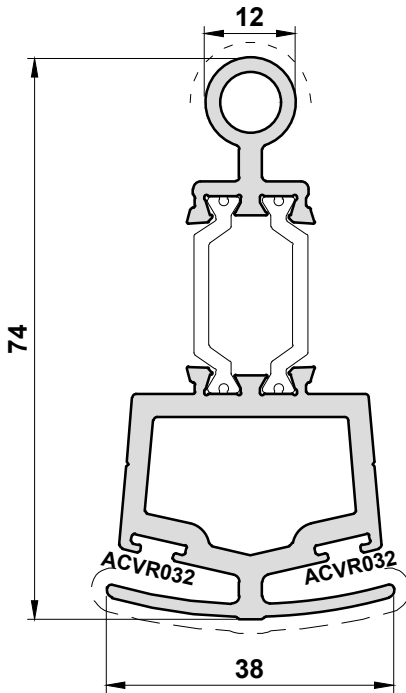


Scale 1:1

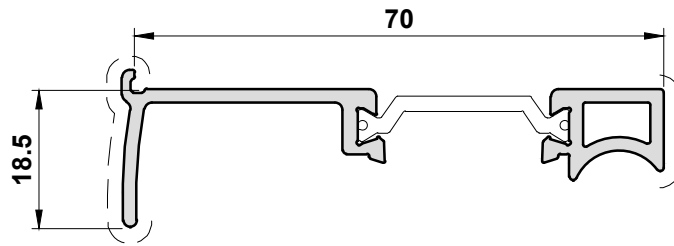
Primary Visible Side

Secondary Visible Side

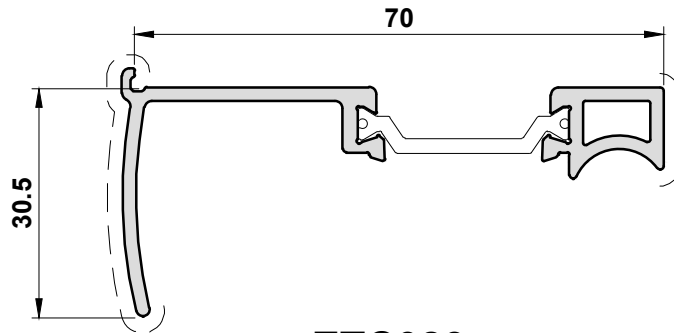
**ETC080**  
Bay Pole



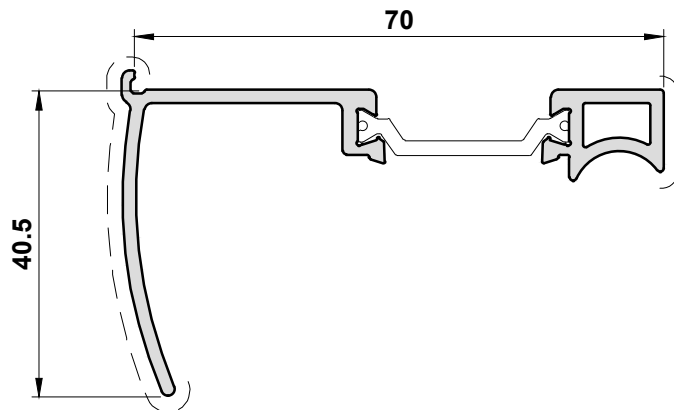
**ETC081**  
169° - 150°  
Bay Pole Adaptor



**ETC082**  
149° - 130°  
Bay Pole Adaptor



**ETC083**  
129° - 115°  
Bay Pole Adaptor



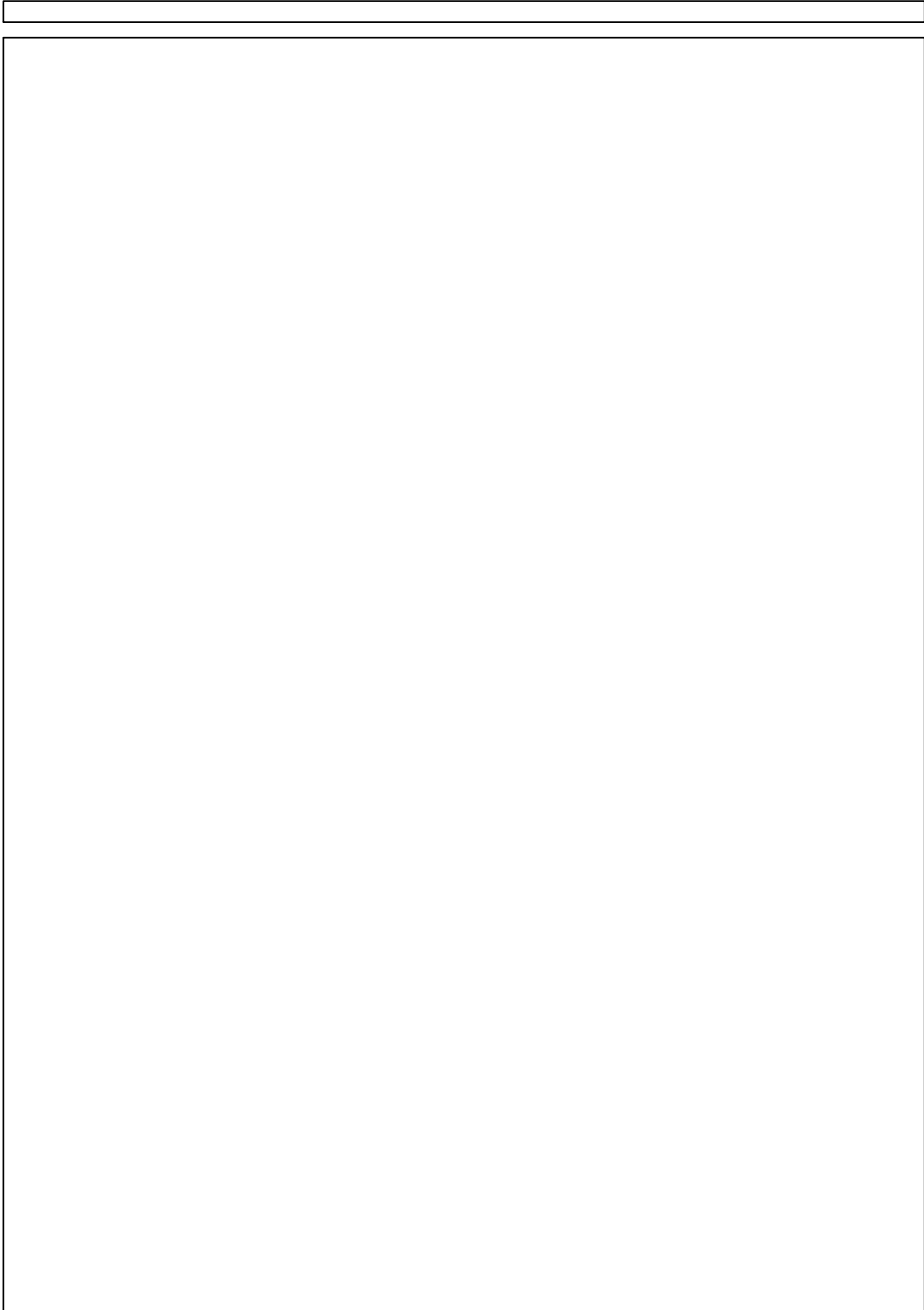
Scale 1:1



**Section B**

**Accessories**

**Photos & Drawings**



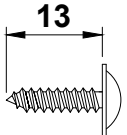
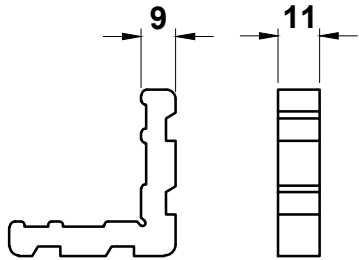
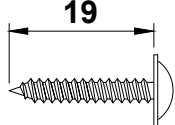
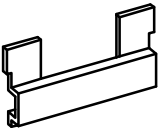



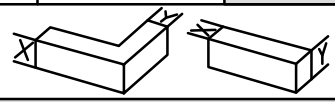
ACCESSORIES : PHOTOS & DRAWINGS

Image	Part Code	Pack	Unit	Application	Colour	
	<b>ACEF910</b>  Crimping Cleat	24	pack	W20122	MF	✓
					SA	
					KL	
					HP	
					SSC	
					SMC	
					W	
					Z	
					PC	
						<b>ACET041</b>  Cill Nose Bracket
SA						
KL						
HP						
SSC						
SMC						
W						
Z						
PC						
	<b>ACET044</b>  Stainless Steel Chevron	100	pack	W20017 W20047 W20126 W20047 W20147		
					SA	
					KL	
					HP	
					SSC	
					SMC	
					W	
					Z	
					PC	
						<b>ACET045</b>  Stainless Steel Chevron
SA						
KL						
HP						
SSC						
SMC						
W						
Z						
PC						
	<b>ACET060</b>  No. 7 x 25 S/S Self Tapping CSK Screw	100	pack			
					SA	
					KL	
					HP	
					SSC	
					SMC	
					W	
					Z	
					PC	
					<p>T-BARS ACVG65=2.5mm ACVG66=3.0mm ACVL150=4.0mm</p> <p>Screw (Grub)</p>	MF = Mill Finish SA = Silver Anodised KL = Basic Colour HP = Special Colour SSC = Smooth Satin Chrome SMC = Smokey Chrome PC = Polished Chrome

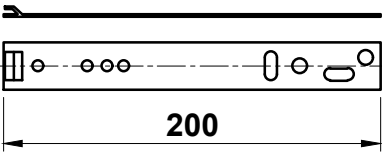
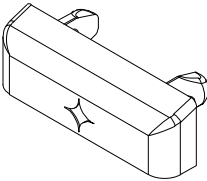
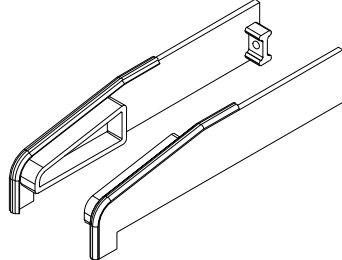
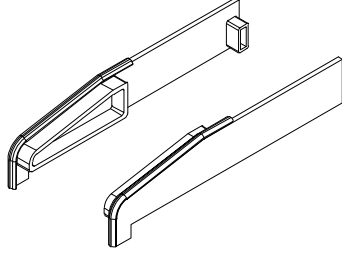
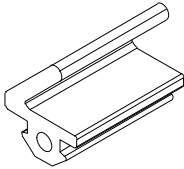

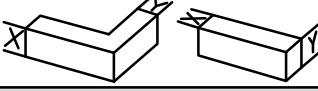
ACCESSORIES : PHOTOS & DRAWINGS

Image	Part Code	Pack	Unit	Application	Colour																		
	<b>ACET062</b>  No. 10 x 50 S/S Self Tapping CSK Screw	100	pack		<table border="1"> <tr><td>MF</td><td>✓</td></tr> <tr><td>SA</td><td></td></tr> <tr><td>KL</td><td></td></tr> <tr><td>HP</td><td></td></tr> <tr><td>SSC</td><td></td></tr> <tr><td>SMC</td><td></td></tr> <tr><td>W</td><td></td></tr> <tr><td>Z</td><td></td></tr> <tr><td>PC</td><td></td></tr> </table>	MF	✓	SA		KL		HP		SSC		SMC		W		Z		PC	
MF	✓																						
SA																							
KL																							
HP																							
SSC																							
SMC																							
W																							
Z																							
PC																							
	<b>ACET064</b>  No. 8 x 16 S/S Self Tapping CSK Screw	100	pack		<table border="1"> <tr><td>MF</td><td>✓</td></tr> <tr><td>SA</td><td></td></tr> <tr><td>KL</td><td></td></tr> <tr><td>HP</td><td></td></tr> <tr><td>SSC</td><td></td></tr> <tr><td>SMC</td><td></td></tr> <tr><td>W</td><td></td></tr> <tr><td>Z</td><td></td></tr> <tr><td>PC</td><td></td></tr> </table>	MF	✓	SA		KL		HP		SSC		SMC		W		Z		PC	
MF	✓																						
SA																							
KL																							
HP																							
SSC																							
SMC																							
W																							
Z																							
PC																							
	<b>ACET066</b>  No. 7 x 38 S/S Self Tapping CSK Screw	100	pack	<b>W20032</b> <b>W20034</b> <b>W20035</b> <b>W20039</b> <b>W20132</b> <b>W20139</b>	<table border="1"> <tr><td>MF</td><td>✓</td></tr> <tr><td>SA</td><td></td></tr> <tr><td>KL</td><td></td></tr> <tr><td>HP</td><td></td></tr> <tr><td>SSC</td><td></td></tr> <tr><td>SMC</td><td></td></tr> <tr><td>W</td><td></td></tr> <tr><td>Z</td><td></td></tr> <tr><td>PC</td><td></td></tr> </table>	MF	✓	SA		KL		HP		SSC		SMC		W		Z		PC	
MF	✓																						
SA																							
KL																							
HP																							
SSC																							
SMC																							
W																							
Z																							
PC																							
	<b>ACET068</b>  No. 8 x 10 S/S Self Tapping Flange Screw	100	pack	Friction Hinges	<table border="1"> <tr><td>MF</td><td>✓</td></tr> <tr><td>SA</td><td></td></tr> <tr><td>KL</td><td></td></tr> <tr><td>HP</td><td></td></tr> <tr><td>SSC</td><td></td></tr> <tr><td>SMC</td><td></td></tr> <tr><td>W</td><td></td></tr> <tr><td>Z</td><td></td></tr> <tr><td>PC</td><td></td></tr> </table>	MF	✓	SA		KL		HP		SSC		SMC		W		Z		PC	
MF	✓																						
SA																							
KL																							
HP																							
SSC																							
SMC																							
W																							
Z																							
PC																							
	<b>ACET069</b>  M5 x 12 S/S CSK Machine Screw	100	pack	ACET165	<table border="1"> <tr><td>MF</td><td>✓</td></tr> <tr><td>SA</td><td></td></tr> <tr><td>KL</td><td></td></tr> <tr><td>HP</td><td></td></tr> <tr><td>SSC</td><td></td></tr> <tr><td>SMC</td><td></td></tr> <tr><td>W</td><td></td></tr> <tr><td>Z</td><td></td></tr> <tr><td>PC</td><td></td></tr> </table>	MF	✓	SA		KL		HP		SSC		SMC		W		Z		PC	
MF	✓																						
SA																							
KL																							
HP																							
SSC																							
SMC																							
W																							
Z																							
PC																							
<p>T-BARS ACVG66=2.5mm ACVG66=3.0mm ACVL150=4.0mm</p> <p>Screw (Grub)</p>	MF = Mill Finish SA = Silver Anodised KL = Basic Colour HP = Special Colour SSC = Smooth Satin Chrome SMC = Smokey Chrome PC = Polished Chrome	W = White Z = Black																					

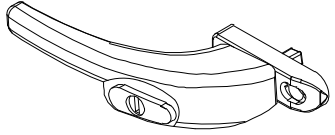
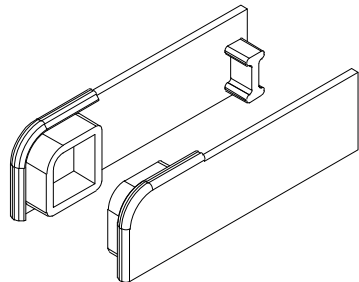
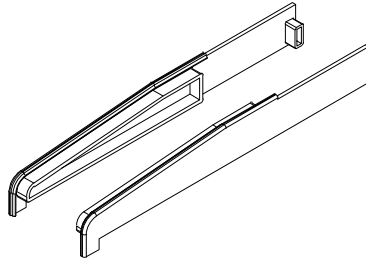
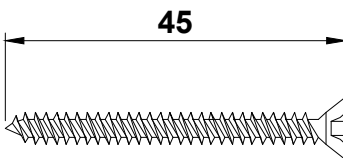
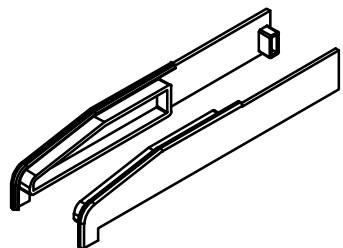



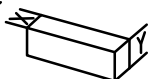
ACCESSORIES : PHOTOS & DRAWINGS

Image	Part Code	Pack	Unit	Application	Colour	
	<b>ACET070</b>  No. 8 x 13 S/S Self Tapping Flange Screw	100	pack	Friction Hinges	MF	✓
					SA	
					KL	
					HP	
					SSC	
					SMC	
					W	
					Z	
					PC	
	<b>ACET077</b>  Corner Cleat	24	pack	<b>W20018</b> <b>W20024</b> <b>W20028</b> <b>W20029</b> <b>W20047</b> <b>W20147</b>	MF	✓
					SA	
					KL	
					HP	
					SSC	
					SMC	
					W	
					Z	
					PC	
	<b>ACET099</b>  No. 8 x 19 S/S Self Tapping Flange Screw	100	pack	Friction Hinges	MF	✓
					SA	
					KL	
					HP	
					SSC	
					SMC	
					W	
					Z	
					PC	
	<b>ACET114</b>  Stainless Steel Anti-Twist Clip	100	pack	<b>W20032</b> <b>W20035</b>	MF	✓
					SA	
					KL	
					HP	
					SSC	
					SMC	
					W	
					Z	
					PC	
	<b>ACET125</b>  Stainless Steel Anti-Twist Clip	100	pack	<b>W20034</b> <b>W20039</b>	MF	✓
					SA	
					KL	
					HP	
					SSC	
					SMC	
					W	
					Z	
					PC	
 T-BARS ACVG66=2.5mm ACVG66=3.0mm ACVL150=4.0mm	 Screw (Grub)	<b>MF</b> = Mill Finish <b>SA</b> = Silver Anodised <b>KL</b> = Basic Colour <b>HP</b> = Special Colour <b>SSC</b> = Smooth Satin Chrome <b>SMC</b> = Smokey Chrome <b>PC</b> = Polished Chrome	<b>W</b> = White <b>Z</b> = Black			

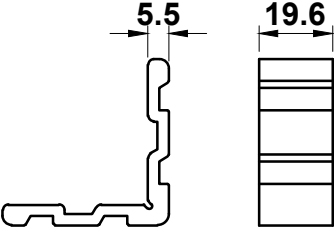
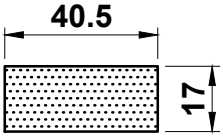
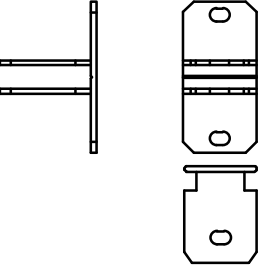
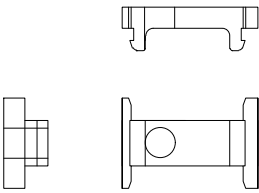
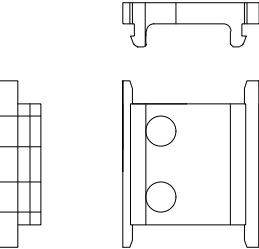

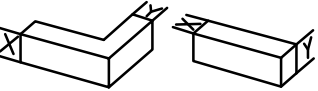
**ACCESSORIES : PHOTOS & DRAWINGS**

Image	Part Code	Pack	Unit	Application	Colour
	<b>ACET130</b>  <b>Galvanised Steel Fixing Strap</b>  200mm x 25mm x 1.5mm	100	pack	<b>W20015</b> <b>W20016</b> <b>W20017</b> <b>W20018</b> <b>W20110</b>	MF <input checked="" type="checkbox"/>
					SA <input type="checkbox"/>
	<b>ACET131</b>  <b>Drainage Cap</b>  for colour match drainage cap - see ACET432	100	pack		KL <input type="checkbox"/>
					HP <input type="checkbox"/>
	<b>ACET152</b>  <b>PVC Cill End Caps</b>	10	pair	<b>ETC452</b>	SSC <input type="checkbox"/>
					SMC <input type="checkbox"/>
	<b>ACET157</b>  <b>PVC Cill End Caps</b>	10	pair	<b>ETC457</b>	W <input checked="" type="checkbox"/>
					Z <input checked="" type="checkbox"/>
	<b>ACET160R</b>  <b>EPDM Flipper Gasket</b>	100	m	<b>W20015</b> <b>W20027</b> <b>W20127</b>	PC <input type="checkbox"/>
 <p>T-BARS ACVG65=2.5mm ACVG66=3.0mm ACVL150=4.0mm</p> <p>Screw (Grub)</p>	MF = Mill Finish SA = Silver Anodised KL = Basic Colour HP = Special Colour SSC = Smooth Satin Chrome SMC = Smokey Chrome PC = Polished Chrome	W = White Z = Black			

ACCESSORIES : PHOTOS & DRAWINGS

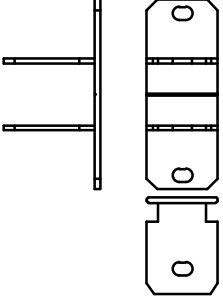
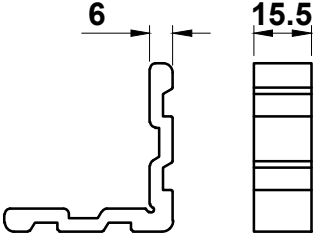
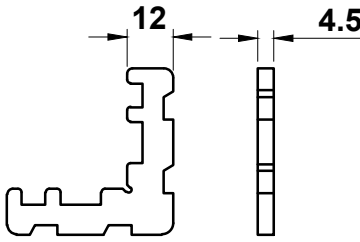
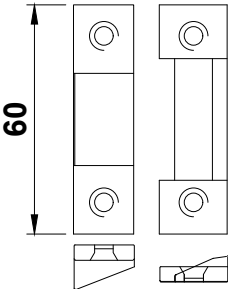
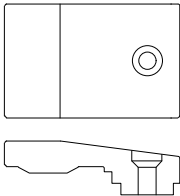


Image	Part Code	Pack	Unit	Application	Colour	
	<b>ACET165</b>  Espagnolette Handle 9mm Spindle	1	each	<b>ACW201</b> <b>ACW202</b> <b>ACW203</b> <b>ACW204</b> <b>ACW205</b>	MF	✓
					SA	✓
					KL	
					HP	
					SSC	
					SMC	
					W	✓
					Z	✓
					PC	✓
	<b>ACET178</b>  PVC Cill End Caps	10	pair	<b>ETC451</b>	MF	
					SA	
					KL	
					HP	
					SSC	
					SMC	
					W	✓
					Z	✓
					PC	
	<b>ACET179</b>  PVC Cill End Caps	10	pair	<b>ETC479</b>	MF	
					SA	
					KL	
					HP	
					SSC	
					SMC	
					W	✓
					Z	✓
					PC	
	<b>ACET190</b>  4.3 x 45mm CSK Polyamide Screw	1000	Pack	<b>W20048</b> <b>W20025</b> <b>W20027</b>	MF	
					SA	
					KL	
					HP	
					SSC	
					SMC	
					W	
					Z	✓
					PC	
	<b>ACET258</b>  PVC Cill End Cap	10	pair	<b>ETC458</b>	MF	
					SA	
					KL	
					HP	
					SSC	
					SMC	
					W	✓
					Z	✓
					PC	
 T-BARS ACVG66=2.5mm ACVG66=3.0mm ACVL150=4.0mm	 Screw (Grub)	MF = Mill Finish SA = Silver Anodised KL = Basic Colour HP = Special Colour SSC = Smooth Satin Chrome SMC = Smokey Chrome PC = Polished Chrome	W = White Z = Black	 		

ACCESSORIES : PHOTOS & DRAWINGS

Image	Part Code	Pack	Unit	Application	Colour																		
	<b>ACET310</b>  Corner Cleat	24	pack	<b>W20015</b> <b>W20016</b> <b>W20017</b> <b>W20111</b> <b>W20112</b>	<table border="1"> <tr><td>MF</td><td>✓</td></tr> <tr><td>SA</td><td></td></tr> <tr><td>KL</td><td></td></tr> <tr><td>HP</td><td></td></tr> <tr><td>SSC</td><td></td></tr> <tr><td>SMC</td><td></td></tr> <tr><td>W</td><td></td></tr> <tr><td>Z</td><td></td></tr> <tr><td>PC</td><td></td></tr> </table>	MF	✓	SA		KL		HP		SSC		SMC		W		Z		PC	
MF	✓																						
SA																							
KL																							
HP																							
SSC																							
SMC																							
W																							
Z																							
PC																							
	<b>ACET313</b>  Foam Infill 1250mm Lengths	1	each	<b>W20111</b>	<table border="1"> <tr><td>MF</td><td>✓</td></tr> <tr><td>SA</td><td></td></tr> <tr><td>KL</td><td></td></tr> <tr><td>HP</td><td></td></tr> <tr><td>SSC</td><td></td></tr> <tr><td>SMC</td><td></td></tr> <tr><td>W</td><td></td></tr> <tr><td>Z</td><td></td></tr> <tr><td>PC</td><td></td></tr> </table>	MF	✓	SA		KL		HP		SSC		SMC		W		Z		PC	
MF	✓																						
SA																							
KL																							
HP																							
SSC																							
SMC																							
W																							
Z																							
PC																							
	<b>ACET333</b>  Cruciform Block	24	pack	<b>W20032</b> <b>W20035</b>	<table border="1"> <tr><td>MF</td><td>✓</td></tr> <tr><td>SA</td><td></td></tr> <tr><td>KL</td><td></td></tr> <tr><td>HP</td><td></td></tr> <tr><td>SSC</td><td></td></tr> <tr><td>SMC</td><td></td></tr> <tr><td>W</td><td></td></tr> <tr><td>Z</td><td></td></tr> <tr><td>PC</td><td></td></tr> </table>	MF	✓	SA		KL		HP		SSC		SMC		W		Z		PC	
MF	✓																						
SA																							
KL																							
HP																							
SSC																							
SMC																							
W																							
Z																							
PC																							
	<b>ACET334</b>  Transom Locator Block	100	pack	<b>W20032</b> <b>W20035</b>	<table border="1"> <tr><td>MF</td><td></td></tr> <tr><td>SA</td><td></td></tr> <tr><td>KL</td><td></td></tr> <tr><td>HP</td><td></td></tr> <tr><td>SSC</td><td></td></tr> <tr><td>SMC</td><td></td></tr> <tr><td>W</td><td></td></tr> <tr><td>Z</td><td>✓</td></tr> <tr><td>PC</td><td></td></tr> </table>	MF		SA		KL		HP		SSC		SMC		W		Z	✓	PC	
MF																							
SA																							
KL																							
HP																							
SSC																							
SMC																							
W																							
Z	✓																						
PC																							
	<b>ACET335</b>  Transom Locator Block	100	pack	<b>W20034</b> <b>W20039</b>	<table border="1"> <tr><td>MF</td><td></td></tr> <tr><td>SA</td><td></td></tr> <tr><td>KL</td><td></td></tr> <tr><td>HP</td><td></td></tr> <tr><td>SSC</td><td></td></tr> <tr><td>SMC</td><td></td></tr> <tr><td>W</td><td></td></tr> <tr><td>Z</td><td>✓</td></tr> <tr><td>PC</td><td></td></tr> </table>	MF		SA		KL		HP		SSC		SMC		W		Z	✓	PC	
MF																							
SA																							
KL																							
HP																							
SSC																							
SMC																							
W																							
Z	✓																						
PC																							
 <p>T-BARS ACVG66=2.5mm ACVG66=3.0mm ACVL150=4.0mm</p> <p>Screw (Grub)</p>	MF = Mill Finish SA = Silver Anodised KL = Basic Colour HP = Special Colour SSC = Smooth Satin Chrome SMC = Smokey Chrome PC = Polished Chrome	W = White Z = Black																					



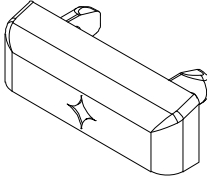
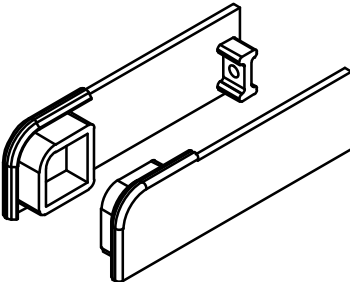
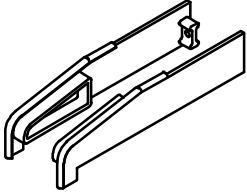
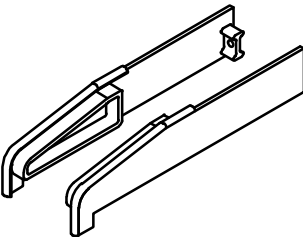
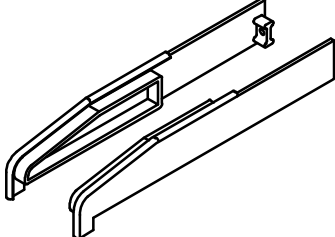


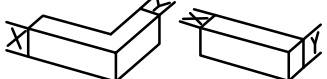
ACCESSORIES : PHOTOS & DRAWINGS

Image	Part Code	Pack	Unit	Application	Colour	
	<b>ACET336</b>  Cruciform Block	24	pack	<b>W20034</b> <b>W20039</b>	MF	✓
					SA	
					KL	
					HP	
					SSC	
					SMC	
					W	
					Z	
					PC	
	<b>ACET343</b>  Crimping Cleat	24	pack	<b>W20145</b>	MF	✓
					SA	
					KL	
					HP	
					SSC	
					SMC	
					W	
					Z	
					PC	
	<b>ACET345</b>  Crimping Cleat	24	pack	<b>W20145</b>	MF	✓
					SA	
					KL	
					HP	
					SSC	
					SMC	
					W	
					Z	
					PC	
	<b>ACET352</b>  Hinge Pull-in Block	50	pairs	<b>W20015</b> <b>W20016</b> <b>W20017</b> <b>W20024</b> <b>W20025</b> <b>W20111</b> <b>W20112</b>	MF	✓
					SA	
					KL	
					HP	
					SSC	
					SMC	
					W	✓
					Z	✓
					PC	
	<b>ACET380</b>  Run Up Block	100	pack	<b>W20015</b> <b>W20016</b> <b>W20017</b> <b>W20111</b> <b>W20112</b>	MF	
					SA	
					KL	
					HP	
					SSC	
					SMC	
					W	✓
					Z	✓
					PC	
 <p>T-BARS ACVG66=2.5mm ACVG66=3.0mm ACVL150=4.0mm</p>	MF = Mill Finish SA = Silver Anodised KL = Basic Colour HP = Special Colour SSC = Smooth Satin Chrome SMC = Smokey Chrome PC = Polished Chrome	W = White Z = Black				

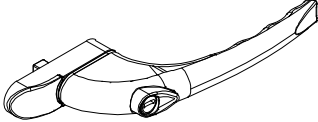
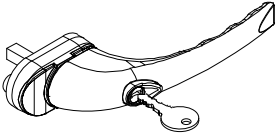
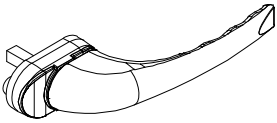
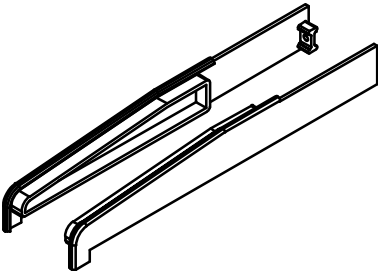
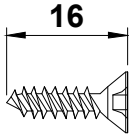


ACCESSORIES : PHOTOS & DRAWINGS

Image	Part Code	Pack	Unit	Application	Colour
	<b>ACET390</b> 4.3 x 25mm CSK Polyamide Screw	200	Pack	<b>ACW20067</b> <b>W20015</b> <b>W20016</b> <b>W20017</b> <b>W20111</b> <b>W20112</b>	MF SA KL HP SSC SMC W ✓ Z PC
	<b>ACET392</b> 4.3 x 31mm CSK Polyamide Screw	100	pack	<b>W20129</b> <b>W20149</b>	MF ✓ SA KL HP SSC SMC W Z PC
	<b>ACET394</b> Keep and Stay Packer	25	pack	<b>W20015</b> <b>W20016</b> <b>W20017</b> <b>W20024</b> <b>W20025</b> <b>W20111</b> <b>W20112</b>	MF ✓ SA KL HP SSC SMC W Z PC
	<b>ACET393</b> Packer for W20047/W20147	50	Pack	<b>W20047</b> <b>W20147</b>	MF SA KL HP SSC SMC W Z ✓ PC
	<b>ACET397</b> 8.6mm Packer	1	each	<b>W20122</b>	MF SA KL HP SSC SMC W Z PC
	MF = Mill Finish SA = Silver Anodised KL = Basic Colour HP = Special Colour SSC = Smooth Satin Chrome SMC = Smokey Chrome PC = Polished Chrome	W = White Z = Black			

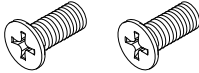
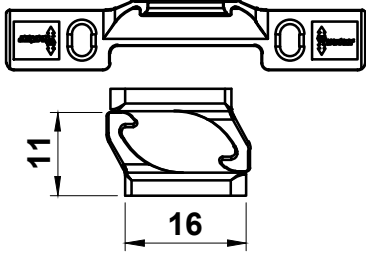
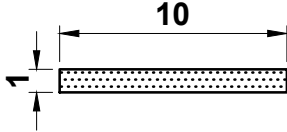
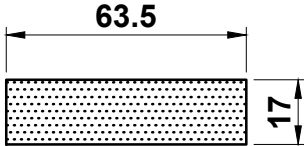
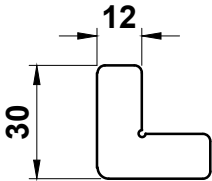

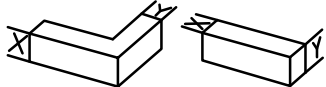
ACCESSORIES : PHOTOS & DRAWINGS

Image	Part Code	Pack	Unit	Application	Colour	
	<b>ACET432</b>  <b>Colour Match Drainage Cover Cap</b>	<b>8</b>	<b>pack</b>		MF	
					SA	✓
					KL	✓
					HP	
					SSC	
					SMC	✓
					W	✓
					Z	
					PC	
	<b>ACET451</b>  <b>Cast Cill End Caps (Pair)</b>	<b>1</b>	<b>pair</b>	<b>ETC451</b>	MF	✓
					SA	
					KL	✓
					HP	✓
					SSC	
					SMC	
					W	✓
					Z	✓
					PC	
	<b>ACET452</b>  <b>Cast Cill End Caps (Pair)</b>	<b>1</b>	<b>Pair</b>	<b>ETC452</b>	MF	✓
					SA	
					KL	✓
					HP	✓
					SSC	
					SMC	
					W	✓
					Z	✓
					PC	
	<b>ACET457</b>  <b>Cast Cill End Caps (Pair)</b>	<b>1</b>	<b>Pair</b>	<b>ETC457</b>	MF	✓
					SA	
					KL	✓
					HP	✓
					SSC	
					SMC	
					W	✓
					Z	✓
					PC	
	<b>ACET458</b>  <b>Cast Cill End Caps (Pair)</b>	<b>1</b>	<b>Pair</b>	<b>ETC458</b>	MF	✓
					SA	
					KL	✓
					HP	✓
					SSC	
					SMC	
					W	✓
					Z	✓
					PC	
 <small>T-BARS ACVG65=2.5mm ACVG66=3.0mm ACVL150=4.0mm</small>	 <small>Screw (Grub)</small>	<b>MF</b> = Mill Finish <b>SA</b> = Silver Anodised <b>KL</b> = Basic Colour <b>HP</b> = Special Colour <b>SSC</b> = Smooth Satin Chrome <b>SMC</b> = Smokey Chrome <b>PC</b> = Polished Chrome	<b>W</b> = White <b>Z</b> = Black			

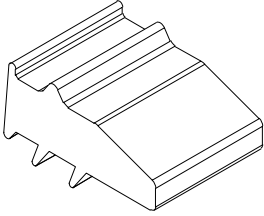
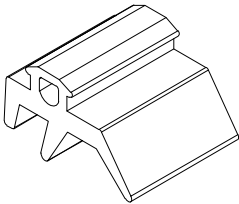
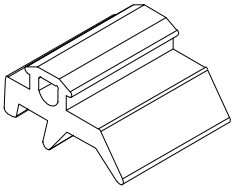
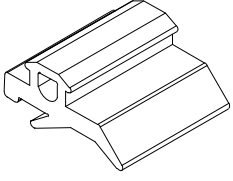
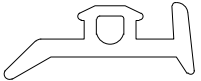


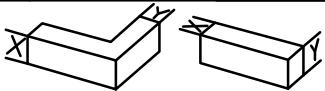
ACCESSORIES : PHOTOS & DRAWINGS

Image	Part Code	Pack	Unit	Application	Colour	
	<b>ACET460</b> Inline Espagnolette Handle 9mm Spindle	1	Each	<b>ACW201</b> <b>ACW202</b> <b>ACW203</b> <b>ACW204</b> <b>ACW205</b>	MF	✓
					SA	
					KL	✓
					HP	
					SSC	✓
					SMC	✓
					W	✓
					Z	✓
					PC	✓
						<b>ACET463</b> Locking Tilt & Turn Handle 9mm Spindle
SA						
KL	✓					
HP						
SSC	✓					
SMC	✓					
W	✓					
Z	✓					
PC	✓					
	<b>ACET464</b> Non-Locking Tilt & Turn Handle 9mm Spindle	1	Each	<b>ACSZ905</b>		
					SA	
					KL	
					HP	
					SSC	✓
					SMC	✓
					W	✓
					Z	✓
					PC	✓
						<b>ACET479N</b> Cast Cill End Caps (Pair)
SA						
KL	✓					
HP	✓					
SSC						
SMC						
W	✓					
Z	✓					
PC						
	<b>ACET490</b> 4.3 x 16mm CSK Polyamide Screw	1000	Pack	<b>ACW20060</b>		
					SA	
					KL	
					HP	
					SSC	
					SMC	
					W	
					Z	✓
					PC	
					 <p>T-BARS ACVG65=2.5mm ACVG66=3.0mm ACVL150=4.0mm</p>  <p>Screw (Grub)</p>	MF = Mill Finish SA = Silver Anodised KL = Basic Colour HP = Special Colour SSC = Smooth Satin Chrome SMC = Smokey Chrome PC = Polished Chrome

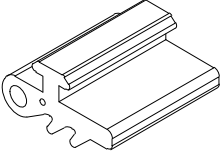
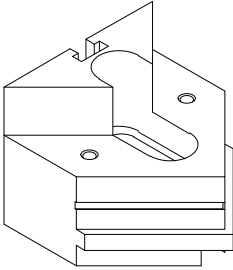
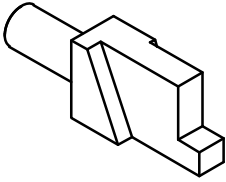
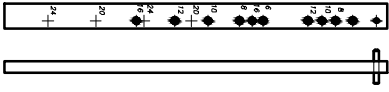
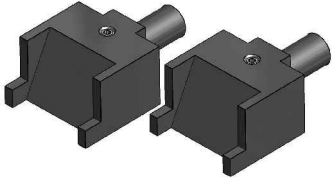


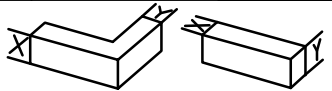
ACCESSORIES : PHOTOS & DRAWINGS

Image	Part Code	Pack	Unit	Application	Colour
	<b>ACET495</b>  2no. M5 x 12 SS CSK Machine Screw	1	Pack	<b>ACET460</b>	MF SA KL HP SSC SMC W Z PC
	<b>ACET513</b>  13mm Cavity Security Hinge Protector  4 Per Set (2 Pairs)	4	Sets	<b>W20015</b> <b>W20016</b> <b>W20017</b> <b>W20024</b> <b>W20025</b> <b>W20111</b> <b>W20112</b>	MF SA KL HP SSC SMC W Z ✓ PC
	<b>ACET569</b>  Astragal Bar Tape 10mm x 1mm	50	m	<b>W20165</b>	MF SA KL HP SSC SMC W Z PC
	<b>ACET619</b>  Foam Infill 1250mm Lengths	1	each	<b>W20112</b>	MF ✓ SA KL HP SSC SMC W Z PC
	<b>ACET624</b>  Stainless Steel Chevron	100	Pack	<b>W20122</b>	MF ✓ SA KL HP SSC SMC W Z PC
	<p>T-BARS ACVG65=2.5mm ACVG66=3.0mm ACVL150=4.0mm</p> <p>Screw (Grub)</p>				<p>MF = Mill Finish SA = Silver Anodised KL = Basic Colour HP = Special Colour SSC = Smooth Satin Chrome SMC = Smokey Chrome PC = Polished Chrome</p> <p>W = White Z = Black</p>
					

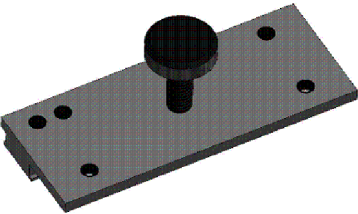
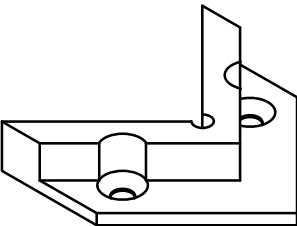
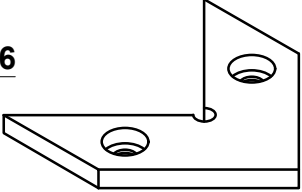
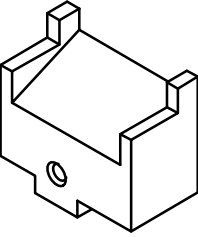
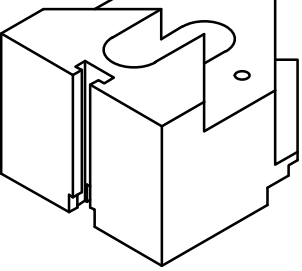


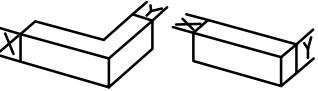
**ACCESSORIES : PHOTOS & DRAWINGS**

Image	Part Code	Pack	Unit	Application	Colour																		
	<b>ACET840N</b> 5mm Low Line Internal EPDM Wedge Gasket	150	m		<table border="1"> <tr><td>MF</td><td></td></tr> <tr><td>SA</td><td></td></tr> <tr><td>KL</td><td></td></tr> <tr><td>HP</td><td></td></tr> <tr><td>SSC</td><td></td></tr> <tr><td>SMC</td><td></td></tr> <tr><td>W</td><td></td></tr> <tr><td>Z</td><td>✓</td></tr> <tr><td>PC</td><td></td></tr> </table>	MF		SA		KL		HP		SSC		SMC		W		Z	✓	PC	
MF																							
SA																							
KL																							
HP																							
SSC																							
SMC																							
W																							
Z	✓																						
PC																							
	<b>ACET841</b> 4mm Low Line External EPDM Gasket	200	m		<table border="1"> <tr><td>MF</td><td></td></tr> <tr><td>SA</td><td></td></tr> <tr><td>KL</td><td></td></tr> <tr><td>HP</td><td></td></tr> <tr><td>SSC</td><td></td></tr> <tr><td>SMC</td><td></td></tr> <tr><td>W</td><td></td></tr> <tr><td>Z</td><td>✓</td></tr> <tr><td>PC</td><td></td></tr> </table>	MF		SA		KL		HP		SSC		SMC		W		Z	✓	PC	
MF																							
SA																							
KL																							
HP																							
SSC																							
SMC																							
W																							
Z	✓																						
PC																							
	<b>ACET842</b> 3mm Low Line External Gasket	200	m		<table border="1"> <tr><td>MF</td><td></td></tr> <tr><td>SA</td><td></td></tr> <tr><td>KL</td><td></td></tr> <tr><td>HP</td><td></td></tr> <tr><td>SSC</td><td></td></tr> <tr><td>SMC</td><td></td></tr> <tr><td>W</td><td></td></tr> <tr><td>Z</td><td>✓</td></tr> <tr><td>PC</td><td></td></tr> </table>	MF		SA		KL		HP		SSC		SMC		W		Z	✓	PC	
MF																							
SA																							
KL																							
HP																							
SSC																							
SMC																							
W																							
Z	✓																						
PC																							
	<b>ACET843</b> 2mm Low Line External Gasket	200	m		<table border="1"> <tr><td>MF</td><td></td></tr> <tr><td>SA</td><td></td></tr> <tr><td>KL</td><td></td></tr> <tr><td>HP</td><td></td></tr> <tr><td>SSC</td><td></td></tr> <tr><td>SMC</td><td></td></tr> <tr><td>W</td><td></td></tr> <tr><td>Z</td><td>✓</td></tr> <tr><td>PC</td><td></td></tr> </table>	MF		SA		KL		HP		SSC		SMC		W		Z	✓	PC	
MF																							
SA																							
KL																							
HP																							
SSC																							
SMC																							
W																							
Z	✓																						
PC																							
	<b>ACET844</b> 2mm Low Line External Gasket	200	m		<table border="1"> <tr><td>MF</td><td></td></tr> <tr><td>SA</td><td></td></tr> <tr><td>KL</td><td></td></tr> <tr><td>HP</td><td></td></tr> <tr><td>SSC</td><td></td></tr> <tr><td>SMC</td><td></td></tr> <tr><td>W</td><td></td></tr> <tr><td>Z</td><td>✓</td></tr> <tr><td>PC</td><td></td></tr> </table>	MF		SA		KL		HP		SSC		SMC		W		Z	✓	PC	
MF																							
SA																							
KL																							
HP																							
SSC																							
SMC																							
W																							
Z	✓																						
PC																							
 <p>T-BARS ACVG66=2.5mm ACVG66=3.0mm ACVL150=4.0mm</p>  <p>Screw (Grub)</p>	<p>MF = Mill Finish SA = Silver Anodised KL = Basic Colour HP = Special Colour SSC = Smooth Satin Chrome SMC = Smokey Chrome PC = Polished Chrome</p>	<p>W = White Z = Black</p>																					

ACCESSORIES : PHOTOS & DRAWINGS

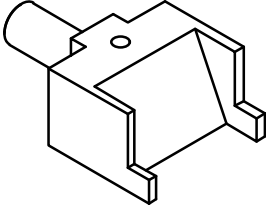
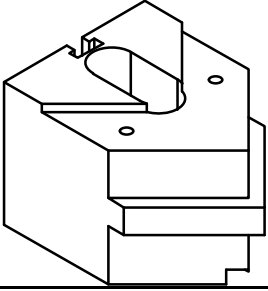
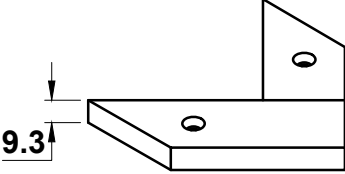
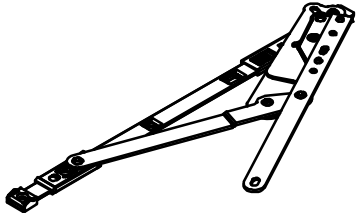
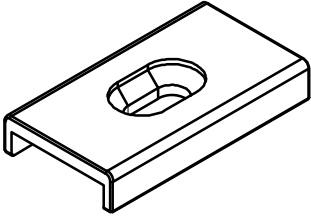


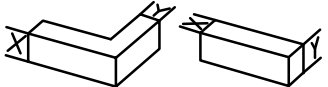
Image	Part Code	Pack	Unit	Application	Colour	
	<b>ACET845</b>  3mm Low Line External EPDM Gasket with Rigid Backing  Slides into glazing bead	100	m		MF	
					SA	
					KL	
					HP	
					SSC	
					SMC	
					W	
					Z	✓
					PC	
	<b>ACET889</b>  Vee Block	1	each	W20122	MF	
					SA	✓
					KL	
					HP	
					SSC	
					SMC	
					W	
					Z	
					PC	
	<b>ACET904</b>  Punches	1	pair	<b>W20015</b> <b>W20016</b> <b>W20110</b>	MF	
					SA	✓
					KL	
					HP	
					SSC	
					SMC	
					W	
					Z	
					PC	
	<b>ACET911</b>  Friction Hinge Drill Jig	1	each	<b>W20024</b> <b>W20025</b> <b>W20026</b> <b>W20027</b> <b>W20028</b> <b>W20029</b>	MF	
					SA	✓
					KL	
					HP	
					SSC	
					SMC	
					W	
					Z	
					PC	
	<b>ACET918</b>  Punches	1	pair	W20018	MF	
					SA	✓
					KL	
					HP	
					SSC	
					SMC	
					W	
					Z	
					PC	
 T-BARS ACVG66=2.5mm ACVG66=3.0mm ACVL150=4.0mm	 Screw (Grub)	<b>MF</b> = Mill Finish <b>SA</b> = Silver Anodised <b>KL</b> = Basic Colour <b>HP</b> = Special Colour <b>SSC</b> = Smooth Satin Chrome <b>SMC</b> = Smokey Chrome <b>PC</b> = Polished Chrome	<b>W</b> = White <b>Z</b> = Black			

ACCESSORIES : PHOTOS & DRAWINGS

Image	Part Code	Pack	Unit	Application	Colour
	<b>ACET945</b> Transom/Mullion Drill Jig	1	each	<b>W20032</b> <b>W20034</b> <b>W20035</b> <b>W20039</b> <b>W20132</b> <b>W20139</b>	MF <input checked="" type="checkbox"/> SA <input type="checkbox"/> KL <input type="checkbox"/> HP <input type="checkbox"/> SSC <input type="checkbox"/> SMC <input type="checkbox"/> W <input type="checkbox"/> Z <input type="checkbox"/> PC <input type="checkbox"/>
	<b>ACET975</b> 4mm Tufnel Packer	1	each	<b>W20026</b> <b>W20027</b> <b>W20028</b> <b>W20029</b>	MF <input checked="" type="checkbox"/> SA <input type="checkbox"/> KL <input type="checkbox"/> HP <input type="checkbox"/> SSC <input type="checkbox"/> SMC <input type="checkbox"/> W <input type="checkbox"/> Z <input type="checkbox"/> PC <input type="checkbox"/>
	<b>ACET977</b> 6mm Packer	1	each	<b>W20028</b> <b>W20029</b> <b>W20147</b>	MF <input checked="" type="checkbox"/> SA <input type="checkbox"/> KL <input type="checkbox"/> HP <input type="checkbox"/> SSC <input type="checkbox"/> SMC <input type="checkbox"/> W <input type="checkbox"/> Z <input type="checkbox"/> PC <input type="checkbox"/>
	<b>ACET978</b> Punches	1	pair	<b>W20017</b>	MF <input checked="" type="checkbox"/> SA <input type="checkbox"/> KL <input type="checkbox"/> HP <input type="checkbox"/> SSC <input type="checkbox"/> SMC <input type="checkbox"/> W <input type="checkbox"/> Z <input type="checkbox"/> PC <input type="checkbox"/>
	<b>ACET979</b> Vee Block	1	each	<b>W20017</b>	MF <input checked="" type="checkbox"/> SA <input type="checkbox"/> KL <input type="checkbox"/> HP <input type="checkbox"/> SSC <input type="checkbox"/> SMC <input type="checkbox"/> W <input type="checkbox"/> Z <input type="checkbox"/> PC <input type="checkbox"/>
 <p>T-BARS ACVG65=2.5mm ACVG66=3.0mm ACVL150=4.0mm</p>  <p>Screw (Grub)</p>	<p>MF = Mill Finish SA = Silver Anodised KL = Basic Colour HP = Special Colour SSC = Smooth Satin Chrome SMC = Smokey Chrome PC = Polished Chrome</p>	<p>W = White Z = Black</p>			



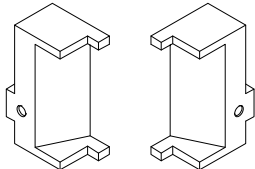
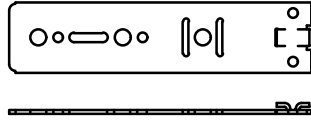
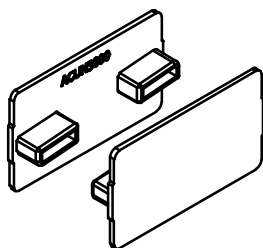
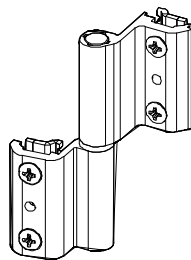
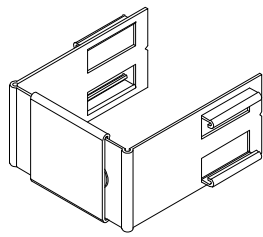

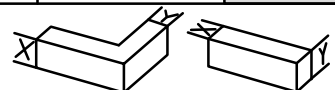
ACCESSORIES : PHOTOS & DRAWINGS

Image	Part Code	Pack	Unit	Application	Colour
	<b>ACET981</b>  Punches	1	pair	<b>W20047</b> <b>W20147</b>	MF <input checked="" type="checkbox"/>
					SA <input type="checkbox"/>
					KL <input type="checkbox"/>
					HP <input type="checkbox"/>
					SSC <input type="checkbox"/>
					SMC <input type="checkbox"/>
					W <input type="checkbox"/>
					Z <input type="checkbox"/>
					PC <input type="checkbox"/>
	<b>ACET982</b>  Vee Block	1	each	<b>W20015</b> <b>W20016</b>	MF <input checked="" type="checkbox"/>
					SA <input type="checkbox"/>
					KL <input type="checkbox"/>
					HP <input type="checkbox"/>
					SSC <input type="checkbox"/>
					SMC <input type="checkbox"/>
					W <input type="checkbox"/>
					Z <input type="checkbox"/>
					PC <input type="checkbox"/>
	<b>ACET990</b>  9.3mm Packer	1	each	<b>W20110</b>	MF <input checked="" type="checkbox"/>
					SA <input type="checkbox"/>
					KL <input type="checkbox"/>
					HP <input type="checkbox"/>
					SSC <input type="checkbox"/>
					SMC <input type="checkbox"/>
					W <input type="checkbox"/>
					Z <input type="checkbox"/>
					PC <input type="checkbox"/>
	<b>ACETME13</b>  13.5mm Egress Hinge	1	pair	<b>ACETME13</b> <b>ACET394</b>	MF <input checked="" type="checkbox"/>
					SA <input type="checkbox"/>
					KL <input type="checkbox"/>
					HP <input type="checkbox"/>
					SSC <input type="checkbox"/>
					SMC <input type="checkbox"/>
					W <input type="checkbox"/>
					Z <input type="checkbox"/>
					PC <input type="checkbox"/>
	<b>ACETME99</b>  Easy Clean Immobiliser for Sashes Over 600mm	100	pack	<b>ACETME13</b>	MF <input checked="" type="checkbox"/>
					SA <input type="checkbox"/>
					KL <input type="checkbox"/>
					HP <input type="checkbox"/>
					SSC <input type="checkbox"/>
					SMC <input type="checkbox"/>
					W <input type="checkbox"/>
					Z <input type="checkbox"/>
					PC <input type="checkbox"/>
 T-BARS ACVG665=2.5mm ACVG666=3.0mm ACVL150=4.0mm	 Screw (Grub)	<b>MF</b> = Mill Finish <b>SA</b> = Silver Anodised <b>KL</b> = Basic Colour <b>HP</b> = Special Colour <b>SSC</b> = Smooth Satin Chrome <b>SMC</b> = Smokey Chrome <b>PC</b> = Polished Chrome	<b>W</b> = White <b>Z</b> = Black		

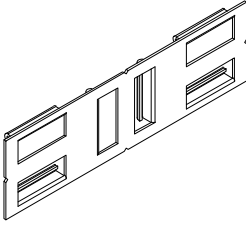
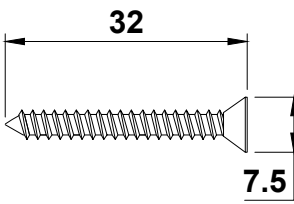
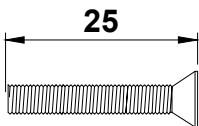
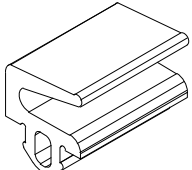
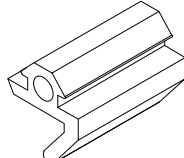


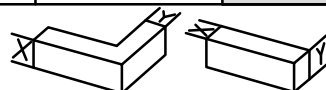
ACCESSORIES : PHOTOS & DRAWINGS

Image	Part Code	Pack	Unit	Application	Colour
	<b>ACGSL045</b> Drainage Cap	100	pack	<b>W20110</b> <b>W20130</b>	MF SA KL HP SSC SMC W ✓ Z ✓ PC
	<b>ACRV032</b> Sealing Gasket for Coupler	50	m	<b>ETC080</b> <b>W20016</b> <b>W20051</b> <b>W20054</b>	MF SA KL HP SSC SMC W Z ✓ PC
	<b>ACSM002 L/R</b> Art Deco Window Handles 9mm Spindle	1	each	<b>ACW201</b> <b>ACW202</b> <b>ACW203</b> <b>ACW204</b> <b>ACW205</b>	MF SA KL ✓ HP SSC SMC W ✓ Z ✓ PC
	<b>ACSM010 L/R</b> Stainless Steel Casement Window Handle 9mm Spindle	1	each	<b>ACW201</b> <b>ACW202</b> <b>ACW203</b> <b>ACW204</b> <b>ACW205</b>	MF SA KL HP SSC SMC W Z PC
	<b>ACSM011 L/R</b> Stainless Steel Tilt & Turn Window Handle	1	each	<b>ACSZ905</b>	MF SA ✓ KL HP SSC SMC W Z PC
	MF = Mill Finish SA = Silver Anodised KL = Basic Colour HP = Special Colour SSC = Smooth Satin Chrome SMC = Smokey Chrome PC = Polished Chrome	W = White Z = Black			

ACCESSORIES : PHOTOS & DRAWINGS

Image	Part Code	Pack	Unit	Application	Colour	
	<b>ACUL902</b>  Punches	1	each	W20114	MF	✓
					SA	
					KL	
					HP	
					SSC	
					SMC	
					W	
					Z	
					PC	
	<b>ACUN23X</b>  Screw Fixing Lug B x 38mm x 2mm  ACUN230: B = 160mm ACUN232: B = 240mm ACUN233: B = 280mm	100	Pack	<b>ETC451</b> <b>ETC452</b> <b>ETC457</b> <b>ETC458</b> <b>ETC478</b> <b>ETC479</b> <b>W20110</b>	MF	✓
					SA	
					KL	
					HP	
					SSC	
					SMC	
					W	
					Z	
					PC	
	<b>ACUN3000</b>  UN3000 End Cap	10	pack	UN3000	MF	
					SA	
					KL	
					HP	
					SSC	
					SMC	
					W	
					Z	✓
					PC	
	<b>ACUN3140</b>  Hinge  Weight Limit - 90 kg	1	each	<b>W20114</b> <b>W20134</b>	MF	✓
					SA	
					KL	
					HP	
					SSC	
					SMC	
					W	
					Z	
					PC	
	<b>ACUN3220</b>  Astragal Steel Clip	100	pack	<b>UN3220</b> <b>UN3225</b>	MF	✓
					SA	
					KL	
					HP	
					SSC	
					SMC	
					W	
					Z	
					PC	
 <p>T-BARS ACVG65=2.5mm ACVG66=3.0mm ACVL150=4.0mm</p> <p>Screw (Grub)</p>	<b>MF</b> = Mill Finish <b>SA</b> = Silver Anodised <b>KL</b> = Basic Colour <b>HP</b> = Special Colour <b>SSC</b> = Smooth Satin Chrome <b>SMC</b> = Smokey Chrome <b>PC</b> = Polished Chrome	<b>W</b> = White <b>Z</b> = Black				

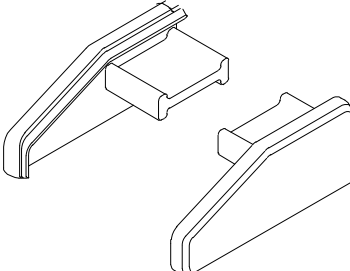
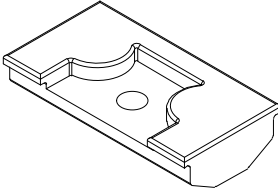
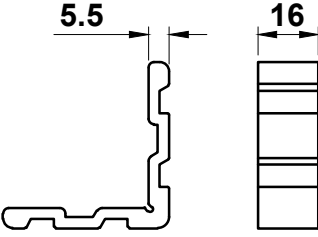
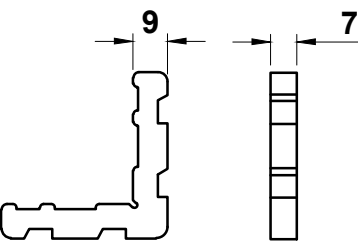
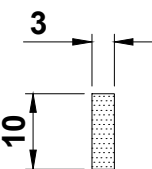


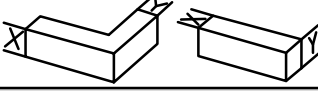
**ACCESSORIES : PHOTOS & DRAWINGS**

Image	Part Code	Pack	Unit	Application	Colour																		
	<b>ACUN3222</b> Astragal Cruciform Joint	<b>50</b>	<b>pack</b>	<b>UN3220</b> <b>UN3225</b>	<table border="1"> <tr><td>MF</td><td>✓</td></tr> <tr><td>SA</td><td></td></tr> <tr><td>KL</td><td></td></tr> <tr><td>HP</td><td></td></tr> <tr><td>SSC</td><td></td></tr> <tr><td>SMC</td><td></td></tr> <tr><td>W</td><td></td></tr> <tr><td>Z</td><td></td></tr> <tr><td>PC</td><td></td></tr> </table>	MF	✓	SA		KL		HP		SSC		SMC		W		Z		PC	
MF	✓																						
SA																							
KL																							
HP																							
SSC																							
SMC																							
W																							
Z																							
PC																							
	<b>ACUN3512</b> No. 8 x 32mm CSK SS Pozi Screw	<b>100</b>	<b>pack</b>	<b>UL048</b> <b>W20114</b>	<table border="1"> <tr><td>MF</td><td></td></tr> <tr><td>SA</td><td></td></tr> <tr><td>KL</td><td></td></tr> <tr><td>HP</td><td></td></tr> <tr><td>SSC</td><td></td></tr> <tr><td>SMC</td><td></td></tr> <tr><td>W</td><td></td></tr> <tr><td>Z</td><td></td></tr> <tr><td>PC</td><td></td></tr> </table>	MF		SA		KL		HP		SSC		SMC		W		Z		PC	
MF																							
SA																							
KL																							
HP																							
SSC																							
SMC																							
W																							
Z																							
PC																							
	<b>ACUN3537</b> M4 X 25mm Pozi CSK M/C Screw	<b>100</b>	<b>pack</b>	<b>ACET269</b> <b>W20015</b> <b>W20016</b> <b>W20017</b> <b>W20111</b> <b>W20112</b>	<table border="1"> <tr><td>MF</td><td>✓</td></tr> <tr><td>SA</td><td></td></tr> <tr><td>KL</td><td></td></tr> <tr><td>HP</td><td></td></tr> <tr><td>SSC</td><td></td></tr> <tr><td>SMC</td><td></td></tr> <tr><td>W</td><td></td></tr> <tr><td>Z</td><td></td></tr> <tr><td>PC</td><td></td></tr> </table>	MF	✓	SA		KL		HP		SSC		SMC		W		Z		PC	
MF	✓																						
SA																							
KL																							
HP																							
SSC																							
SMC																							
W																							
Z																							
PC																							
	<b>ACVL031</b> EPDM Flipper Gasket	<b>100</b>	<b>m</b>	<b>W20120</b>	<table border="1"> <tr><td>MF</td><td></td></tr> <tr><td>SA</td><td></td></tr> <tr><td>KL</td><td></td></tr> <tr><td>HP</td><td></td></tr> <tr><td>SSC</td><td></td></tr> <tr><td>SMC</td><td></td></tr> <tr><td>W</td><td></td></tr> <tr><td>Z</td><td>✓</td></tr> <tr><td>PC</td><td></td></tr> </table>	MF		SA		KL		HP		SSC		SMC		W		Z	✓	PC	
MF																							
SA																							
KL																							
HP																							
SSC																							
SMC																							
W																							
Z	✓																						
PC																							
	<b>ACVL032</b> EPDM Flipper Gasket	<b>100</b>	<b>m</b>		<table border="1"> <tr><td>MF</td><td></td></tr> <tr><td>SA</td><td></td></tr> <tr><td>KL</td><td></td></tr> <tr><td>HP</td><td></td></tr> <tr><td>SSC</td><td></td></tr> <tr><td>SMC</td><td></td></tr> <tr><td>W</td><td></td></tr> <tr><td>Z</td><td>✓</td></tr> <tr><td>PC</td><td></td></tr> </table>	MF		SA		KL		HP		SSC		SMC		W		Z	✓	PC	
MF																							
SA																							
KL																							
HP																							
SSC																							
SMC																							
W																							
Z	✓																						
PC																							
 <p>T-BARS ACVG65=2.5mm ACVG66=3.0mm ACVL150=4.0mm</p>  <p>Screw (Grub)</p>	<p>MF = Mill Finish SA = Silver Anodised KL = Basic Colour HP = Special Colour SSC = Smooth Satin Chrome SMC = Smokey Chrome PC = Polished Chrome</p>	<p>W = White Z = Black</p>																					

ACCESSORIES : PHOTOS & DRAWINGS

Image	Part Code	Pack	Unit	Application	Colour																		
	<b>ACVL069</b>  Astragal Bar Tape 20mm x 1mm	33	m	<b>W20166</b>	<table border="1"> <tr><td>MF</td><td></td></tr> <tr><td>SA</td><td></td></tr> <tr><td>KL</td><td></td></tr> <tr><td>HP</td><td></td></tr> <tr><td>SSC</td><td></td></tr> <tr><td>SMC</td><td></td></tr> <tr><td>W</td><td></td></tr> <tr><td>Z</td><td>✓</td></tr> <tr><td>PC</td><td></td></tr> </table>	MF		SA		KL		HP		SSC		SMC		W		Z	✓	PC	
MF																							
SA																							
KL																							
HP																							
SSC																							
SMC																							
W																							
Z	✓																						
PC																							
	<b>ACW20024</b>  Stainless Steel Chevron	100	pack	<b>W20024</b> <b>W20025</b> <b>W20026</b> <b>W20027</b> <b>W20028</b> <b>W20029</b> <b>W20122</b>	<table border="1"> <tr><td>MF</td><td>✓</td></tr> <tr><td>SA</td><td></td></tr> <tr><td>KL</td><td></td></tr> <tr><td>HP</td><td></td></tr> <tr><td>SSC</td><td></td></tr> <tr><td>SMC</td><td></td></tr> <tr><td>W</td><td></td></tr> <tr><td>Z</td><td></td></tr> <tr><td>PC</td><td></td></tr> </table>	MF	✓	SA		KL		HP		SSC		SMC		W		Z		PC	
MF	✓																						
SA																							
KL																							
HP																							
SSC																							
SMC																							
W																							
Z																							
PC																							
	<b>ACW20028</b>  Handle Fixing Block for use with W20168N bead only	1	each	<b>W20168N</b>	<table border="1"> <tr><td>MF</td><td>✓</td></tr> <tr><td>SA</td><td></td></tr> <tr><td>KL</td><td>✓</td></tr> <tr><td>HP</td><td></td></tr> <tr><td>SSC</td><td></td></tr> <tr><td>SMC</td><td></td></tr> <tr><td>W</td><td>✓</td></tr> <tr><td>Z</td><td>✓</td></tr> <tr><td>PC</td><td></td></tr> </table>	MF	✓	SA		KL	✓	HP		SSC		SMC		W	✓	Z	✓	PC	
MF	✓																						
SA																							
KL	✓																						
HP																							
SSC																							
SMC																							
W	✓																						
Z	✓																						
PC																							
	<b>ACW20029</b>  Handle Fixing Block for use with W20171N bead only	1	each	<b>W20171N</b>	<table border="1"> <tr><td>MF</td><td>✓</td></tr> <tr><td>SA</td><td></td></tr> <tr><td>KL</td><td>✓</td></tr> <tr><td>HP</td><td></td></tr> <tr><td>SSC</td><td></td></tr> <tr><td>SMC</td><td></td></tr> <tr><td>W</td><td>✓</td></tr> <tr><td>Z</td><td>✓</td></tr> <tr><td>PC</td><td></td></tr> </table>	MF	✓	SA		KL	✓	HP		SSC		SMC		W	✓	Z	✓	PC	
MF	✓																						
SA																							
KL	✓																						
HP																							
SSC																							
SMC																							
W	✓																						
Z	✓																						
PC																							
	<b>ACW20038</b>  4-3mm Tear-away Low-line EPDM Wedge Gasket  Black Only	200	m		<table border="1"> <tr><td>MF</td><td></td></tr> <tr><td>SA</td><td></td></tr> <tr><td>KL</td><td></td></tr> <tr><td>HP</td><td></td></tr> <tr><td>SSC</td><td></td></tr> <tr><td>SMC</td><td></td></tr> <tr><td>W</td><td></td></tr> <tr><td>Z</td><td>✓</td></tr> <tr><td>PC</td><td></td></tr> </table>	MF		SA		KL		HP		SSC		SMC		W		Z	✓	PC	
MF																							
SA																							
KL																							
HP																							
SSC																							
SMC																							
W																							
Z	✓																						
PC																							
	<b>MF</b> = Mill Finish <b>SA</b> = Silver Anodised <b>KL</b> = Basic Colour <b>HP</b> = Special Colour <b>SSC</b> = Smooth Satin Chrome <b>SMC</b> = Smokey Chrome <b>PC</b> = Polished Chrome	<b>W</b> = White <b>Z</b> = Black																					





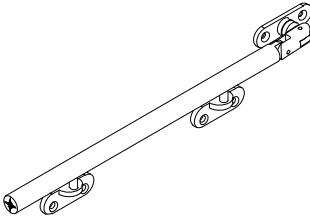


ACCESSORIES : PHOTOS & DRAWINGS

Image	Part Code	Pack	Unit	Application	Colour
	<b>ACW20039</b> Transom End Caps	10	pairs	<b>W20032</b> <b>W20039</b> <b>W20132</b>	MF SA KL HP SSC SMC W ✓ Z ✓ PC
	<b>ACW20049</b> Meeting Stile Keep Packer	50	pack	<b>W20048</b>	MF SA KL HP SSC SMC W Z ✓ PC
	<b>ACW20055</b> Corner Cleat	24	pack	<b>W20024</b> <b>W20025</b> <b>W20026</b> <b>W20028</b> <b>W20029</b>	MF ✓ SA KL HP SSC SMC W Z PC
	<b>ACW20056</b> Corner Cleat	24	pack	<b>W20025</b> <b>W20026</b> <b>W20027</b> <b>W20127</b>	MF ✓ SA KL HP SSC SMC W Z PC
	<b>ACW20073</b> 3mm x 10mm Glazing Tape	20	m	<b>W20026</b> <b>W20127</b>	MF ✓ SA KL HP SSC SMC W Z PC
 <p>T-BARS ACVG66=2.5mm ACVG66=3.0mm ACVL150=4.0mm</p>  <p>Screw (Grub)</p>	<p>MF = Mill Finish SA = Silver Anodised KL = Basic Colour HP = Special Colour SSC = Smooth Satin Chrome SMC = Smokey Chrome PC = Polished Chrome</p>	<p>W = White Z = Black</p>			

ACCESSORIES : PHOTOS & DRAWINGS

Image	Part Code	Pack	Unit	Application	Colour
	<b>ACW20074</b>  4mm x 10mm Glazing Tape	15	m	<b>W20026</b> <b>W20127</b>	MF <input checked="" type="checkbox"/>
					SA <input type="checkbox"/>
					KL <input type="checkbox"/>
					HP <input type="checkbox"/>
					SSC <input type="checkbox"/>
					SMC <input type="checkbox"/>
					W <input type="checkbox"/>
					Z <input type="checkbox"/>
					PC <input type="checkbox"/>
SA <input type="checkbox"/>					
KL <input type="checkbox"/>					
HP <input type="checkbox"/>					
SSC <input type="checkbox"/>					
SMC <input type="checkbox"/>					
W <input type="checkbox"/>					
Z <input type="checkbox"/>					
PC <input type="checkbox"/>					
	<b>ACW20101 L/R</b>  Bulb End Espag Handle  Black or Pewter	1	each	<b>ACW201</b> <b>ACW202</b> <b>ACW203</b> <b>ACW204</b> <b>ACW205</b>	
					SA <input type="checkbox"/>
					KL <input type="checkbox"/>
					HP <input type="checkbox"/>
					SSC <input type="checkbox"/>
					SMC <input type="checkbox"/>
					W <input type="checkbox"/>
					Z <input type="checkbox"/>
					PC <input type="checkbox"/>
SA <input type="checkbox"/>					
KL <input type="checkbox"/>					
HP <input type="checkbox"/>					
SSC <input type="checkbox"/>					
SMC <input type="checkbox"/>					
W <input type="checkbox"/>					
Z <input type="checkbox"/>					
PC <input type="checkbox"/>					
	<b>ACW20103</b>  10" Monkey Tail Peg Stay  Black or Pewter	1	each	<b>W20015</b> <b>W20016</b> <b>W20024</b> <b>W20025</b> <b>W20111</b>	
					SA <input type="checkbox"/>
					KL <input type="checkbox"/>
					HP <input type="checkbox"/>
					SSC <input type="checkbox"/>
					SMC <input type="checkbox"/>
					W <input type="checkbox"/>
					Z <input type="checkbox"/>
					PC <input type="checkbox"/>

ACCESSORIES : PHOTOS & DRAWINGS

Image	Part Code	Pack	Unit	Application	Colour
	<b>ACW20104</b>  <b>12" Monkey Tail Peg Stay</b>  <b>Black or Pewter</b>	<b>1</b>	<b>each</b>	<b>W20015</b> <b>W20016</b> <b>W20024</b> <b>W20025</b> <b>W20111</b>	MF
					SA
					KL
					HP
					SSC
					SMC
					W
					Z
					PC
					
SA					
KL					
HP					
SSC					
SMC					
W					
Z					
PC					
	<b>ACW20106</b>  <b>10" Bulb End Peg Stay</b>  <b>Black or Pewter</b>	<b>1</b>	<b>each</b>	<b>W20015</b> <b>W20016</b> <b>W20024</b> <b>W20025</b> <b>W20111</b>	
					SA
					KL
					HP
					SSC
					SMC
					W
					Z
					PC
					
SA					
KL					
HP					
SSC					
SMC					
W					
Z					
PC					
	<b>ACW20108</b>  <b>Stainless Steel Peg Stay</b>	<b>1</b>	<b>each</b>	<b>W20015</b> <b>W20016</b> <b>W20024</b> <b>W20025</b> <b>W20111</b>	
					SA
					KL
					HP
					SSC
					SMC
					W
					Z
					PC
					 <p>T-BARS ACVG66=2.5mm ACVG66=3.0mm ACVL150=4.0mm</p>  <p>Screw (Grub)</p>



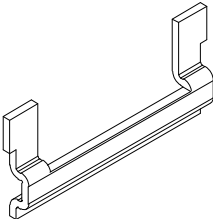
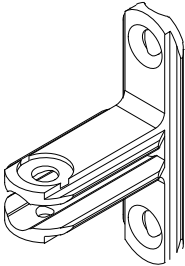
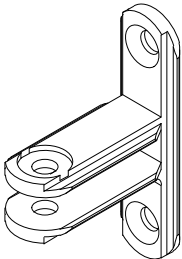
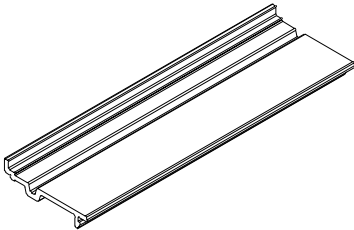
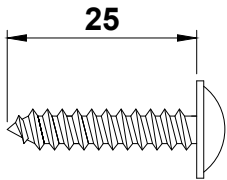


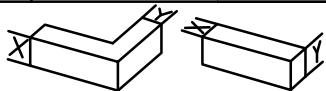
ACCESSORIES : PHOTOS & DRAWINGS

Image	Part Code	Pack	Unit	Application	Colour																		
	<b>ACW20110</b>  Crimping Cleat	24	pack	W20110	<table border="1"> <tr><td>MF</td><td>✓</td></tr> <tr><td>SA</td><td></td></tr> <tr><td>KL</td><td></td></tr> <tr><td>HP</td><td></td></tr> <tr><td>SSC</td><td></td></tr> <tr><td>SMC</td><td></td></tr> <tr><td>W</td><td></td></tr> <tr><td>Z</td><td></td></tr> <tr><td>PC</td><td></td></tr> </table>	MF	✓	SA		KL		HP		SSC		SMC		W		Z		PC	
MF	✓																						
SA																							
KL																							
HP																							
SSC																							
SMC																							
W																							
Z																							
PC																							
	<b>ACW20114</b>  Crimping Cleat	24	pack	W20114	<table border="1"> <tr><td>MF</td><td>✓</td></tr> <tr><td>SA</td><td></td></tr> <tr><td>KL</td><td></td></tr> <tr><td>HP</td><td></td></tr> <tr><td>SSC</td><td></td></tr> <tr><td>SMC</td><td></td></tr> <tr><td>W</td><td></td></tr> <tr><td>Z</td><td></td></tr> <tr><td>PC</td><td></td></tr> </table>	MF	✓	SA		KL		HP		SSC		SMC		W		Z		PC	
MF	✓																						
SA																							
KL																							
HP																							
SSC																							
SMC																							
W																							
Z																							
PC																							
	<b>ACW20117</b>  Crimping Cleat	24	pack	W20017 W20112	<table border="1"> <tr><td>MF</td><td>✓</td></tr> <tr><td>SA</td><td></td></tr> <tr><td>KL</td><td></td></tr> <tr><td>HP</td><td></td></tr> <tr><td>SSC</td><td></td></tr> <tr><td>SMC</td><td></td></tr> <tr><td>W</td><td></td></tr> <tr><td>Z</td><td></td></tr> <tr><td>PC</td><td></td></tr> </table>	MF	✓	SA		KL		HP		SSC		SMC		W		Z		PC	
MF	✓																						
SA																							
KL																							
HP																							
SSC																							
SMC																							
W																							
Z																							
PC																							
	<b>ACW20120</b>  Crimping Cleat	24	pack	W20120	<table border="1"> <tr><td>MF</td><td>✓</td></tr> <tr><td>SA</td><td></td></tr> <tr><td>KL</td><td></td></tr> <tr><td>HP</td><td></td></tr> <tr><td>SSC</td><td></td></tr> <tr><td>SMC</td><td></td></tr> <tr><td>W</td><td></td></tr> <tr><td>Z</td><td></td></tr> <tr><td>PC</td><td></td></tr> </table>	MF	✓	SA		KL		HP		SSC		SMC		W		Z		PC	
MF	✓																						
SA																							
KL																							
HP																							
SSC																							
SMC																							
W																							
Z																							
PC																							
	<b>ACW20122</b>  Crimping Cleat	24	pack	W20122	<table border="1"> <tr><td>MF</td><td>✓</td></tr> <tr><td>SA</td><td></td></tr> <tr><td>KL</td><td></td></tr> <tr><td>HP</td><td></td></tr> <tr><td>SSC</td><td></td></tr> <tr><td>SMC</td><td></td></tr> <tr><td>W</td><td></td></tr> <tr><td>Z</td><td></td></tr> <tr><td>PC</td><td></td></tr> </table>	MF	✓	SA		KL		HP		SSC		SMC		W		Z		PC	
MF	✓																						
SA																							
KL																							
HP																							
SSC																							
SMC																							
W																							
Z																							
PC																							
<p>T-BARS ACVG65=2.5mm ACVG66=3.0mm ACVL150=4.0mm</p> <p>Screw (Grub)</p>	<b>MF</b> = Mill Finish <b>SA</b> = Silver Anodised <b>KL</b> = Basic Colour <b>HP</b> = Special Colour <b>SSC</b> = Smooth Satin Chrome <b>SMC</b> = Smokey Chrome <b>PC</b> = Polished Chrome	<b>W</b> = White <b>Z</b> = Black																					


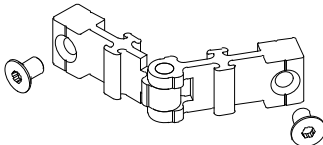
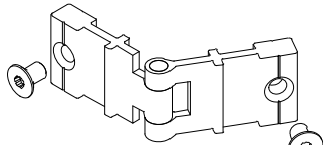
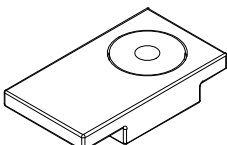
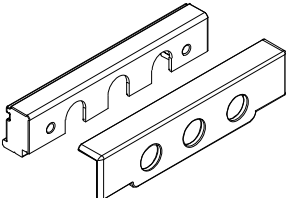

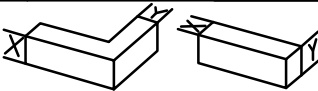
ACCESSORIES : PHOTOS & DRAWINGS

Image	Part Code	Pack	Unit	Application	Colour																		
	<b>ACW20124N</b> Crimping Cleat	24	pack	W20120	<table border="1"> <tr><td>MF</td><td>✓</td></tr> <tr><td>SA</td><td></td></tr> <tr><td>KL</td><td></td></tr> <tr><td>HP</td><td></td></tr> <tr><td>SSC</td><td></td></tr> <tr><td>SMC</td><td></td></tr> <tr><td>W</td><td></td></tr> <tr><td>Z</td><td></td></tr> <tr><td>PC</td><td></td></tr> </table>	MF	✓	SA		KL		HP		SSC		SMC		W		Z		PC	
MF	✓																						
SA																							
KL																							
HP																							
SSC																							
SMC																							
W																							
Z																							
PC																							
	<b>ACW20130</b> Central Gasket	100	m	<b>W20110</b> <b>W20130</b> <b>ACW20133</b>	<table border="1"> <tr><td>MF</td><td></td></tr> <tr><td>SA</td><td></td></tr> <tr><td>KL</td><td></td></tr> <tr><td>HP</td><td></td></tr> <tr><td>SSC</td><td></td></tr> <tr><td>SMC</td><td></td></tr> <tr><td>W</td><td></td></tr> <tr><td>Z</td><td>✓</td></tr> <tr><td>PC</td><td></td></tr> </table>	MF		SA		KL		HP		SSC		SMC		W		Z	✓	PC	
MF																							
SA																							
KL																							
HP																							
SSC																							
SMC																							
W																							
Z	✓																						
PC																							
	<b>ACW20131</b> Outer Frame External Gasket	100	m	<b>W20110</b> <b>W20130</b>	<table border="1"> <tr><td>MF</td><td></td></tr> <tr><td>SA</td><td></td></tr> <tr><td>KL</td><td></td></tr> <tr><td>HP</td><td></td></tr> <tr><td>SSC</td><td></td></tr> <tr><td>SMC</td><td></td></tr> <tr><td>W</td><td></td></tr> <tr><td>Z</td><td>✓</td></tr> <tr><td>PC</td><td></td></tr> </table>	MF		SA		KL		HP		SSC		SMC		W		Z	✓	PC	
MF																							
SA																							
KL																							
HP																							
SSC																							
SMC																							
W																							
Z	✓																						
PC																							
	<b>ACW20133</b> Corner Moulding to suit ACW20130	12	pack	<b>W20110</b> <b>W20130</b> <b>ACW20130</b>	<table border="1"> <tr><td>MF</td><td></td></tr> <tr><td>SA</td><td></td></tr> <tr><td>KL</td><td></td></tr> <tr><td>HP</td><td></td></tr> <tr><td>SSC</td><td></td></tr> <tr><td>SMC</td><td></td></tr> <tr><td>W</td><td></td></tr> <tr><td>Z</td><td>✓</td></tr> <tr><td>PC</td><td></td></tr> </table>	MF		SA		KL		HP		SSC		SMC		W		Z	✓	PC	
MF																							
SA																							
KL																							
HP																							
SSC																							
SMC																							
W																							
Z	✓																						
PC																							
	<b>ACW20135</b> Cruciform Bracket	10	pack	W20130	<table border="1"> <tr><td>MF</td><td>✓</td></tr> <tr><td>SA</td><td></td></tr> <tr><td>KL</td><td></td></tr> <tr><td>HP</td><td></td></tr> <tr><td>SSC</td><td></td></tr> <tr><td>SMC</td><td></td></tr> <tr><td>W</td><td></td></tr> <tr><td>Z</td><td></td></tr> <tr><td>PC</td><td></td></tr> </table>	MF	✓	SA		KL		HP		SSC		SMC		W		Z		PC	
MF	✓																						
SA																							
KL																							
HP																							
SSC																							
SMC																							
W																							
Z																							
PC																							
<p>T-BARS ACVG65=2.5mm ACVG66=3.0mm ACVL150=4.0mm</p> <p>Screw (Grub)</p>	<b>MF</b> = Mill Finish <b>SA</b> = Silver Anodised <b>KL</b> = Basic Colour <b>HP</b> = Special Colour <b>SSC</b> = Smooth Satin Chrome <b>SMC</b> = Smokey Chrome <b>PC</b> = Polished Chrome	<b>W</b> = White <b>Z</b> = Black																					

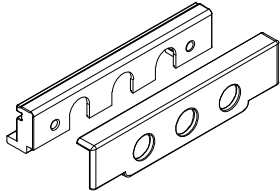
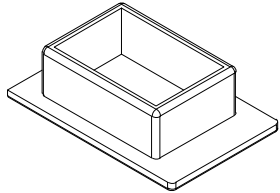
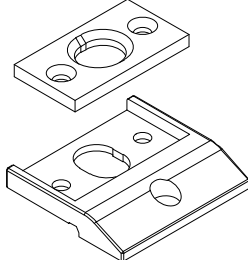
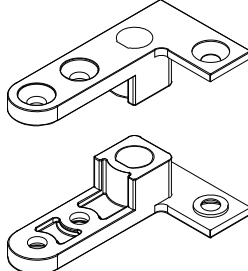
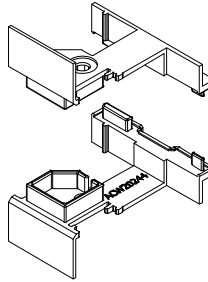



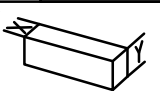
ACCESSORIES : PHOTOS & DRAWINGS

Image	Part Code	Pack	Unit	Application	Colour	
	<b>ACW20136</b>  Transom/Mullion Anti-Twist Clip	100	pack	W20130	MF	✓
					SA	
					KL	
					HP	
					SSC	
					SMC	
					W	
					Z	
					PC	
	<b>ACW20137</b>  Transom Bracket	24	pack	W20018	MF	✓
					SA	
					KL	
					HP	
					SSC	
					SMC	
					W	
					Z	
					PC	
	<b>ACW20139</b>  Transom Bracket	24	pack	W20135	MF	✓
					SA	
					KL	
					HP	
					SSC	
					SMC	
					W	
					Z	
					PC	
	<b>ACW20157</b>  Bridge Packer	100	pack	W20110 W20120 W20130	MF	
					SA	
					KL	
					HP	
					SSC	
					SMC	
					W	
					Z	✓
					PC	
	<b>ACW20160</b>  No.12 x 1" Pozi Flange Stainless Steel Self Tapper	100	pack	W20015 W20016 W20111	MF	✓
					SA	
					KL	
					HP	
					SSC	
					SMC	
					W	
					Z	
					PC	
 T-BARS ACVG65=2.5mm ACVG66=3.0mm ACVL150=4.0mm	 Screw (Grub)	MF = Mill Finish SA = Silver Anodised KL = Basic Colour HP = Special Colour SSC = Smooth Satin Chrome SMC = Smokey Chrome PC = Polished Chrome	W = White Z = Black			

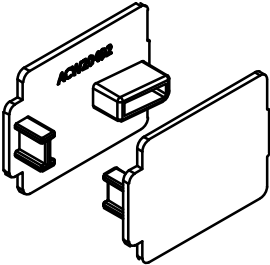
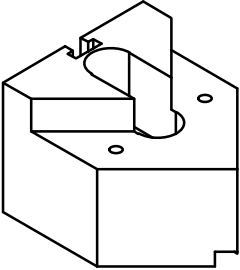
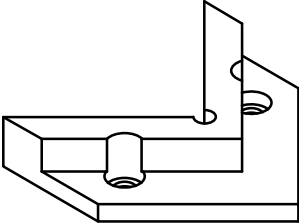
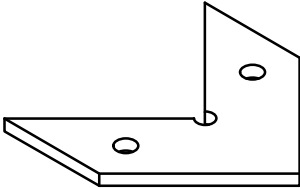
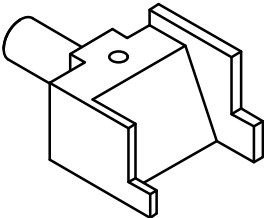

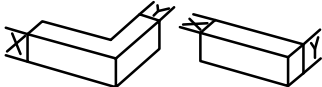
**ACCESSORIES : PHOTOS & DRAWINGS**

Image	Part Code	Pack	Unit	Application	Colour
	<b>ACW20165 L/R</b>  Art Deco Espag Handle  Antique Brass & Satin Nickle Plate Included Screws	1	each	<b>ACW201</b> <b>ACW202</b> <b>ACW203</b> <b>ACW204</b> <b>ACW205</b>	MF SA KL HP SSC SMC W Z PC
	<b>ACW20220</b>  Variable Cleat	24	pack	<b>W20110</b>	MF ✓ SA KL HP SSC SMC W Z PC
	<b>ACW20221</b>  Variable Cleat	24	pack	<b>W20120</b>	MF ✓ SA KL HP SSC SMC W Z PC
	<b>ACW20225</b>  M4 Fixing Plate	10	pack	<b>W20024</b> <b>W20025</b> <b>W20026</b> <b>W20028</b> <b>W20029</b>	MF ✓ SA KL HP SSC SMC W Z PC
	<b>ACW20228</b>  24mm Handle Fixing Block 2 piece	1	each	<b>W20027</b> <b>W20127</b> <b>W20168N</b>	MF ✓ SA KL ✓ HP SSC SMC W ✓ Z ✓ PC
	<p>T-BARS ACVG665=2.5mm ACVG666=3.0mm ACVL150=4.0mm</p> <p>Screw (Grub)</p> <p>MF = Mill Finish SA = Silver Anodised KL = Basic Colour HP = Special Colour SSC = Smooth Satin Chrome SMC = Smokey Chrome PC = Polished Chrome</p> <p>W = White Z = Black</p>				

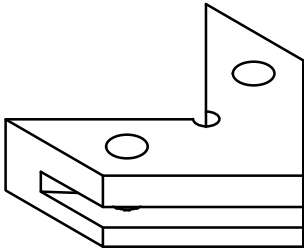
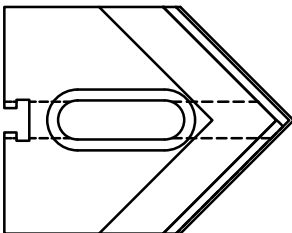
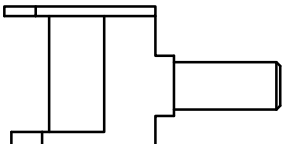
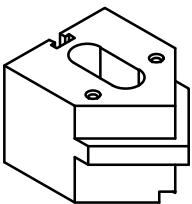
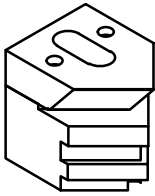


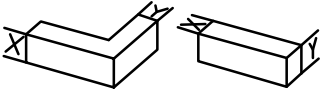
ACCESSORIES : PHOTOS & DRAWINGS

Image	Part Code	Pack	Unit	Application	Colour	
	<b>ACW20229</b>  28mm Handle Fixing Block 2 piece	1	each	<b>W20027</b> <b>W20127</b> <b>W20171</b>	MF	✓
					SA	
					KL	✓
					HP	
					SSC	
					SMC	
					W	✓
					Z	✓
					PC	
	<b>ACW20239</b>  End Cap for W20139	20	pack	W20139	MF	
					SA	
					KL	
					HP	
					SSC	
					SMC	
					W	✓
					Z	✓
					PC	
	<b>ACW20241</b>  Keep & Packer	1	kit	<b>W20244</b> <b>ACUN3050</b>	MF	
					SA	
					KL	
					HP	
					SSC	
					SMC	
					W	
					Z	✓
					PC	
	<b>ACW20242</b>  Shootbolt Guide	1	pair	<b>W20244</b> <b>ACUN3050</b>	MF	
					SA	
					KL	
					HP	
					SSC	
					SMC	
					W	
					Z	✓
					PC	
	<b>ACW20244</b>  W20244 End Cap	1	pair	W20244	MF	
					SA	
					KL	
					HP	
					SSC	
					SMC	
					W	✓
					Z	✓
					PC	
 T-BARS ACVG65=2.5mm ACVG66=3.0mm ACVL150=4.0mm	 Screw (Grub)	<b>MF</b> = Mill Finish <b>SA</b> = Silver Anodised <b>KL</b> = Basic Colour <b>HP</b> = Special Colour <b>SSC</b> = Smooth Satin Chrome <b>SMC</b> = Smokey Chrome <b>PC</b> = Polished Chrome	<b>W</b> = White <b>Z</b> = Black	 		

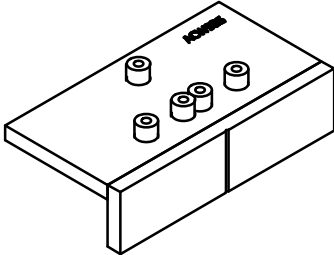
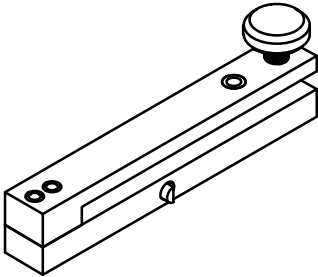
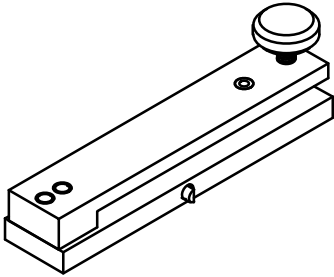

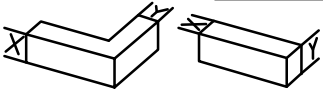
ACCESSORIES : PHOTOS & DRAWINGS

Image	Part Code	Pack	Unit	Application	Colour
	<b>ACW20492</b>  End Cap for W20492	<b>10</b>	<b>pack</b>	<b>W20492</b>	MF SA KL HP SSC SMC W Z ✓ PC
	<b>ACW906</b>  Vee Block	<b>1</b>	<b>each</b>	W20024 W20025 W20026 W20028 W20029 W20127 W20047 W20120 W20145 W20147	MF ✓ SA KL HP SSC SMC W Z PC
	<b>ACW907</b>  5.6mm Tufnel Packer	<b>1</b>	<b>each</b>	W20015 W20016 W20024 W20025 W20047 W20120 W20127 W20145 W20147	MF ✓ SA KL HP SSC SMC W Z PC
	<b>ACW908</b>  4mm Packer	<b>1</b>	<b>each</b>	W20026 W20028 W20047 W20145	MF ✓ SA KL HP SSC SMC W Z PC
	<b>ACW909</b>  Punches	<b>1</b>	<b>pair</b>	W20024 W20025 W20026 W20028 W20029	MF ✓ SA KL HP SSC SMC W Z PC
	T-BARS ACVG65=2.5mm ACVG66=3.0mm ACVL150=4.0mm  Screw (Grub)	MF = Mill Finish SA = Silver Anodised KL = Basic Colour HP = Special Colour SSC = Smooth Satin Chrome SMC = Smokey Chrome PC = Polished Chrome	W = White Z = Black		

**ACCESSORIES : PHOTOS & DRAWINGS**

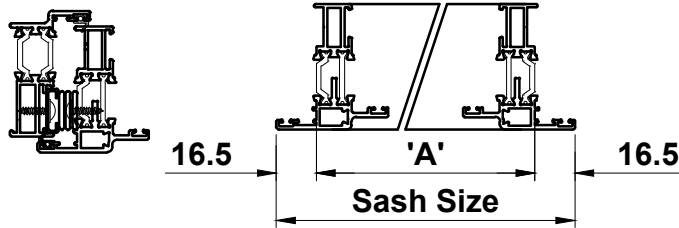
Image	Part Code	Pack	Unit	Application	Colour	
	<b>ACW916</b>  Support Packer	1	each	W20017	MF	✓
					SA	
					KL	
					HP	
					SSC	
					SMC	
					W	
					Z	
					PC	
	<b>ACW918</b>  Vee Block	1	each	W20018	MF	✓
					SA	
					KL	
					HP	
					SSC	
					SMC	
					W	
					Z	
					PC	
	<b>ACW919</b>  Punches	1	pair	W20120 W20145	MF	
					SA	
					KL	
					HP	
					SSC	
					SMC	
					W	
					Z	
					PC	
	<b>ACW922</b>  Vee Block	1	each	W20110	MF	✓
					SA	
					KL	
					HP	
					SSC	
					SMC	
					W	
					Z	
					PC	
	<b>ACW926</b>  Vee Block	1	each	W20114	MF	✓
					SA	
					KL	
					HP	
					SSC	
					SMC	
					W	
					Z	
					PC	
 T-BARS ACVG65=2.5mm ACVG66=3.0mm ACVL150=4.0mm	 Screw (Grub)	<b>MF</b> = Mill Finish <b>SA</b> = Silver Anodised <b>KL</b> = Basic Colour <b>HP</b> = Special Colour <b>SSC</b> = Smooth Satin Chrome <b>SMC</b> = Smokey Chrome <b>PC</b> = Polished Chrome	<b>W</b> = White <b>Z</b> = Black			

**ACCESSORIES : PHOTOS & DRAWINGS**

Image	Part Code	Pack	Unit	Application	Colour	
	<b>ACW935</b>  Transom Drill Jig	1	each	<b>ACW20135</b> <b>W20130</b>	MF <input checked="" type="checkbox"/>	
					SA <input type="checkbox"/>	
					KL <input type="checkbox"/>	
					HP <input type="checkbox"/>	
					SSC <input type="checkbox"/>	
					SMC <input type="checkbox"/>	
					W <input type="checkbox"/>	
					Z <input type="checkbox"/>	
					PC <input type="checkbox"/>	
	<b>ACW937</b>  Drill Jig for W20110	1	each	<b>ACW20220</b> <b>W20110</b>	MF <input checked="" type="checkbox"/>	
					SA <input type="checkbox"/>	
					KL <input type="checkbox"/>	
					HP <input type="checkbox"/>	
					SSC <input type="checkbox"/>	
					SMC <input type="checkbox"/>	
					W <input type="checkbox"/>	
					Z <input type="checkbox"/>	
					PC <input type="checkbox"/>	
	<b>ACW938</b>  Drill Jig for W20120	1	each	<b>ACW20221</b> <b>W20120</b>	MF <input checked="" type="checkbox"/>	
					SA <input type="checkbox"/>	
					KL <input type="checkbox"/>	
					HP <input type="checkbox"/>	
					SSC <input type="checkbox"/>	
					SMC <input type="checkbox"/>	
					W <input type="checkbox"/>	
					Z <input type="checkbox"/>	
					PC <input type="checkbox"/>	
					MF <input type="checkbox"/>	
					SA <input type="checkbox"/>	
					KL <input type="checkbox"/>	
					HP <input type="checkbox"/>	
					SSC <input type="checkbox"/>	
					SMC <input type="checkbox"/>	
					W <input type="checkbox"/>	
					Z <input type="checkbox"/>	
					PC <input type="checkbox"/>	
 <p>T-BARS ACVG65=2.5mm ACVG66=3.0mm ACVL150=4.0mm</p> <p>Screw (Grub)</p>	<b>MF</b> = Mill Finish <b>SA</b> = Silver Anodised <b>KL</b> = Basic Colour <b>HP</b> = Special Colour <b>SSC</b> = Smooth Satin Chrome <b>SMC</b> = Smokey Chrome <b>PC</b> = Polished Chrome				W = White	
					Z = Black	
						



Friction Hinge Stays  
13mm Stack (Standard)



### Top Hung Windows

Top Hung	Type of Hinge / Stay	Max. Vent	Height ('A')		Opening Angle (+/- 2.5°)
		Weight (kgs)	Minimum	Maximum	
ACINDS10	Standard	16	275	400	80°
ACINDS16		21	400	780	80°
ACINDS20		26	700	1100	50°
ACINDS24		40	850	1300	37.5°
ACINDP24		50	850	1500	32°
ACINDA10	Austenitic	16	275	400	80°
ACINDA16		21	400	780	80°
ACINDA20		26	700	1100	50°
ACINDA24		40	850	1300	37.5°
ACINDR12	Restricted	20	350	550	14°/65°
ACINDR16		21	500	780	10°/59°
ACINDR20		26	700	1100	8°/50°
ACINDR24		40	850	1300	7°/37.5°

### Side Hung Windows

Side Hung	Type of Hinge / Stay	Max. Vent	Width ('A')		Opening Angle (+/- 2.5°)
		Weight (kgs)	Minimum	Maximum	
ACINDSSH12	Standard	22	300	600	60°
ACINDSSH16		24	400	600	60°
ACINDASH12	Austenitic	22	300	600	60°
ACINDASH16		24	400	600	60°
ACETSH1312L ACETSH1312R	Restricted Left Hand R/H Non-Restricted Right Hand L/H Non-Restricted	22	300	600	13°/58°
ACETSH1316L ACETSH1316R	VIEWED FROM OUTSIDE L/H Restricted R/H Restricted	24	400	600	11°/58°
ACETME13	Egress *use with ACET352 pull in blocks	40	365	865	90°

Note1: Vent Height / Width is measured in mm from rebate to rebate (not overall size or outer frame)

Note2: Top hung height and side hung width sizes to be reduced by 2mm where size is 450mm or smaller

Note3: Typical Dimensions based on Max. Size and Glass 30kg/metre

Note4: For additional security use ACET513 hinge protectors

Note5: Kitemark specification covers Top Hung Max. height up to 1400mm. ACINDP24 Max. height is 1500mm

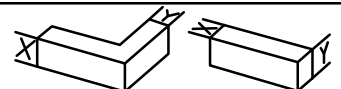
Note6: For sashes over 600mm, ACETME99 is recommended for ACETME13 to disable easy clean function

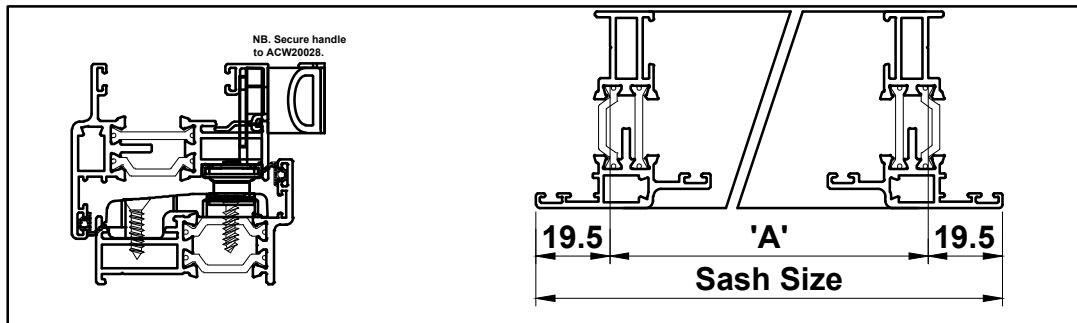


T-BARS  
ACV666=2.5mm  
ACV666=3.0mm  
ACVL150=4.0mm



Screw (Grub)

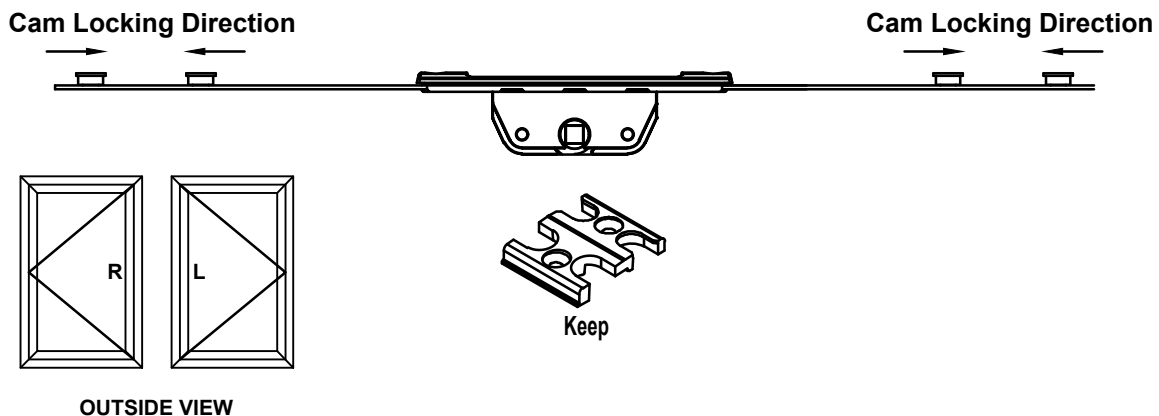




Part Code	Rod Length (mm)	Number of Keeps	Sash Rebate Size ('A')	
			Minimum	Maximum
ACW201L	335	2	340	505
ACW201R				
ACW202L	500	2	506	755
ACW202R				
ACW203L	750	2	756	1005
ACW203R				
ACW204L	1000	4	1006	1255
ACW204R				
ACW205L	1250	4	1256	1400
ACW205R				

**Note:**

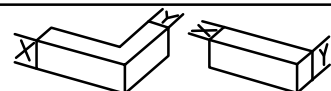
- 1, To Suit Handle ACET165.
- 2, Not suitable for W20122.
- 3, When using ACW20060 as a window hinge, locks require a further 2mm deduction from the sash locking edge for sashes between 601-700mm.



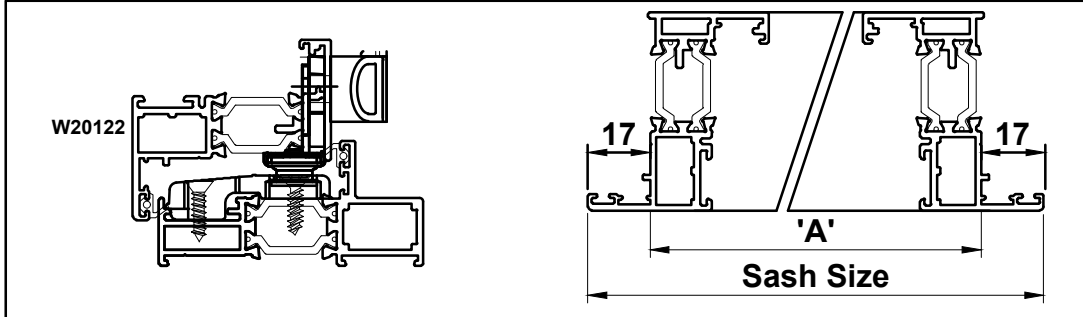
T-BARS  
ACVG85=2.5mm  
ACVG66=3.0mm  
ACVL150=4.0mm



Screw (Grub)

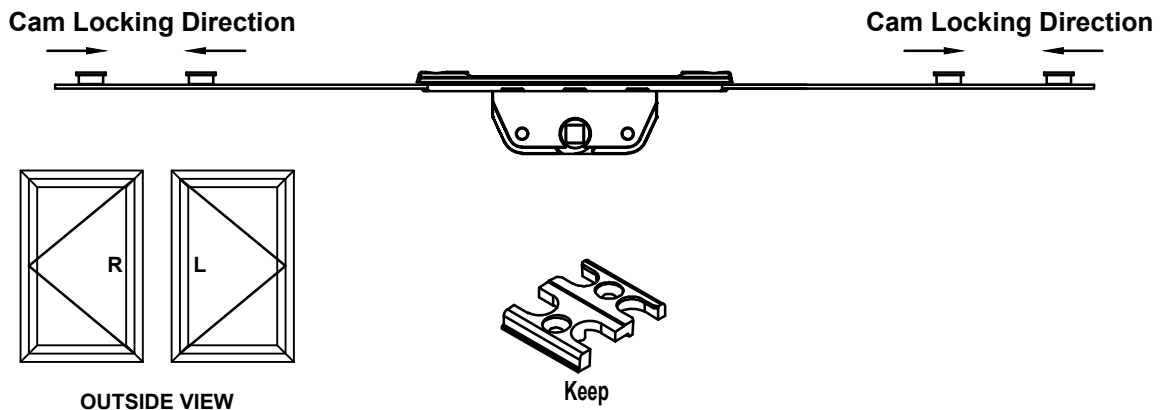


**W20122 Lock Options**



Part Code	Rod Length (mm)	Number of Keeps	Sash Rebate Size ('A')	
			Minimum	Maximum
ACET301L	335	2	340	505
ACET301R				
ACET302L	500	2	506	755
ACET302R				
ACET303L	750	2	756	1005
ACET303R				
ACET304L	1000	4	1006	1255
ACET304R				
ACET305L	1250	4	1256	1400
ACET305R				

**Note: To Suit Handle ACET165**



T-BARS  
ACVG66=2.5mm  
ACVG66=3.0mm  
ACVL150=4.0mm



Screw (Grub)

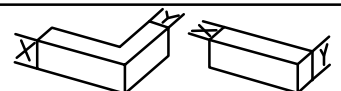
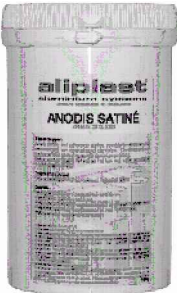


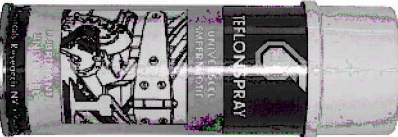



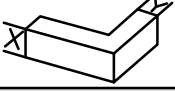
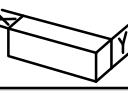



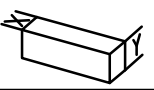









Image	Part Code	Pack	Unit	Application	Colour
	<b>ACMX09700</b>  <b>Alu-Polish</b>  <b>Cleaning emulsion for aluminium oxide.</b>	<b>1</b>	<b>each</b>		MF <input checked="" type="checkbox"/> SA <input type="checkbox"/> KL <input type="checkbox"/> HP <input type="checkbox"/> SSC <input type="checkbox"/> SMC <input type="checkbox"/> W <input type="checkbox"/> Z <input type="checkbox"/> PC <input type="checkbox"/>
	<b>ACMX09761</b>  <b>Maxi Gloss</b>  <b>Protection for painted and anodised surfaces.</b>	<b>1</b>	<b>each</b>		MF <input type="checkbox"/> SA <input type="checkbox"/> KL <input type="checkbox"/> HP <input type="checkbox"/> SSC <input type="checkbox"/> SMC <input type="checkbox"/> W <input type="checkbox"/> Z <input type="checkbox"/> PC <input type="checkbox"/>
	<b>ACMX09762</b>  <b>Alu. Bright</b>  <b>Cleaner for rough, anodised or enamelled aluminium frames.</b>	<b>1</b>	<b>each</b>		MF <input type="checkbox"/> SA <input type="checkbox"/> KL <input type="checkbox"/> HP <input type="checkbox"/> SSC <input type="checkbox"/> SMC <input type="checkbox"/> W <input type="checkbox"/> Z <input type="checkbox"/> PC <input type="checkbox"/>
	<b>ACMX09763</b>  <b>Teflon Spray</b>  <b>Lubricant</b>	<b>1</b>	<b>each</b>		MF <input type="checkbox"/> SA <input type="checkbox"/> KL <input type="checkbox"/> HP <input type="checkbox"/> SSC <input type="checkbox"/> SMC <input type="checkbox"/> W <input type="checkbox"/> Z <input type="checkbox"/> PC <input type="checkbox"/>
	<b>ACMX09764</b>  <b>Maxi Cleaner</b>  <b>For cleaning oily surfaces.</b>	<b>1</b>	<b>each</b>		MF <input type="checkbox"/> SA <input type="checkbox"/> KL <input type="checkbox"/> HP <input type="checkbox"/> SSC <input type="checkbox"/> SMC <input type="checkbox"/> W <input type="checkbox"/> Z <input type="checkbox"/> PC <input type="checkbox"/>
 T-BARS ACVG66=2.5mm ACVG66=3.0mm ACVL150=4.0mm  Screw (Grub)	<b>MF</b> = Mill Finish <b>SA</b> = Silver Anodised <b>KL</b> = Basic Colour <b>HP</b> = Special Colour <b>SSC</b> = Smooth Satin Chrome <b>SMC</b> = Smokey Chrome <b>PC</b> = Polished Chrome  <b>W</b> = White <b>Z</b> = Black	 			




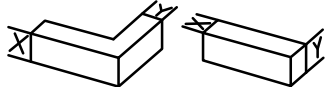
STANDARD ACCESSORIES

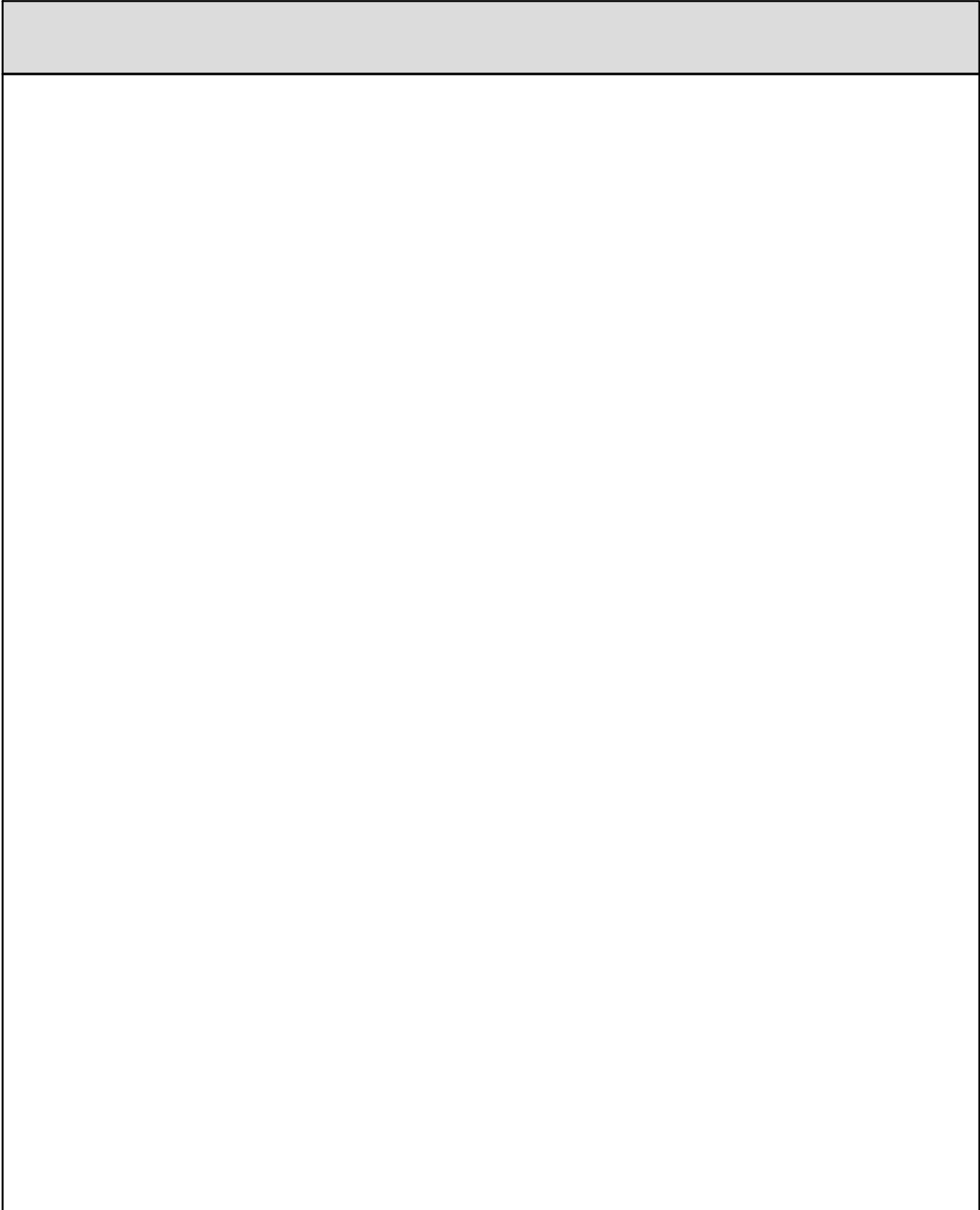
Image	Part Code	Pack	Unit	Application	Colour
	<b>ACMX09765</b>  <b>Glue Cleaner</b>  <b>De-grease and silicone remover (1 Litre).</b>	<b>1</b>	<b>each</b>		MF SA KL HP SSC SMC W Z PC
	<b>ACMX09770</b>  <b>Roll &amp; Wrap 100mm</b>	<b>1</b>	<b>each</b>		MF SA KL HP SSC SMC W Z PC
	<b>ACMX09775</b>  <b>Grip Handwrap</b>	<b>1</b>	<b>each</b>		MF SA KL HP SSC SMC W Z PC
	<b>ACMX09801</b>  <b>Protective Tape 50mm</b>	<b>1</b>	<b>each</b>		MF SA KL HP SSC SMC W Z PC
	<b>ACMX09802</b>  <b>Protective Tape 70mm</b>	<b>1</b>	<b>each</b>		MF SA KL HP SSC SMC W Z PC
 <p>T-BARS ACVG66=2.5mm ACVG66=3.0mm ACVL150=4.0mm</p>  <p>Screw (Grub)</p>	<b>MF</b> = Mill Finish <b>SA</b> = Silver Anodised <b>KL</b> = Basic Colour <b>HP</b> = Special Colour <b>SSC</b> = Smooth Satin Chrome <b>SMC</b> = Smokey Chrome <b>PC</b> = Polished Chrome	<b>W</b> = White <b>Z</b> = Black		 	

STANDARD ACCESSORIES

Image	Part Code	Pack	Unit	Application	Colour	
	<b>ACMX09803</b>  <b>Protective Tape 100mm</b>	1	each		MF	
					SA	
					KL	
					HP	
					SSC	
					SMC	
					W	
					Z	
					PC	
						<b>ACSIL05</b>  <b>Rubber Sealant</b>
SA						
KL						
HP						
SSC						
SMC						
W						
Z						
PC						
	<b>ACSIL04</b>  <b>Sealing Glue</b> <b>Order with suffix of KL</b> <b>colour (eg.ACSIL04KL005)</b> <b>or BL=Black/WP=White/</b> <b>CL=Clear</b>	1	each			
					SA	
					KL	✓
					HP	
					SSC	
					SMC	
					W	✓
					Z	✓
					PC	
						<b>ACSIL08</b>  <b>Silicon Gun</b>
SA						
KL						
HP						
SSC						
SMC						
W						
Z						
PC						
	<b>ACSIL013</b>  <b>Glue for Mitre</b>	1	each			
					SA	
					KL	
					HP	
					SSC	
					SMC	
					W	
					Z	
					PC	
					 <small>T-BARS ACVG65=2.5mm ACVG66=3.0mm ACVL150=4.0mm</small>	 <small>Screw (Grub)</small>

STANDARD ACCESSORIES

Image	Part Code	Pack	Unit	Application	Colour	
	<b>ACSIL014</b>  <b>Anti-Corrosion Coating</b>	<b>1</b>	<b>each</b>		MF	✓
					SA	
					KL	
					HP	
					SSC	
					SMC	
					W	
					Z	
					PC	
	<b>ACUN3900</b>  <b>Gasket Roller</b>	<b>1</b>	<b>Each</b>	<b>Wedge Gaskets</b>	MF	
					SA	
					KL	
					HP	
					SSC	
					SMC	
					W	
					Z	
					PC	
					MF	
					SA	
					KL	
					HP	
					SSC	
					SMC	
					W	
					Z	
					PC	
					MF	
					SA	
					KL	
					HP	
					SSC	
					SMC	
					W	
					Z	
					PC	
	<b>MF = Mill Finish</b> <b>SA = Silver Anodised</b> <b>KL = Basic Colour</b> <b>HP = Special Colour</b> <b>SSC = Smooth Satin Chrome</b> <b>SMC = Smokey Chrome</b> <b>PC = Polished Chrome</b>					<b>W = White</b> <b>Z = Black</b>
						



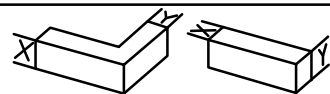
T-BARS  
ACVG665=2.5mm  
ACVG666=3.0mm  
ACVL150=4.0mm



Screw (Grub)

MF = Mill Finish  
SA = Silver Anodised  
KL = Basic Colour  
HP = Special Colour  
SSC = Smooth Satin Chrome  
SMC = Smokey Chrome  
PC = Polished Chrome

W = White  
Z = Black

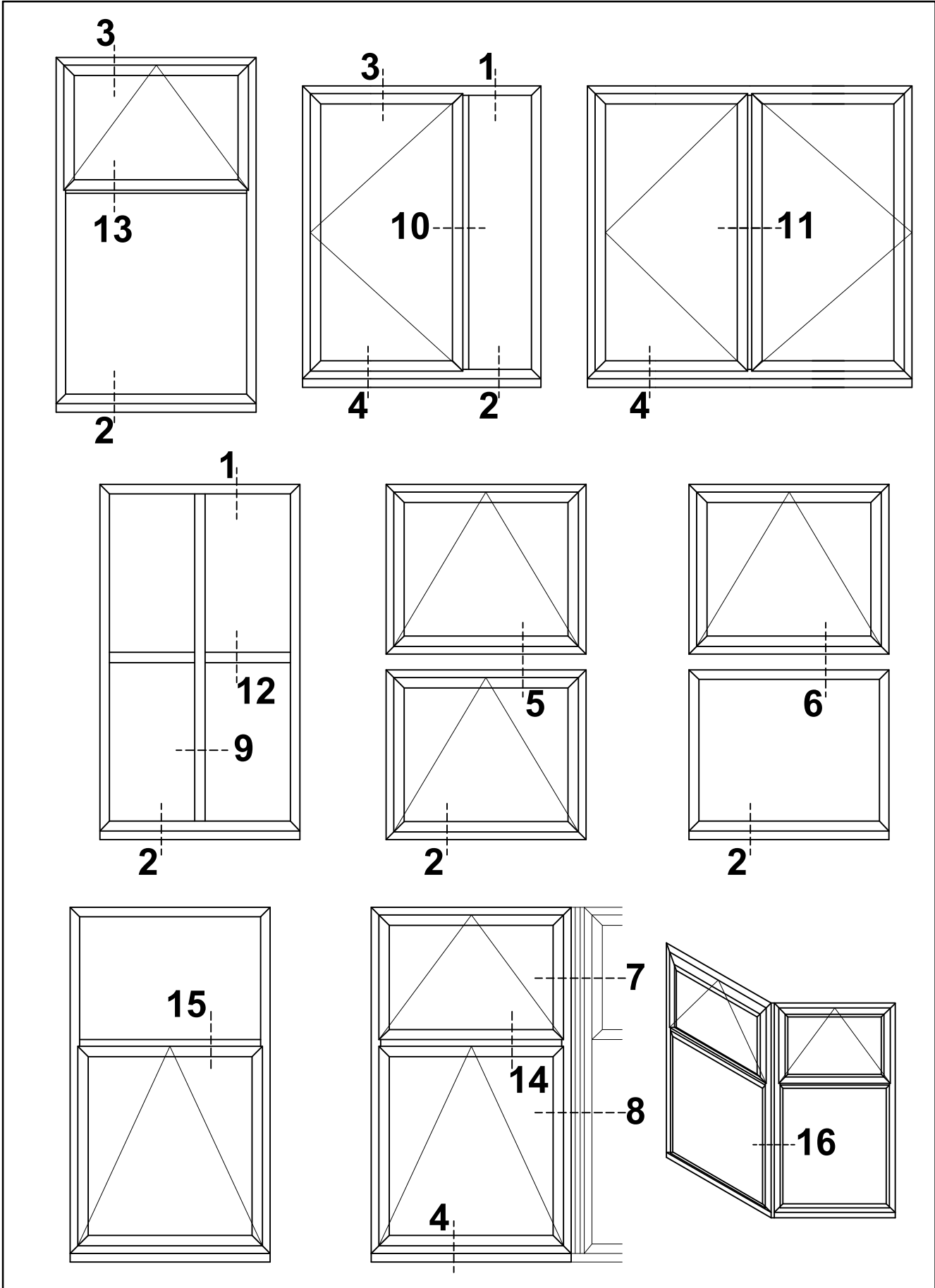




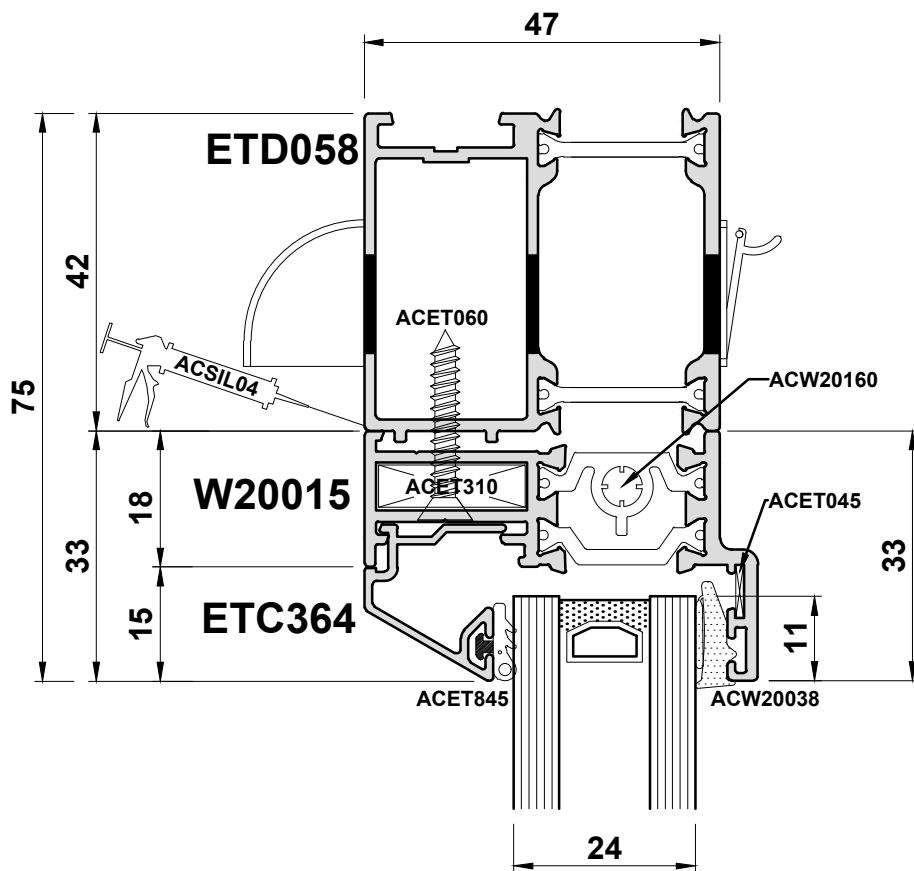
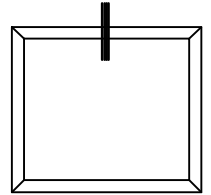
**Section C**

**Sections**

**Scale Elevations**

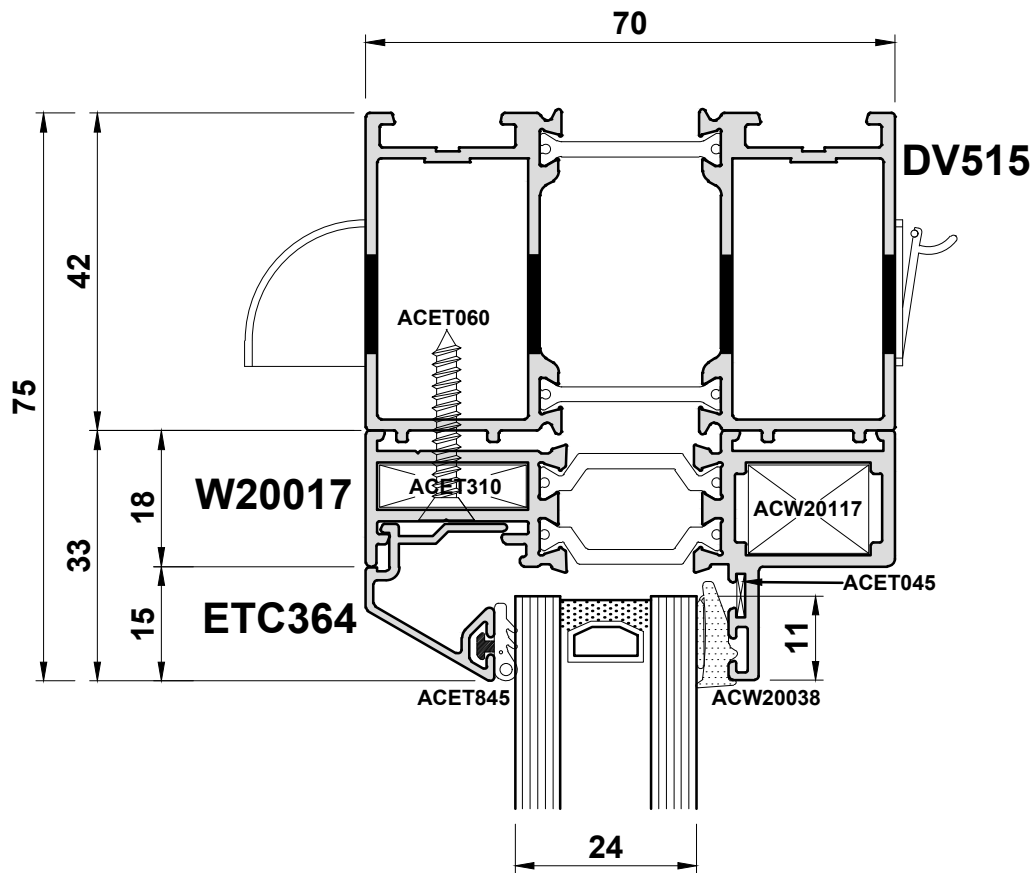
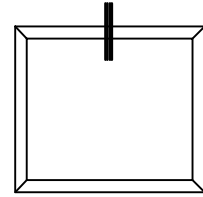


## Detail 1A



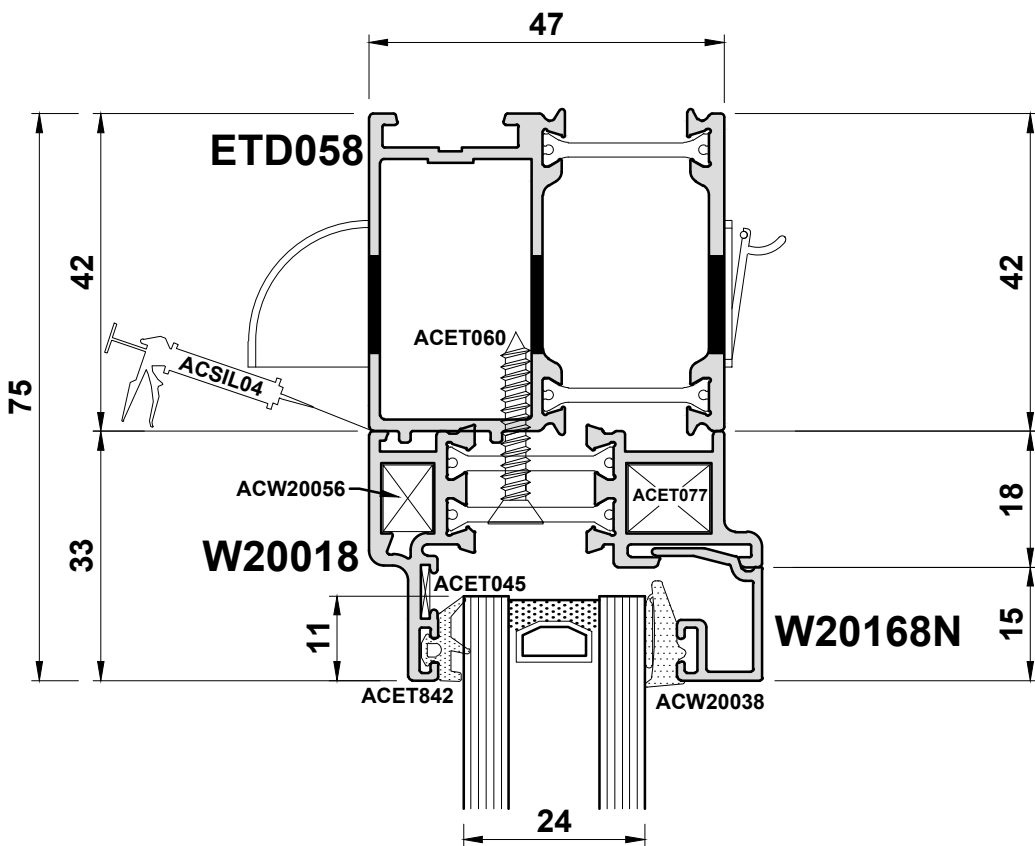
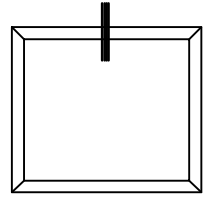
Do Not Scale From This Drawing

**Detail 1B**



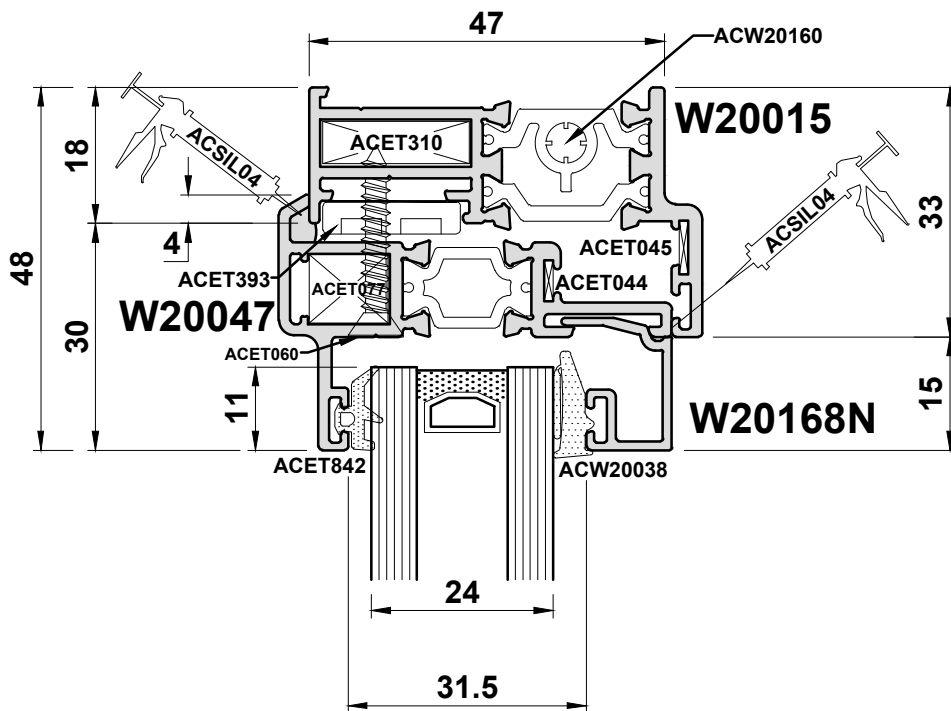
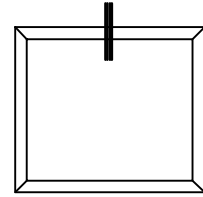
**Do Not Scale From This Drawing**

**Detail 1C**



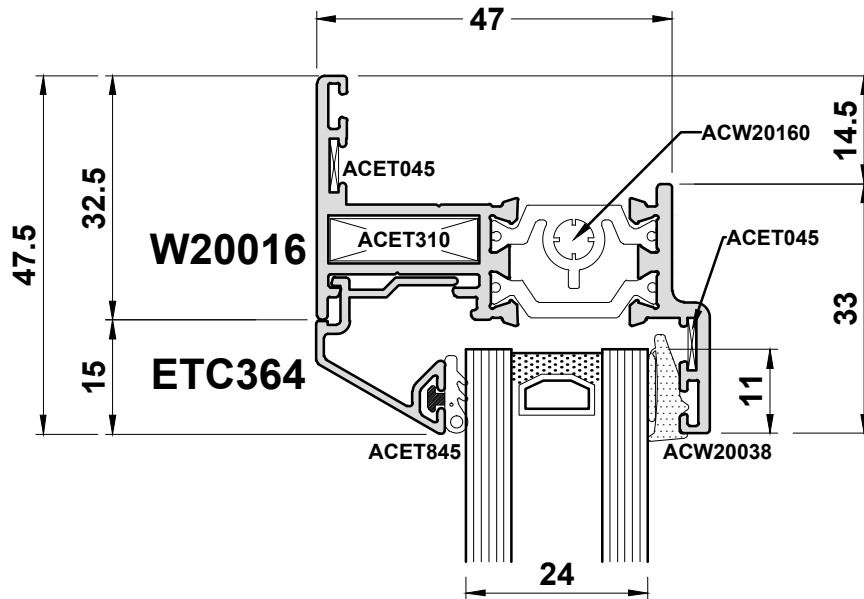
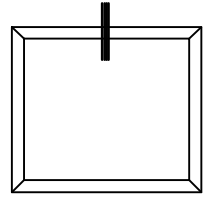
**Do Not Scale From This Drawing**

## Detail 1D



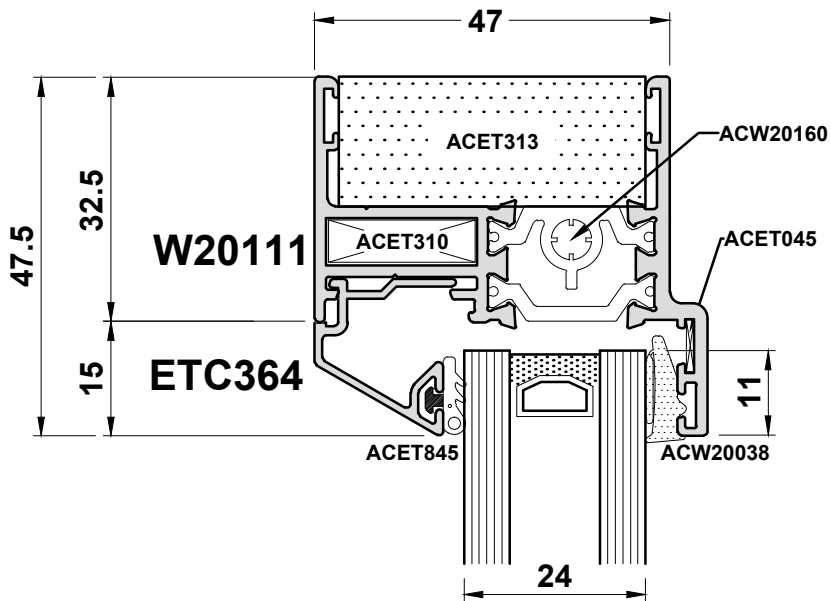
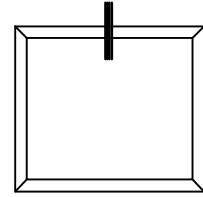
**Do Not Scale From This Drawing**

## Detail 1E



Do Not Scale From This Drawing

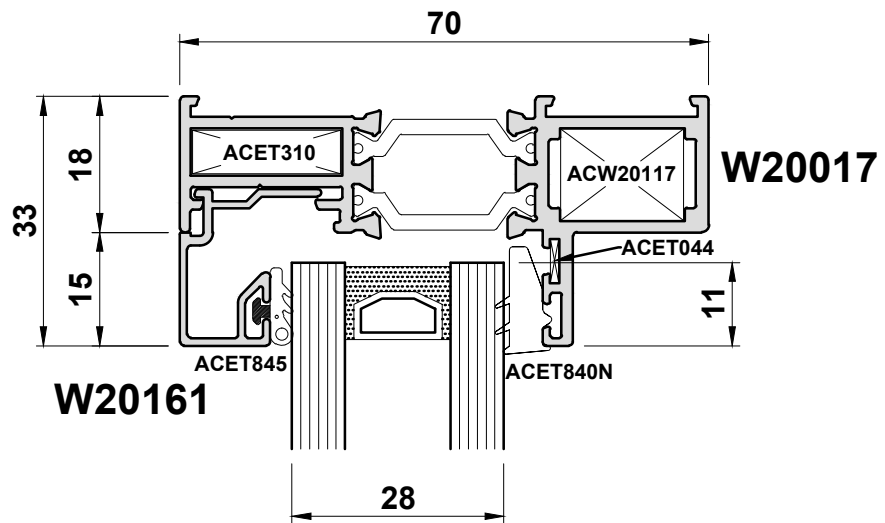
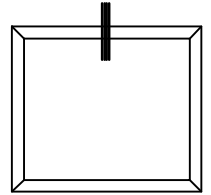
## Detail 1F



Do Not Scale From This Drawing

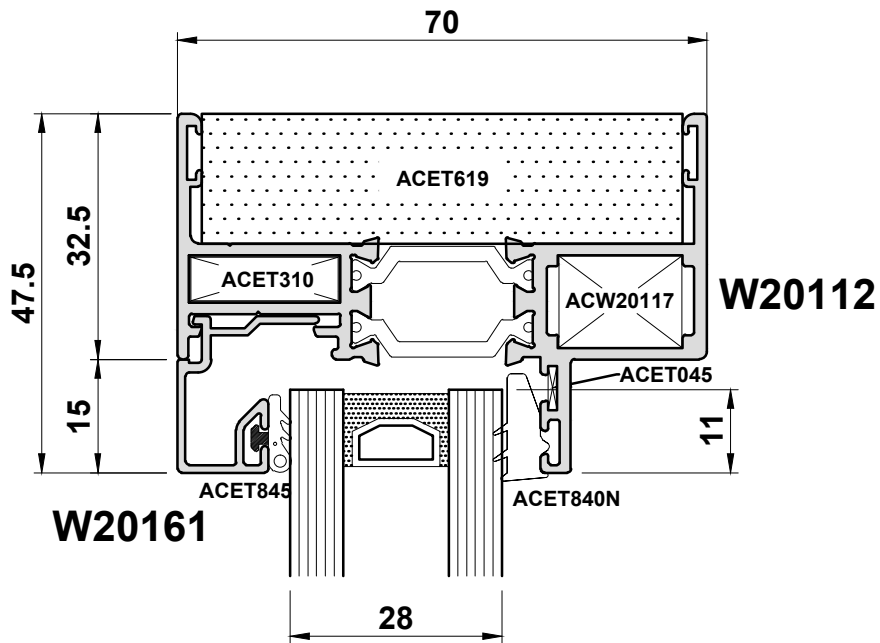
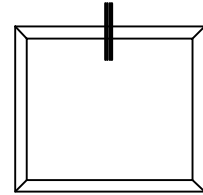


## Detail 1G



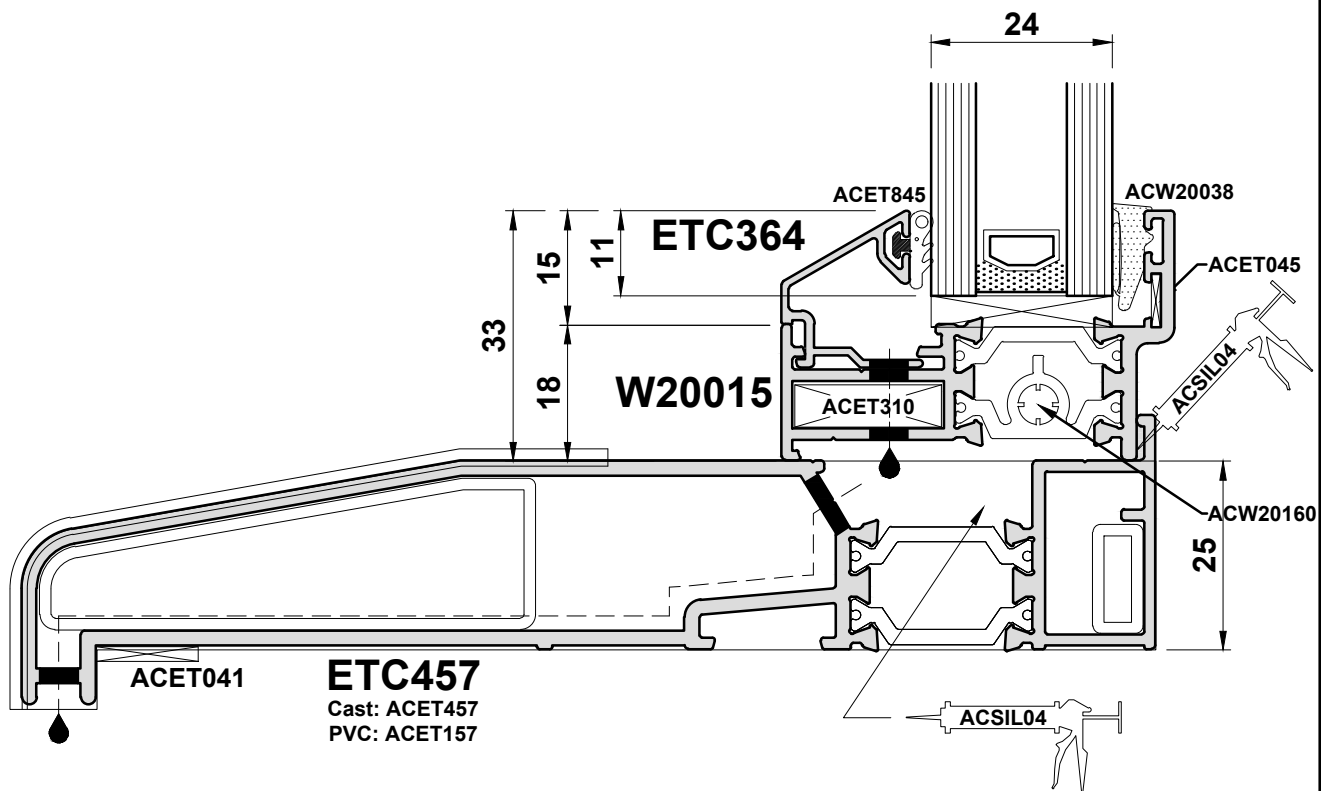
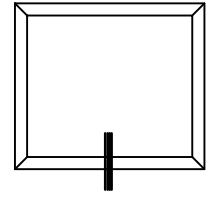
Do Not Scale From This Drawing

## Detail 1H



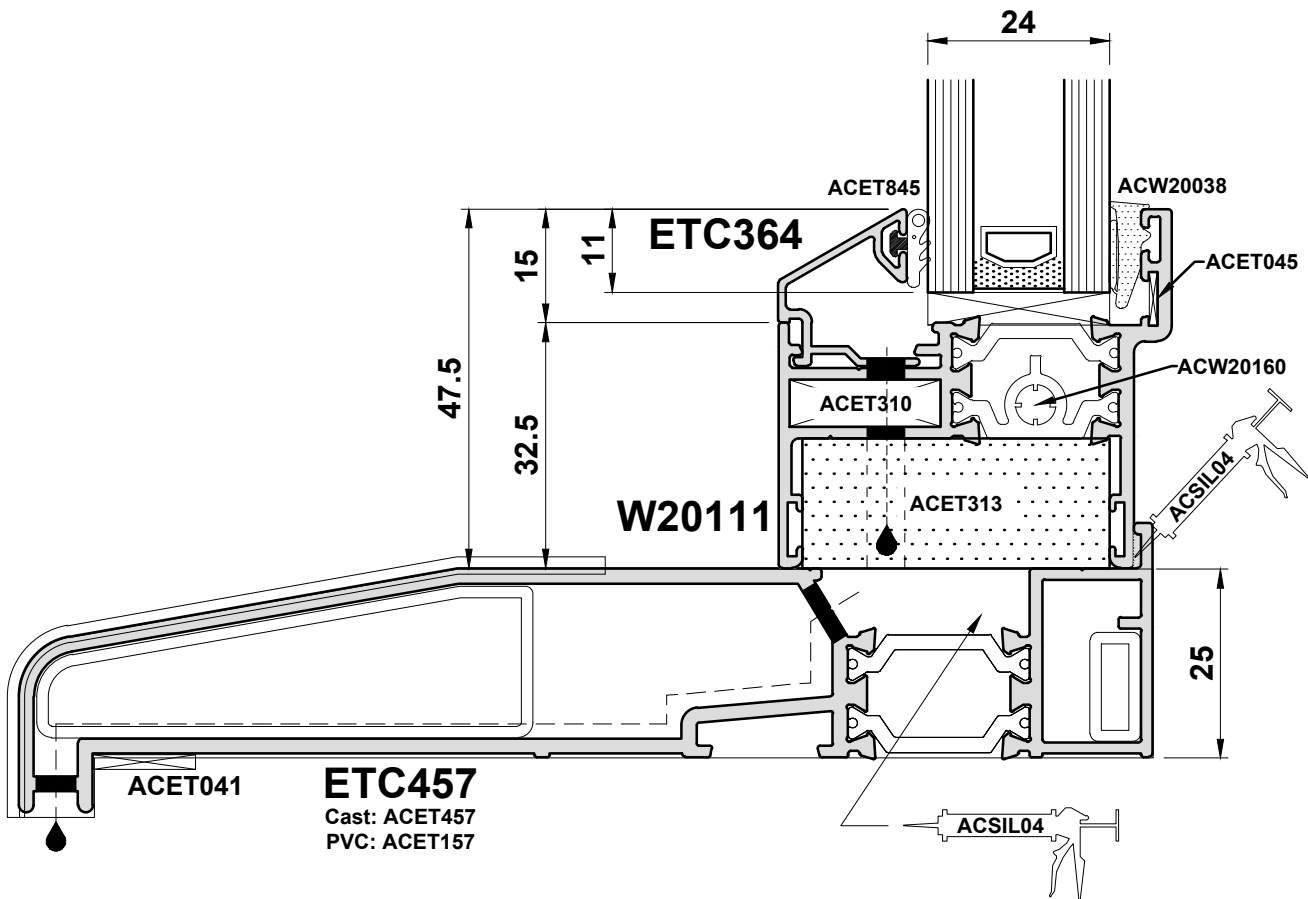
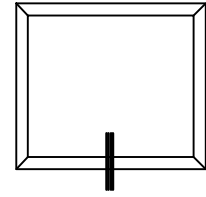
Do Not Scale From This Drawing

## Detail 2A



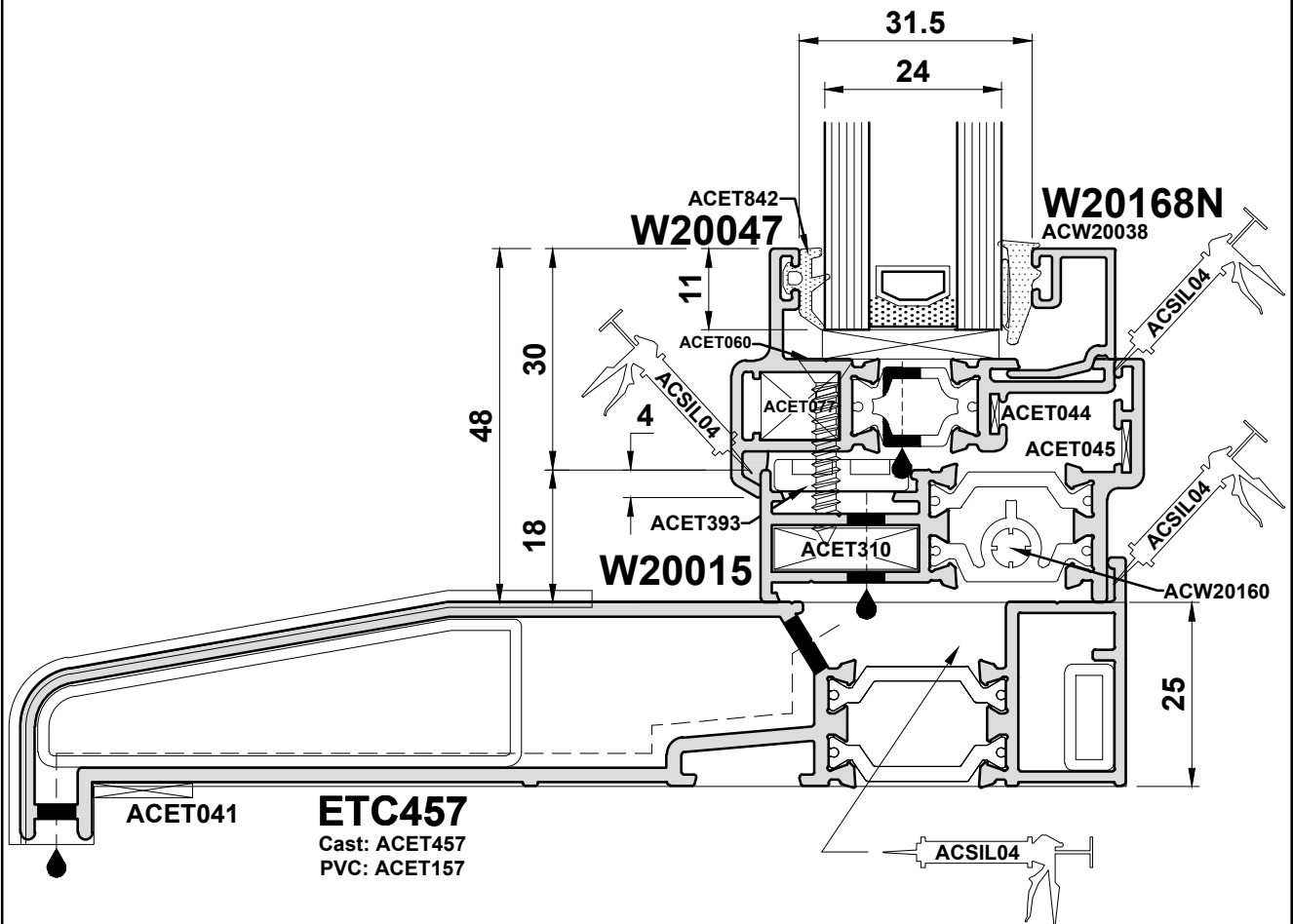
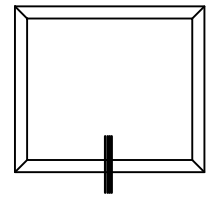
Do Not Scale From This Drawing

## Detail 2B



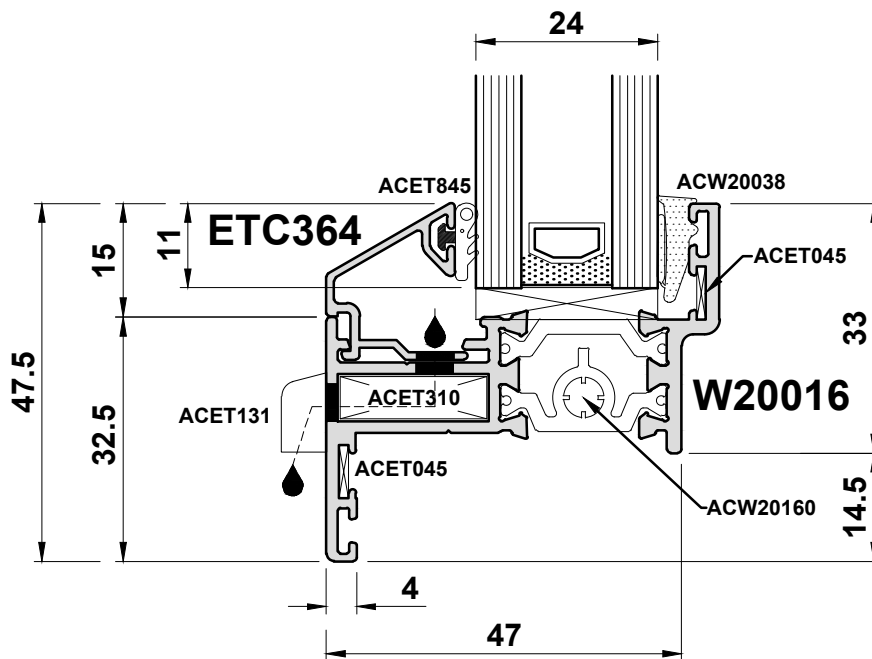
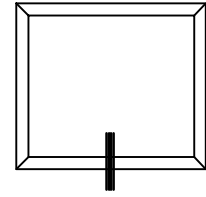
Do Not Scale From This Drawing

**Detail 2C**



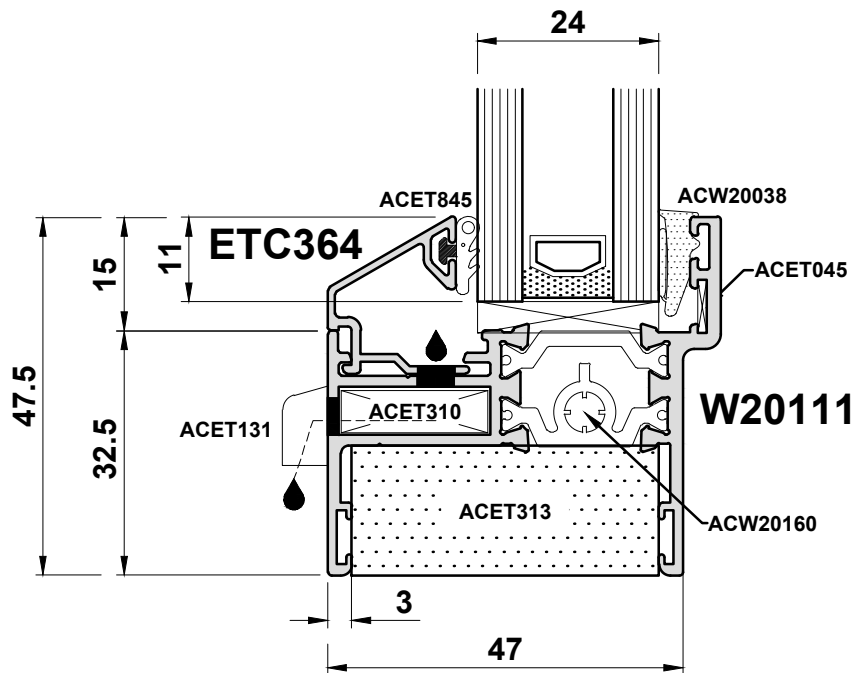
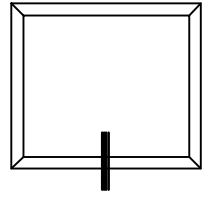
**Do Not Scale From This Drawing**

Detail 2D



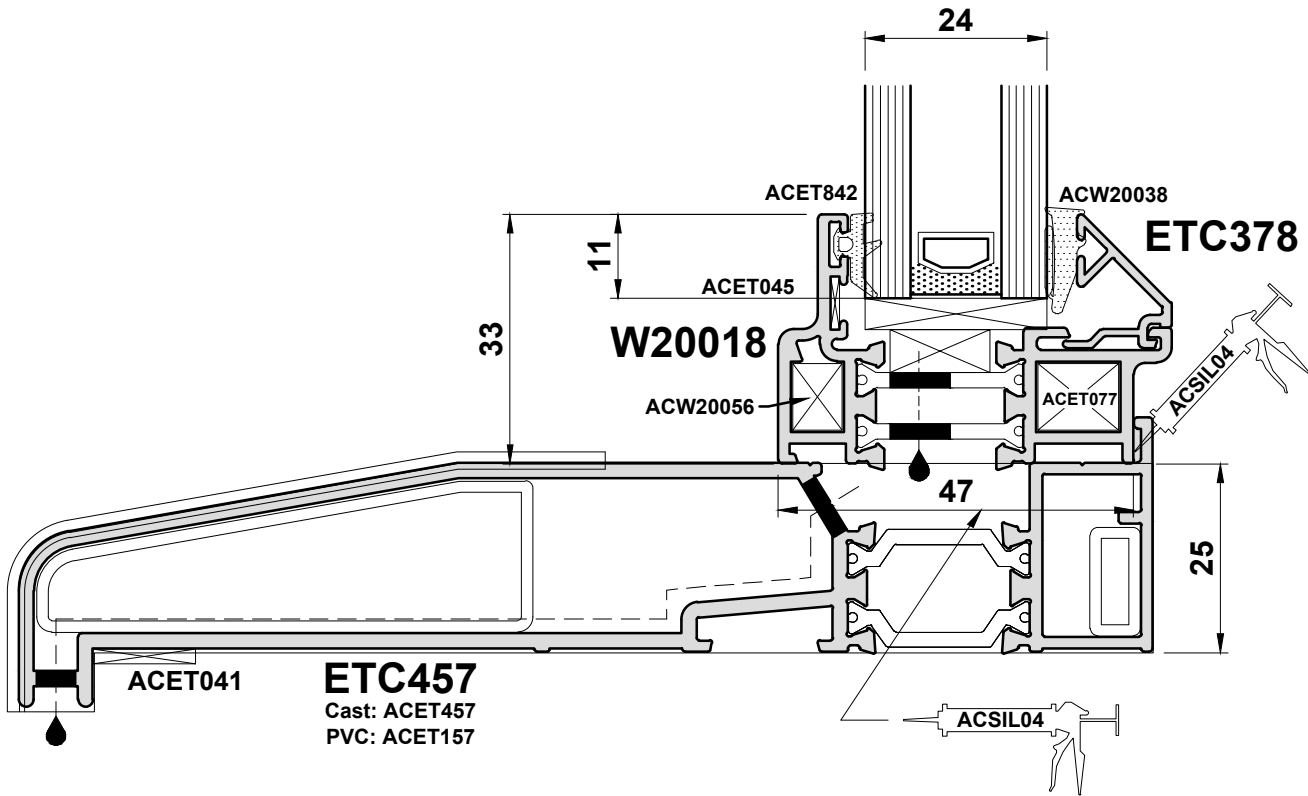
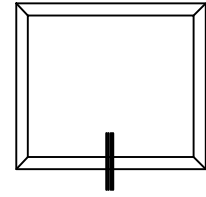
Do Not Scale From This Drawing

## Detail 2E



Do Not Scale From This Drawing

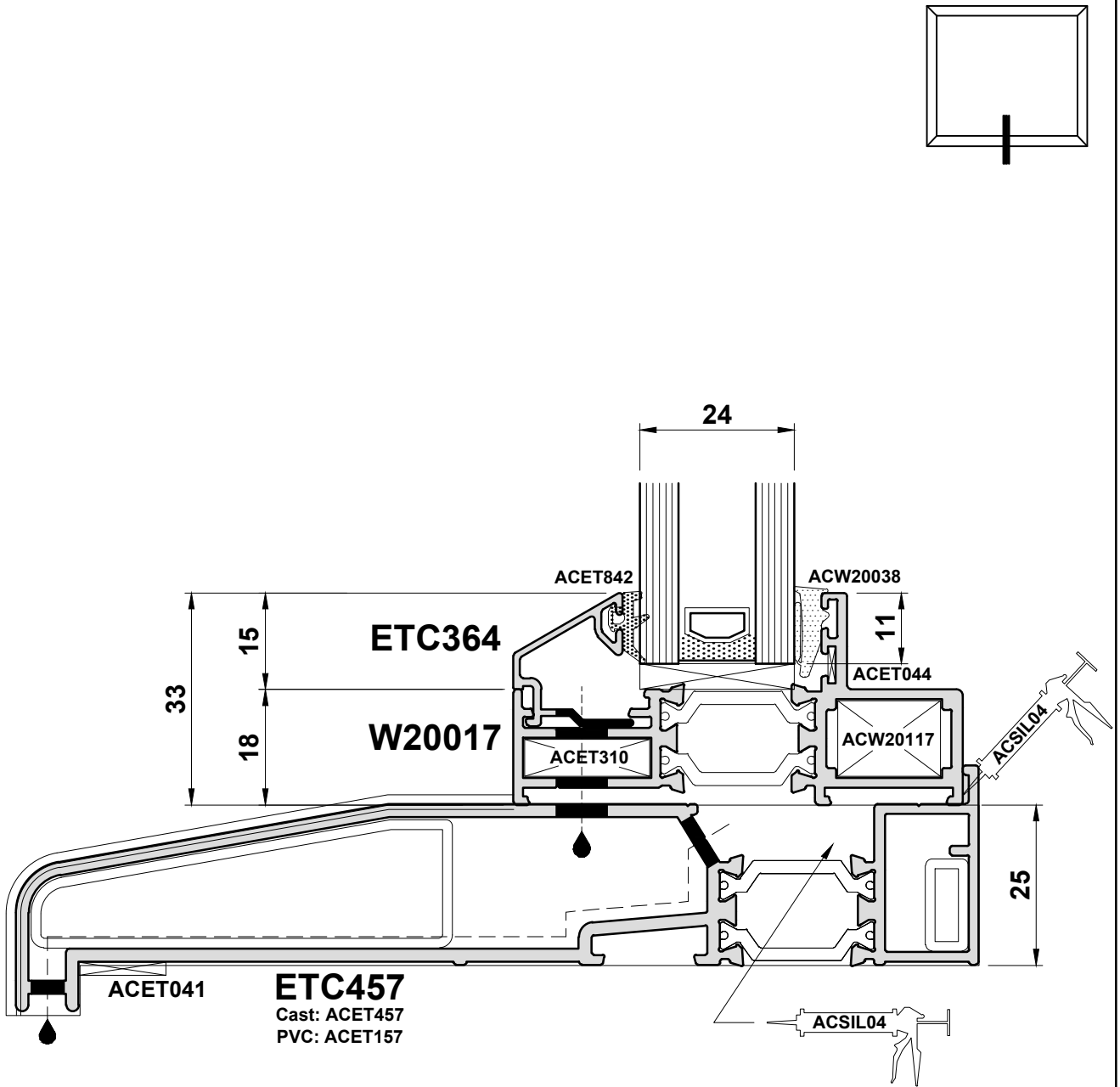
## Detail 2F



Do Not Scale From This Drawing

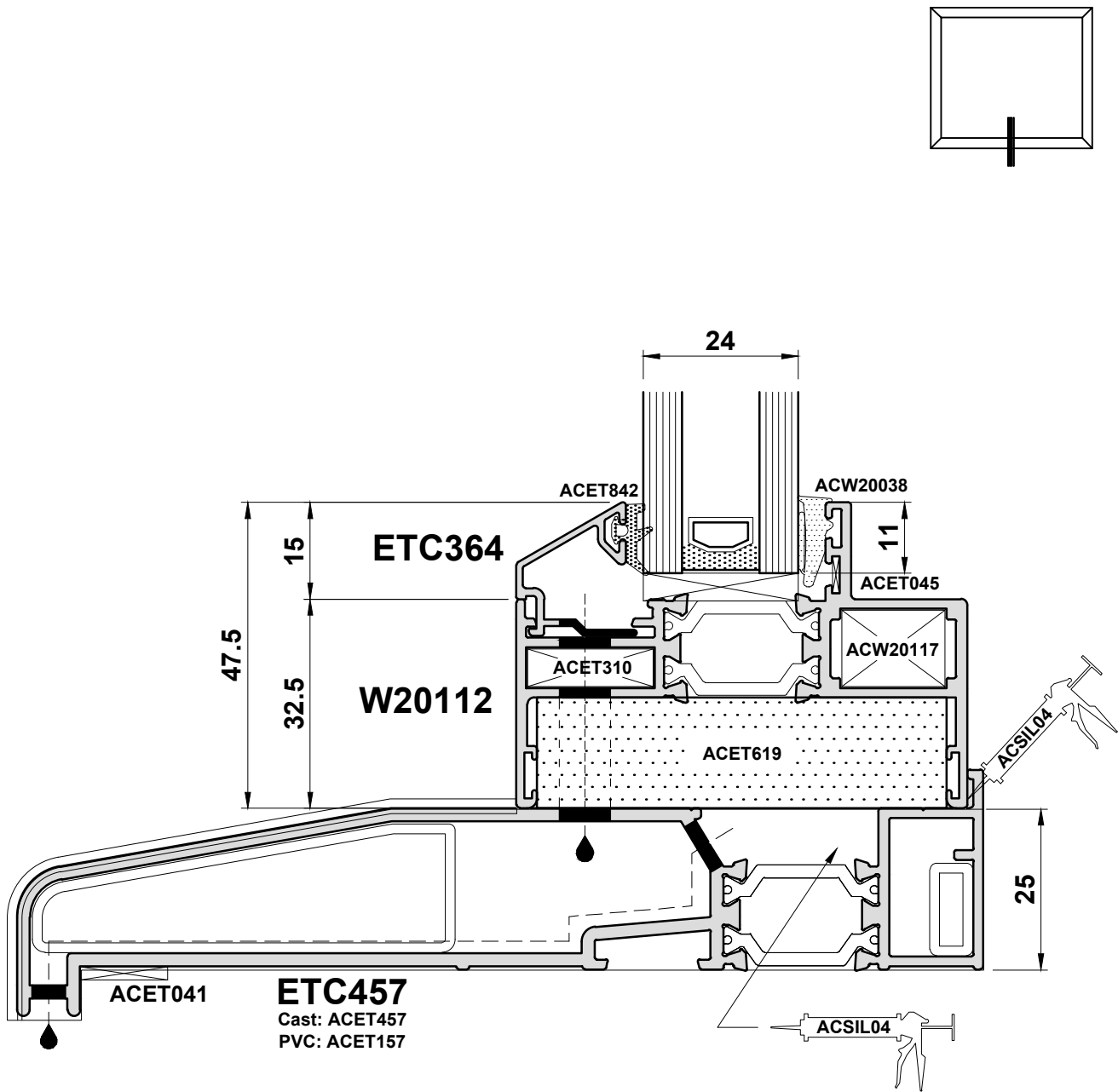


## Detail 2G



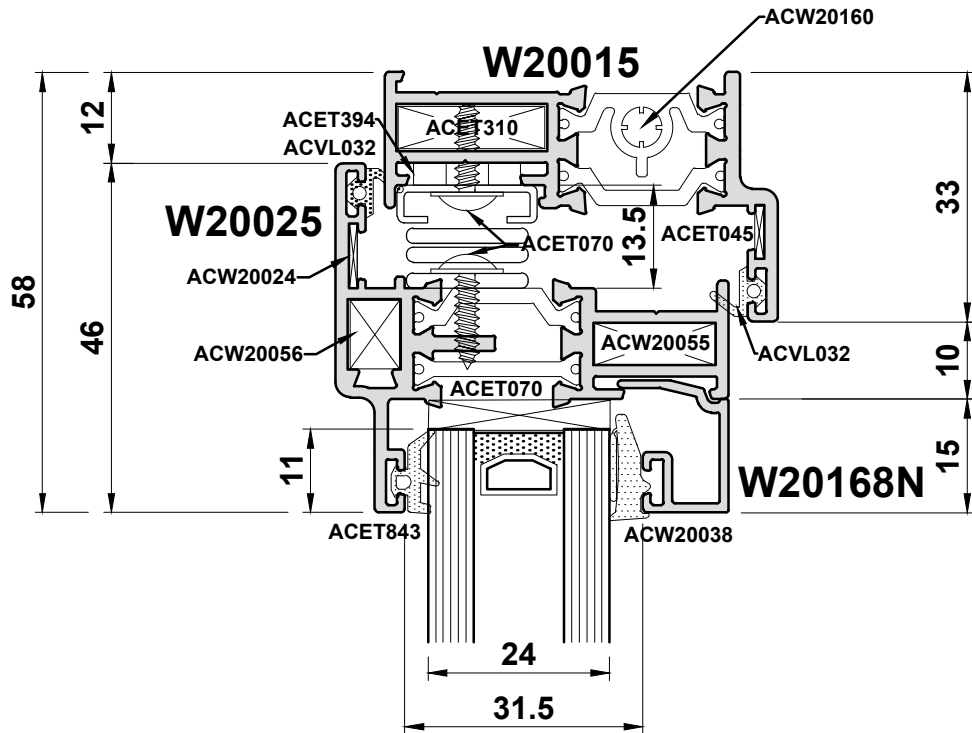
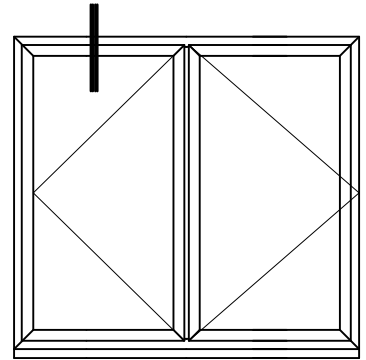
Do Not Scale From This Drawing

## Detail 2H



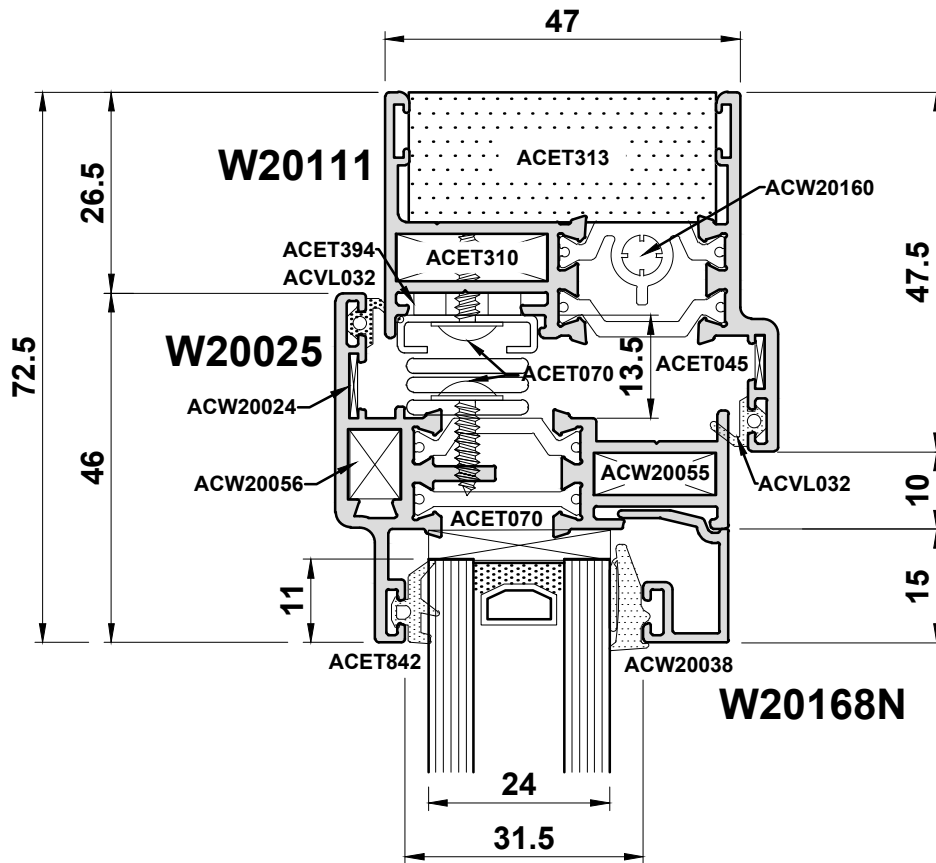
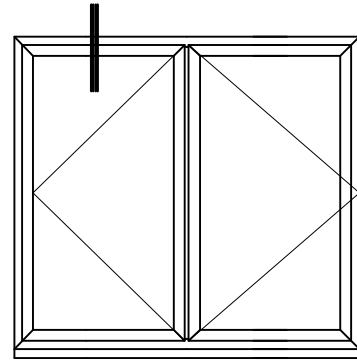
Do Not Scale From This Drawing

**Detail 3A**



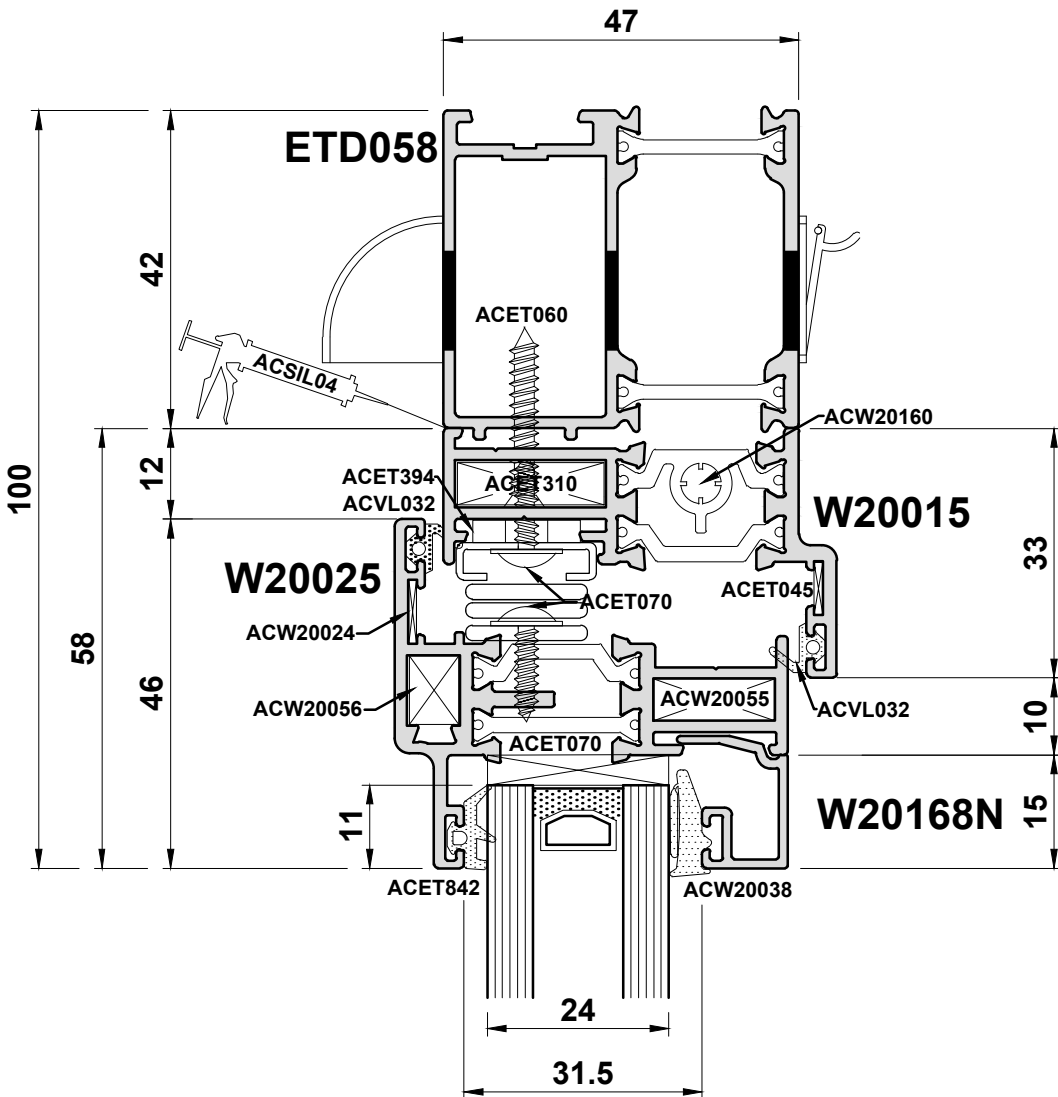
**Do Not Scale From This Drawing**

Detail 3B



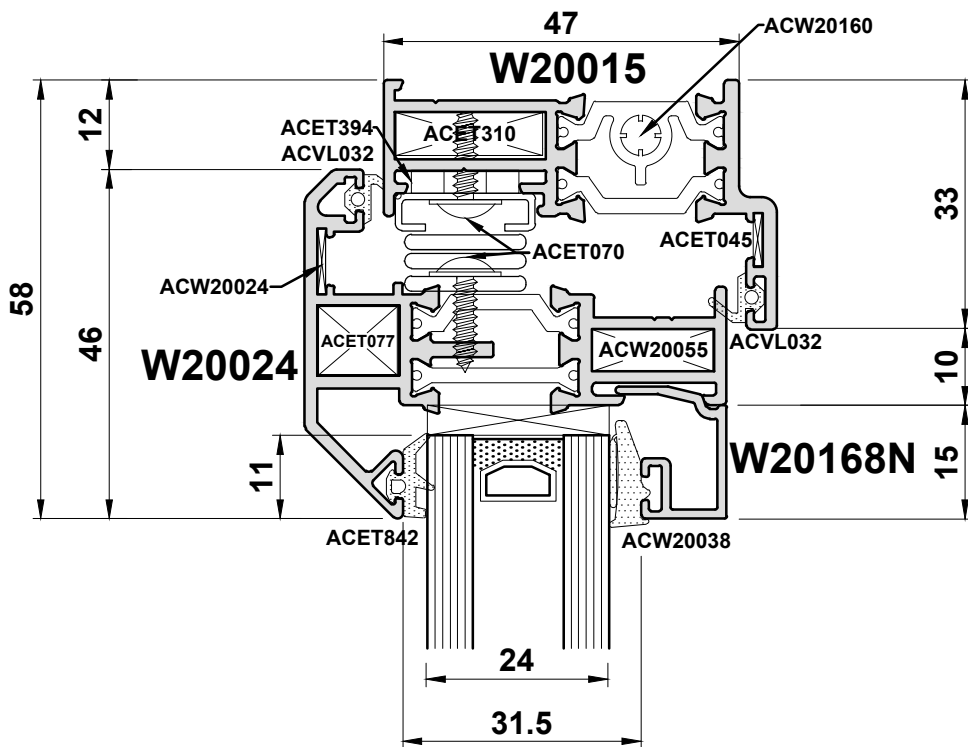
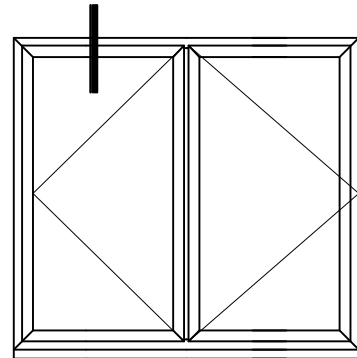
Do Not Scale From This Drawing

Detail 3C



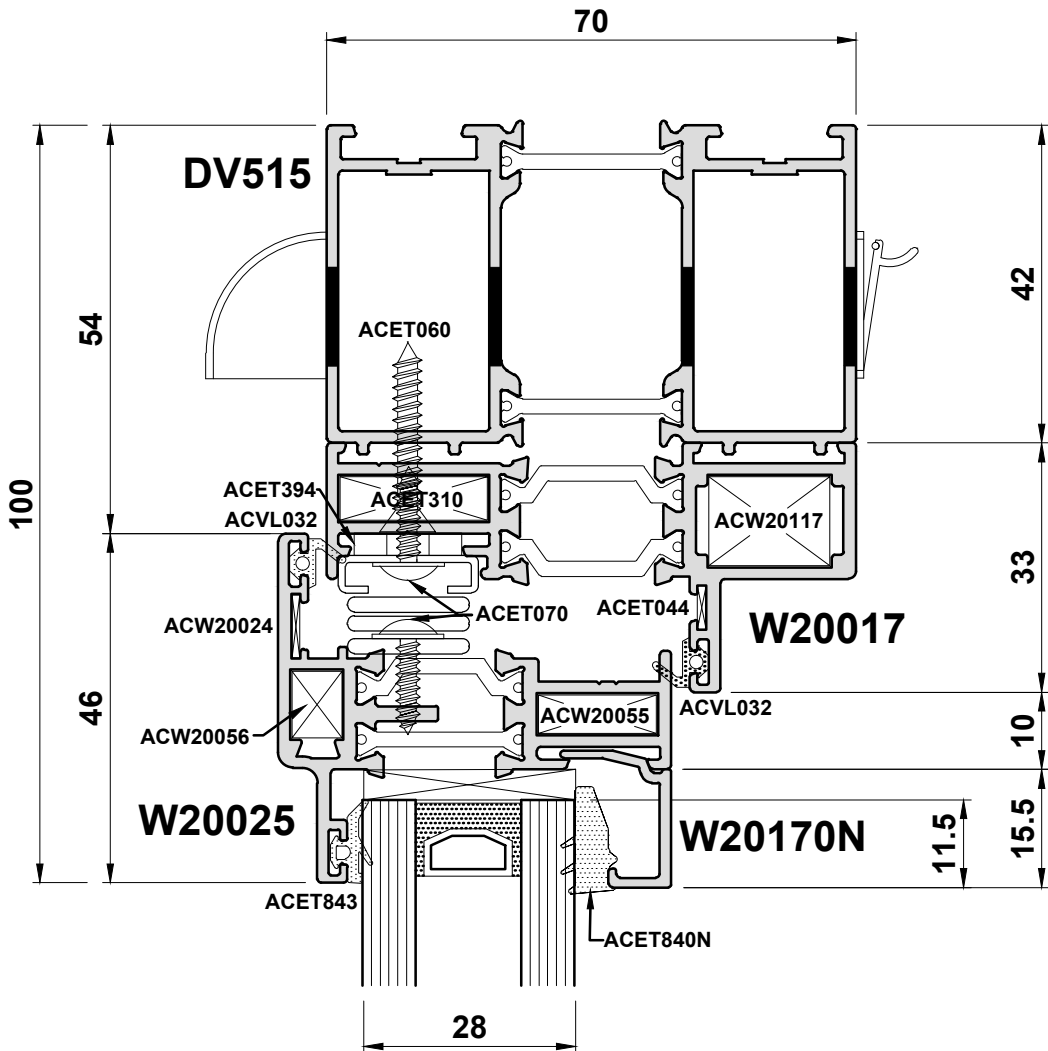
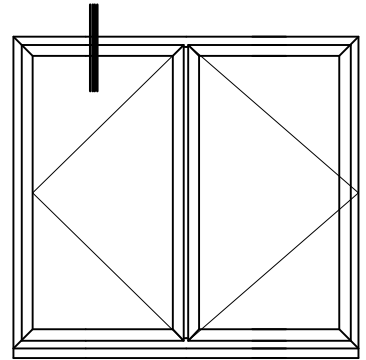
Do Not Scale From This Drawing

**Detail 3D**



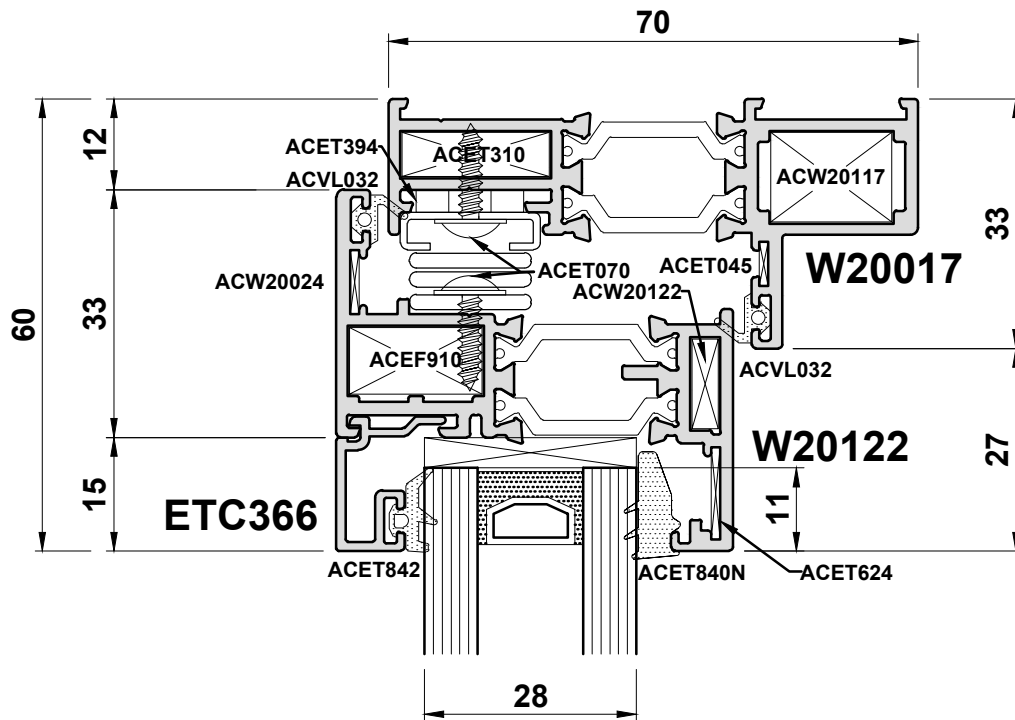
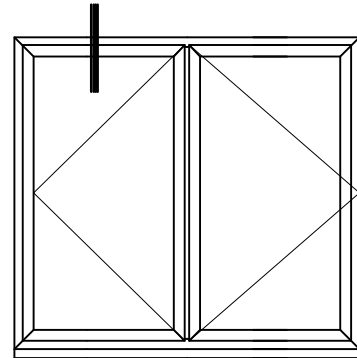
**Do Not Scale From This Drawing**

**Detail 3E**



**Do Not Scale From This Drawing**

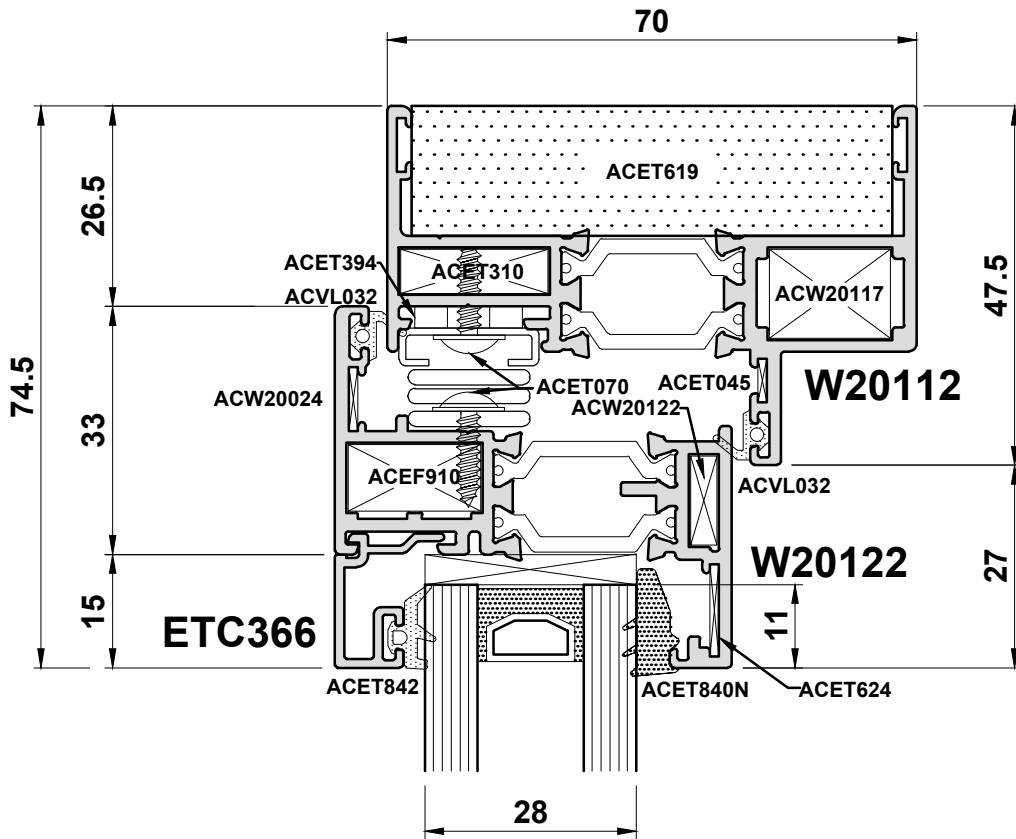
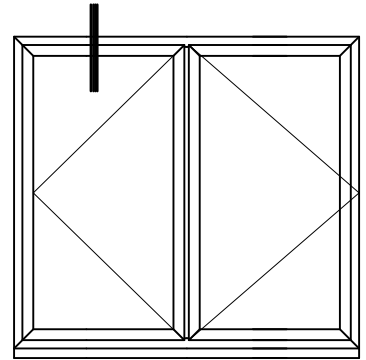
**Detail 3F**



**Do Not Scale From This Drawing**

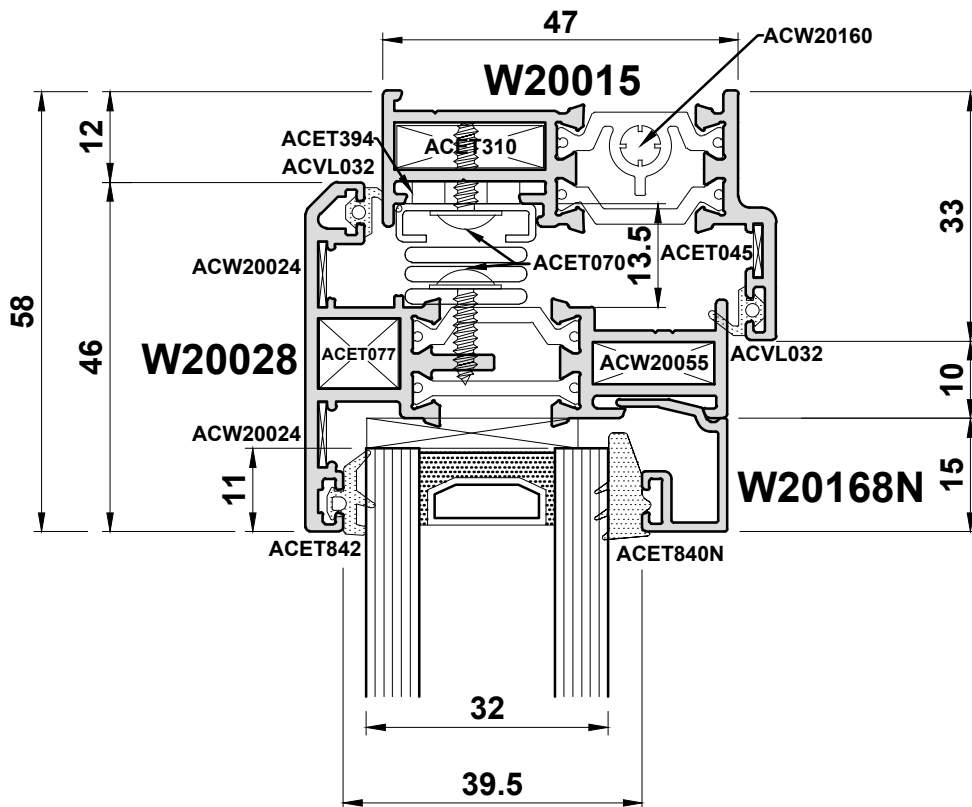
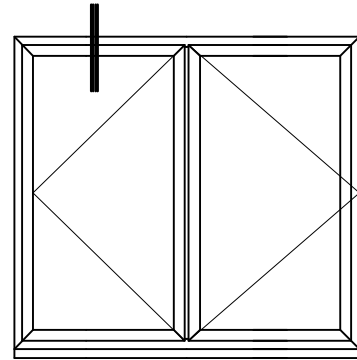


**Detail 3G**



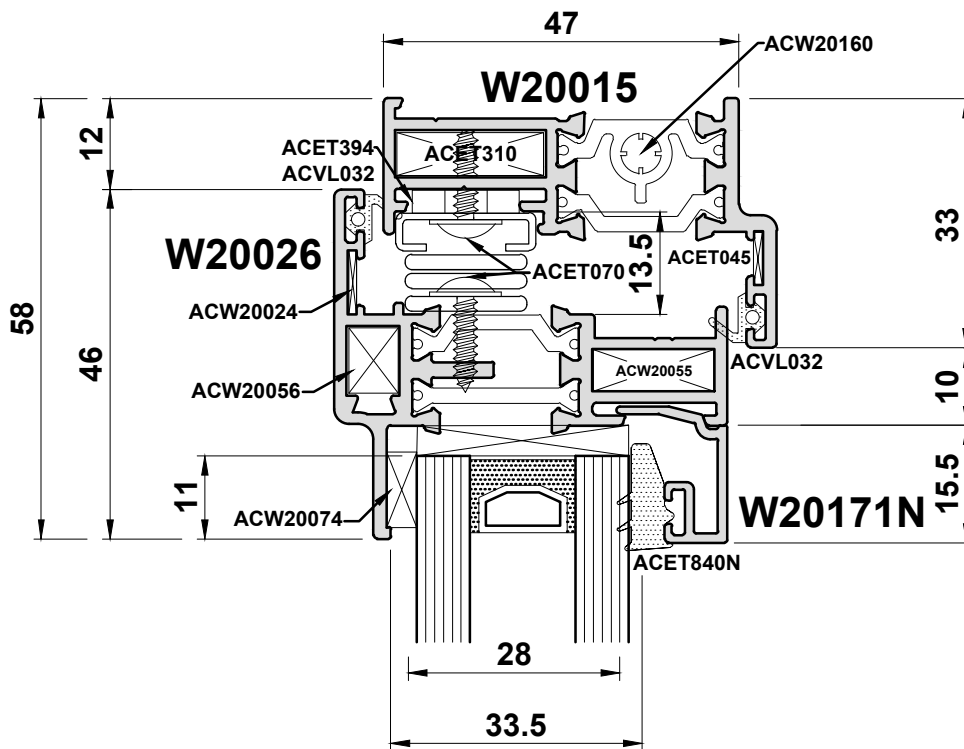
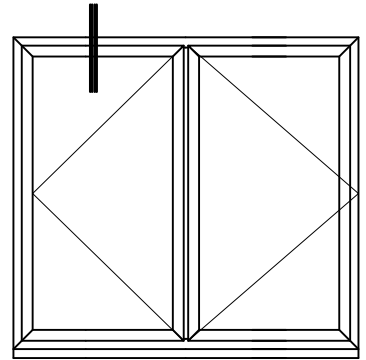
**Do Not Scale From This Drawing**

**Detail 3H**



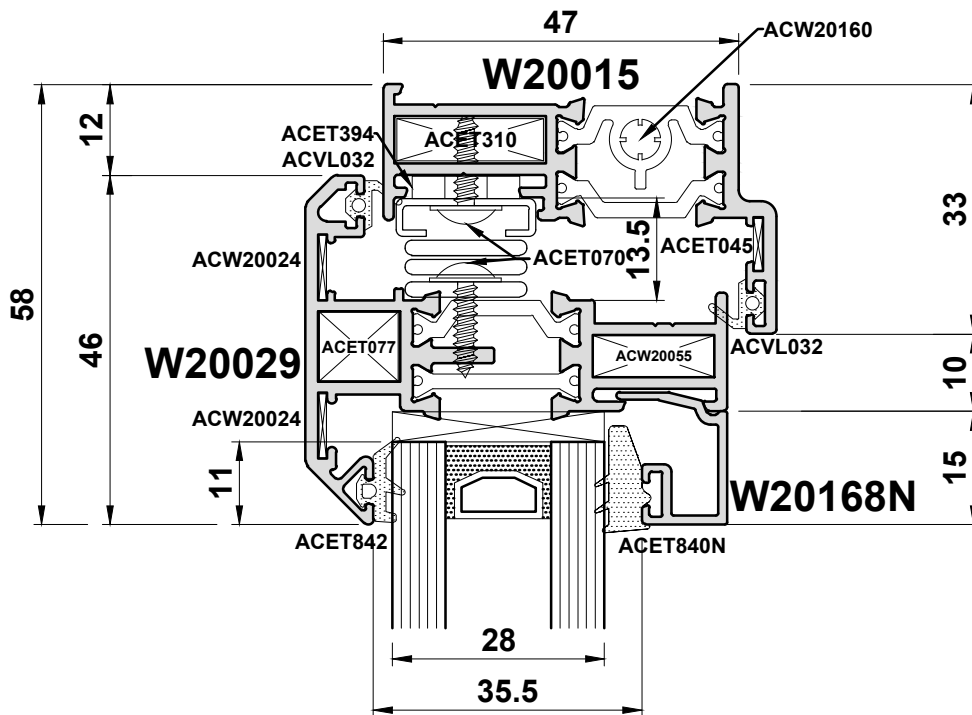
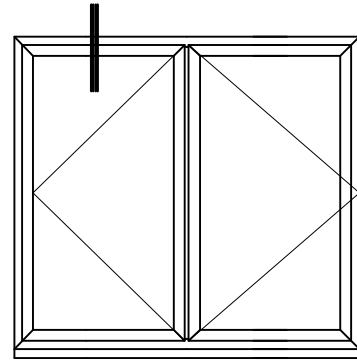
**Do Not Scale From This Drawing**

**Detail 3I**



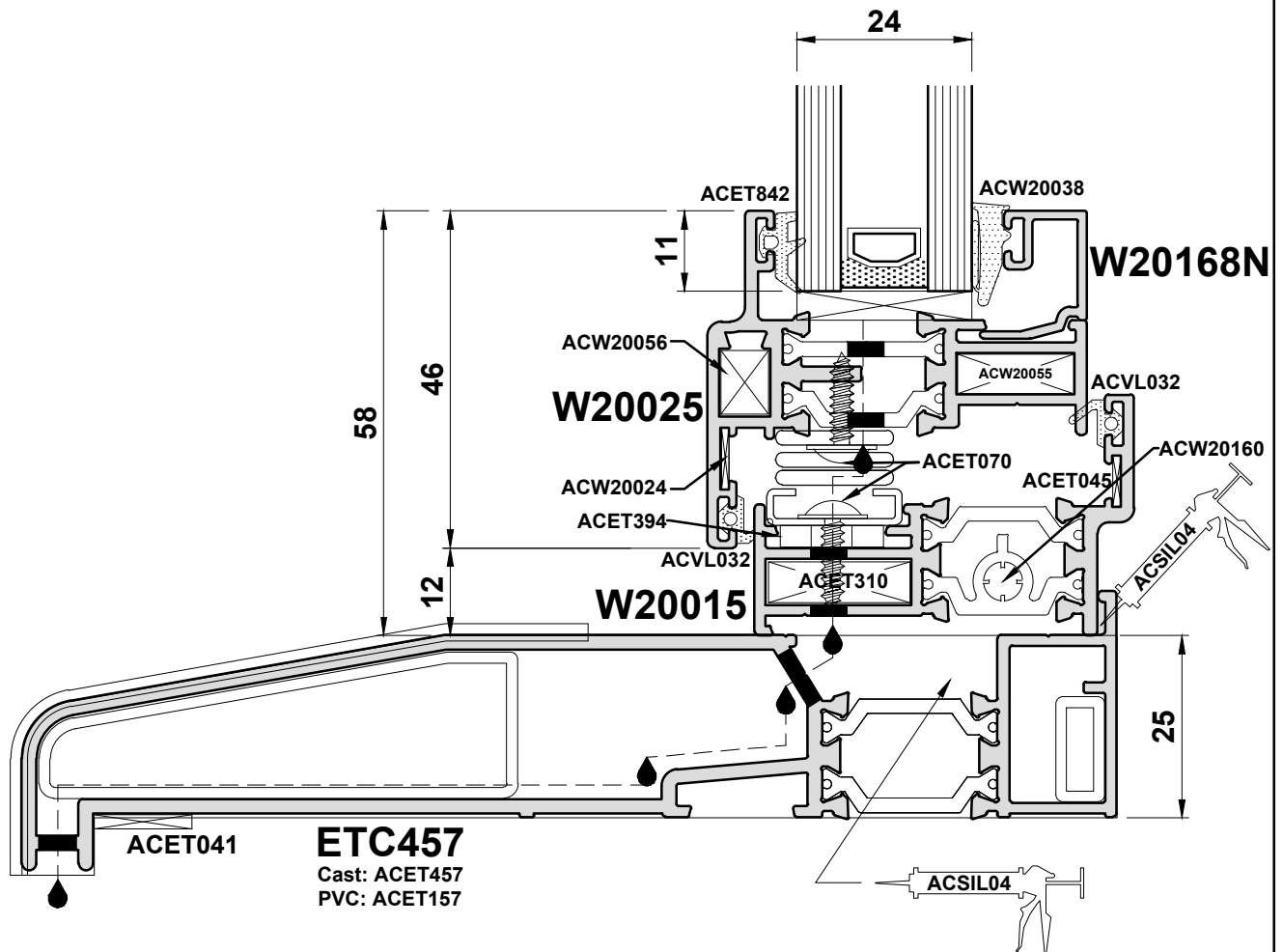
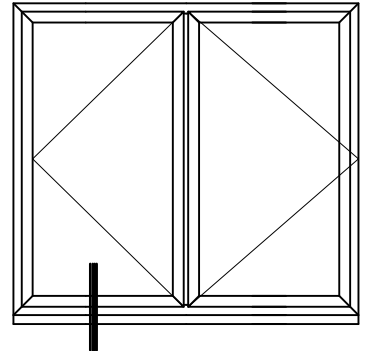
**Do Not Scale From This Drawing**

**Detail 3J**



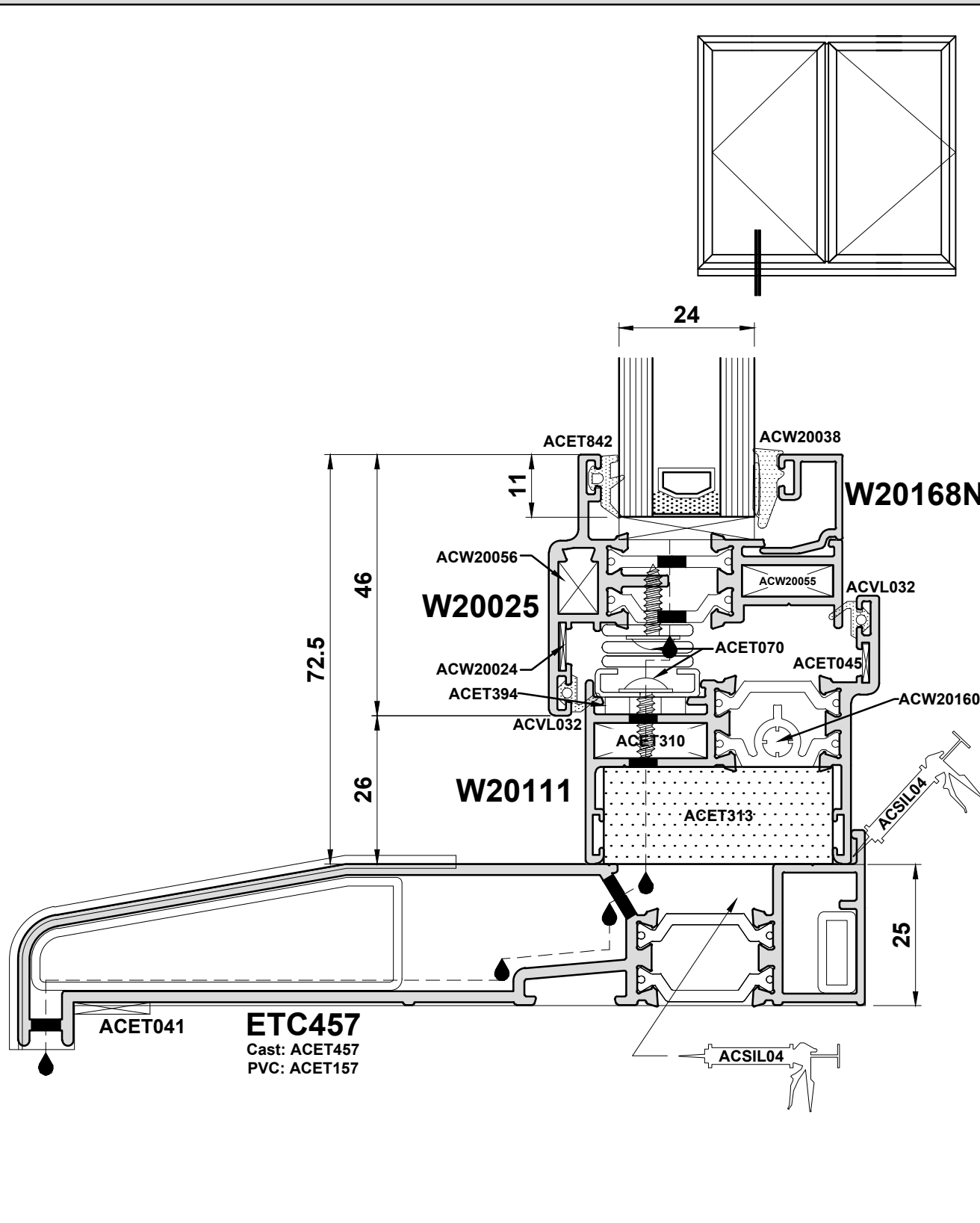
**Do Not Scale From This Drawing**

**Detail 4A**



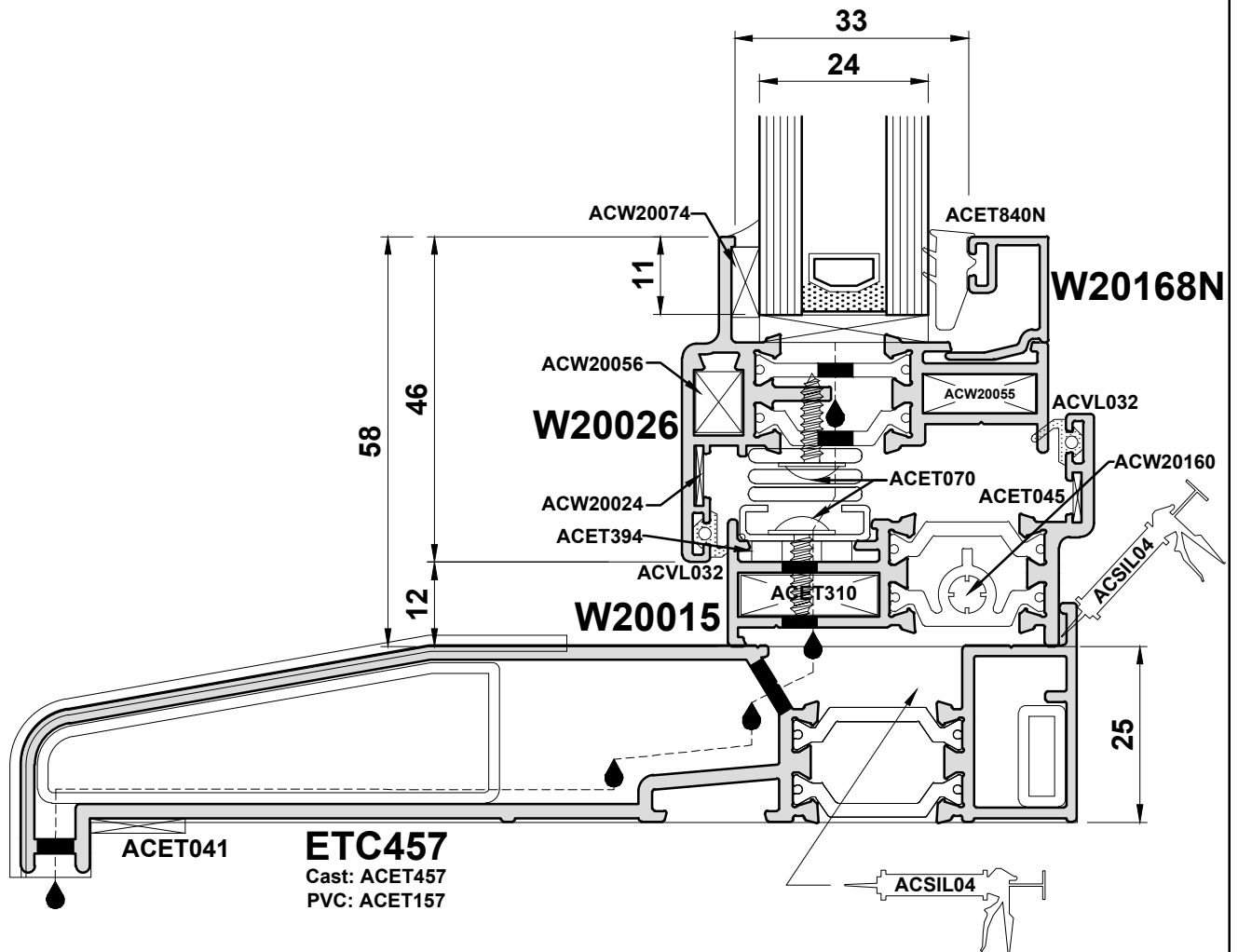
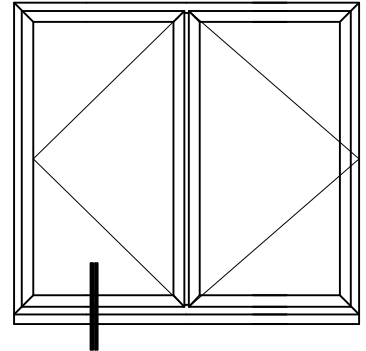
**Do Not Scale From This Drawing**

Detail 4B



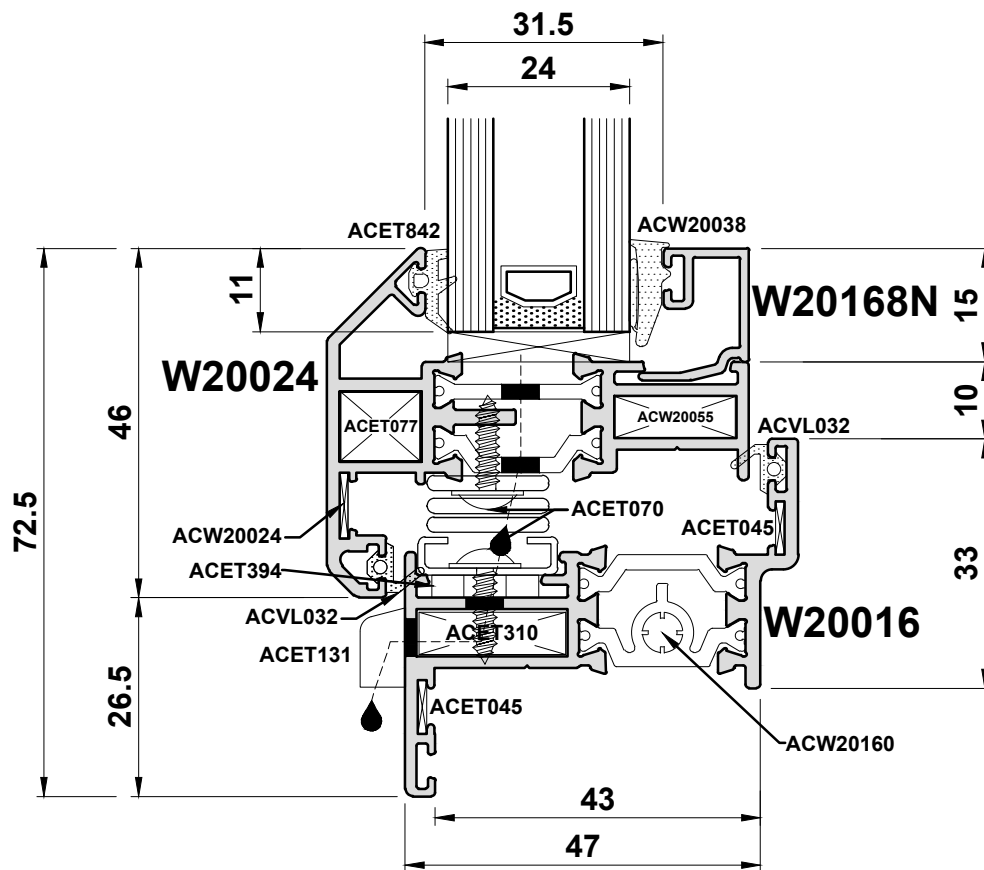
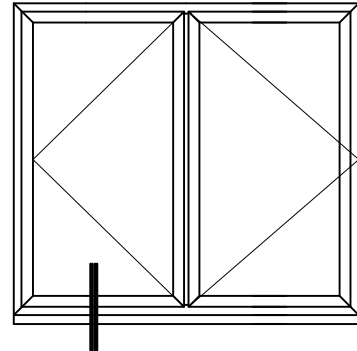
Do Not Scale From This Drawing

**Detail 4C**



**Do Not Scale From This Drawing**

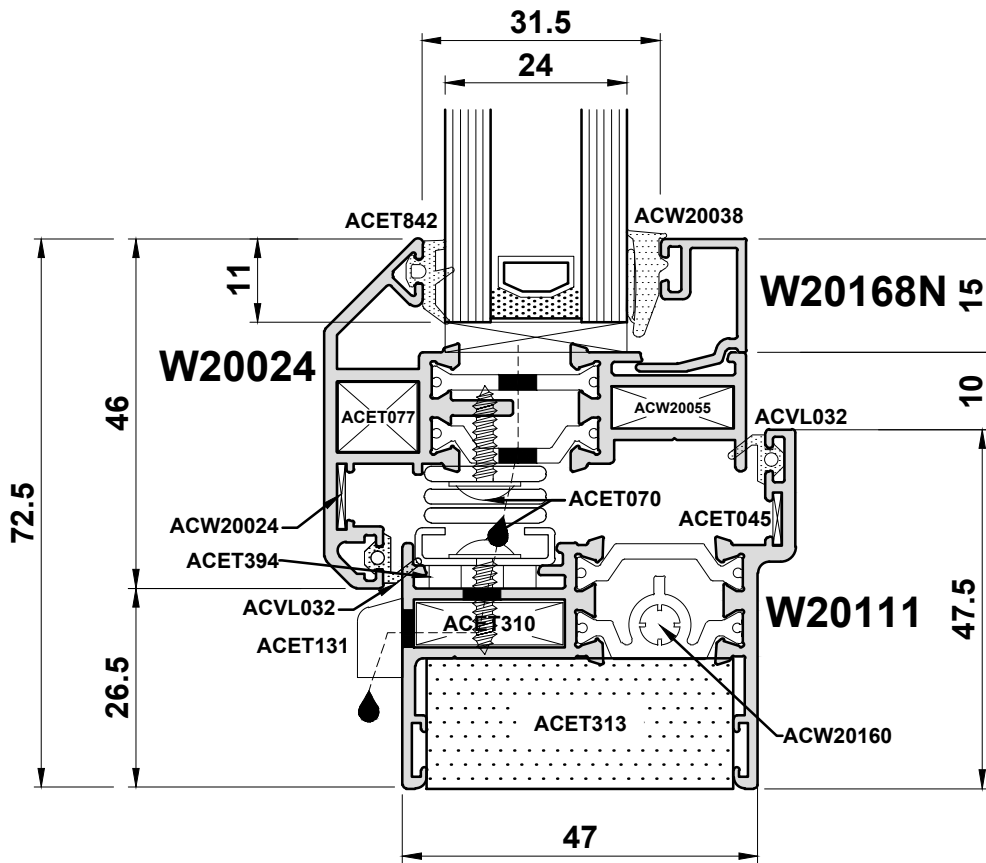
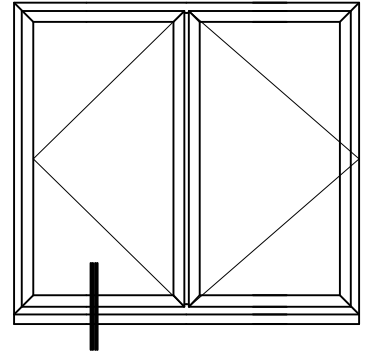
**Detail 4D**



**Do Not Scale From This Drawing**

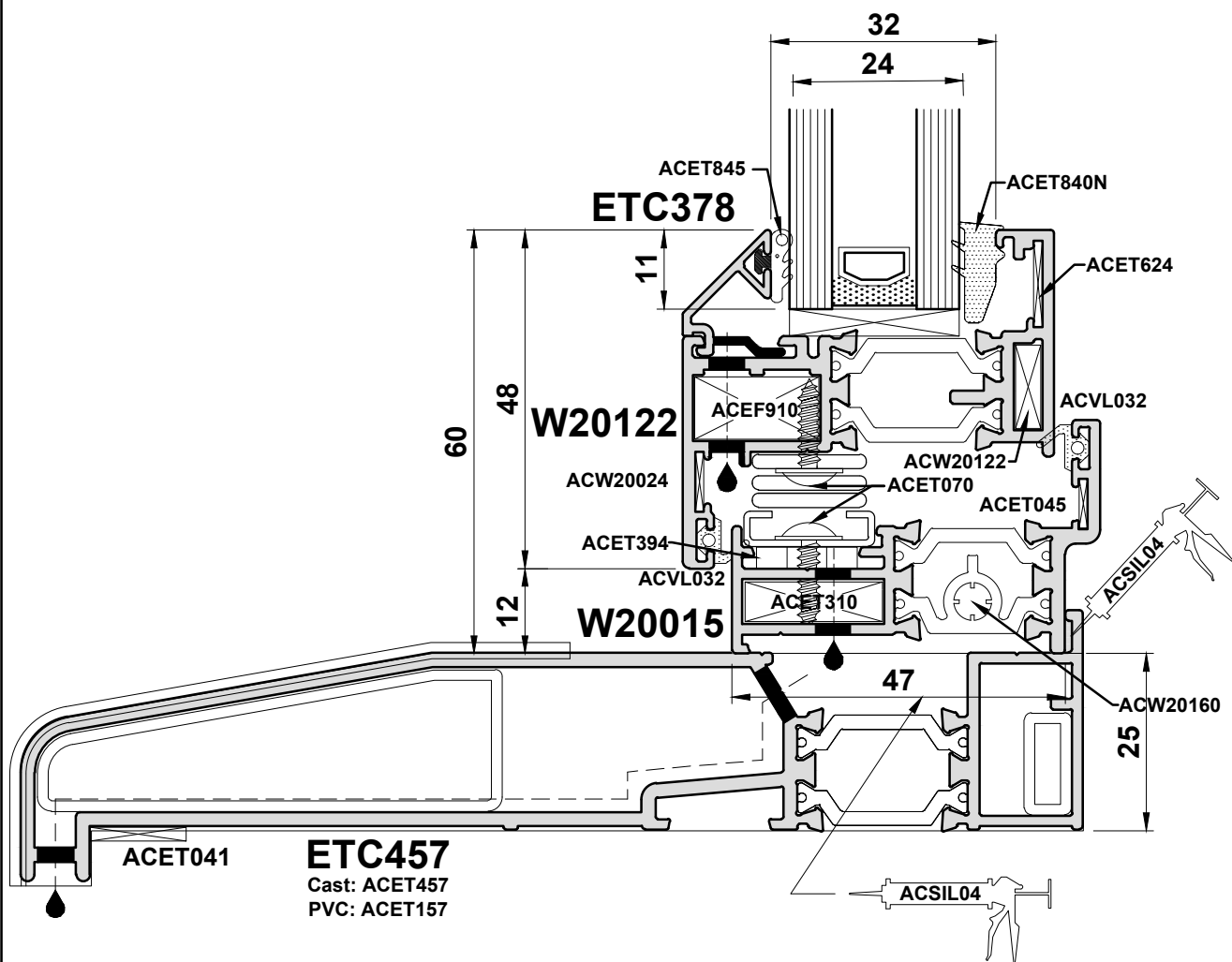
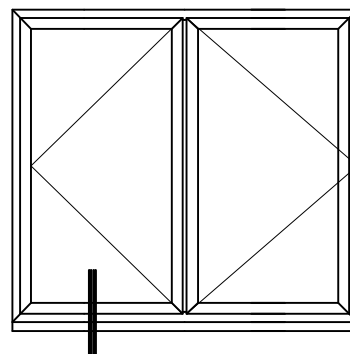


**Detail 4E**



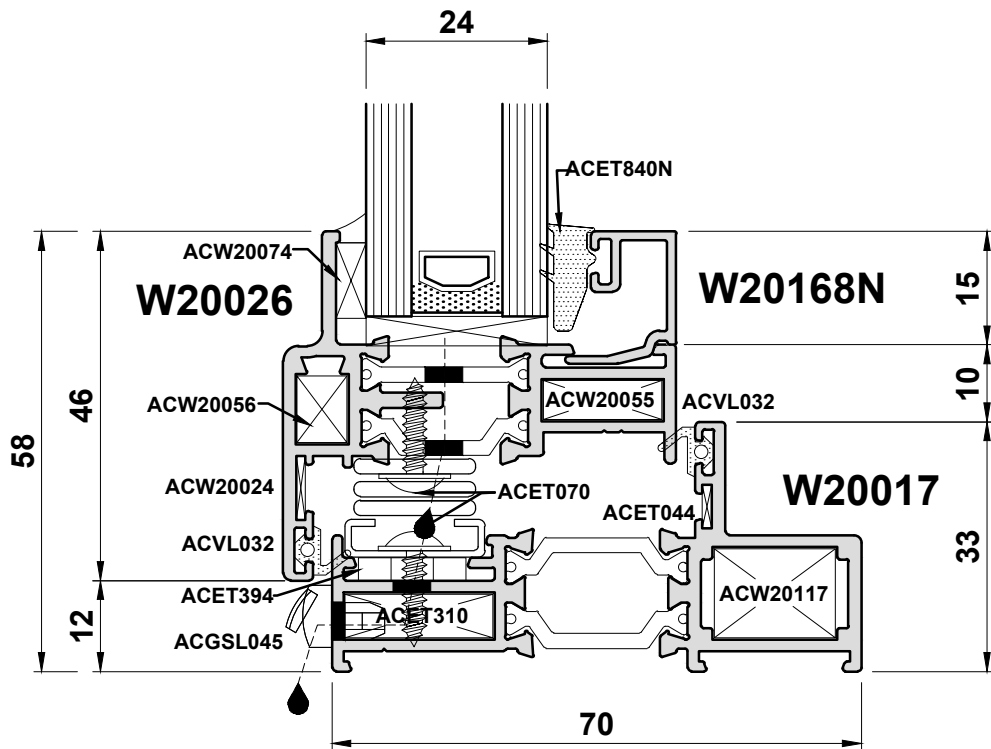
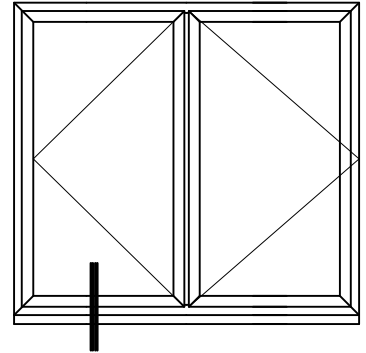
**Do Not Scale From This Drawing**

**Detail 4F**



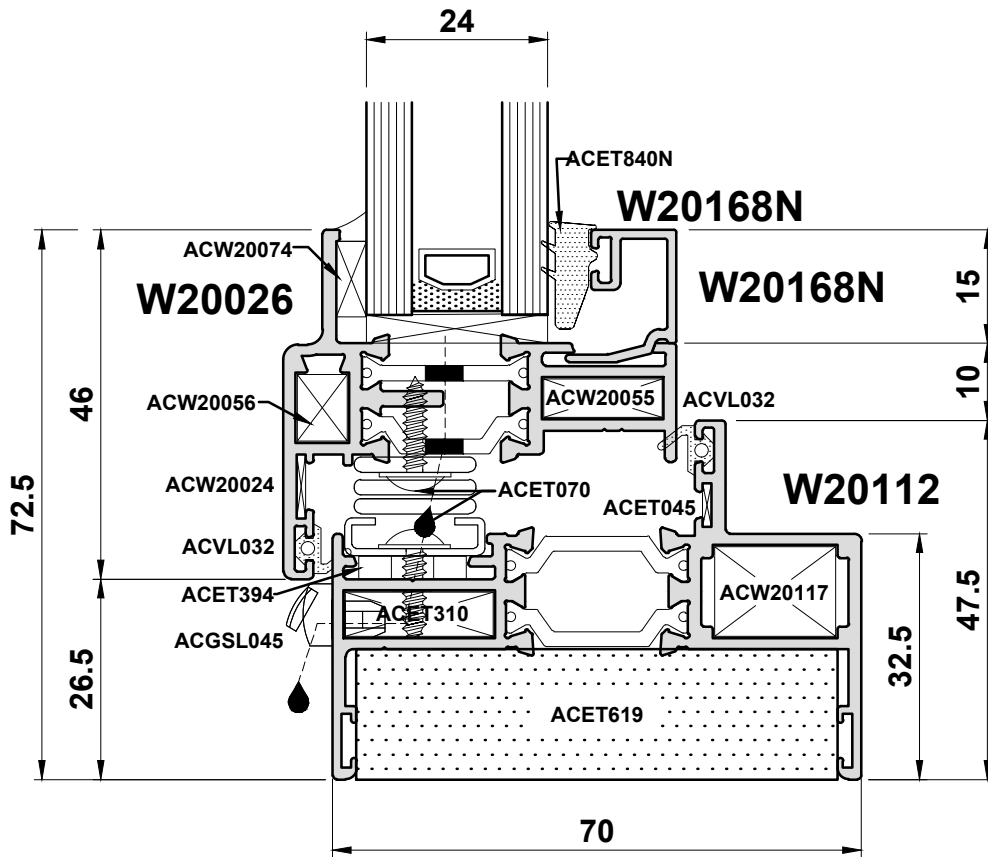
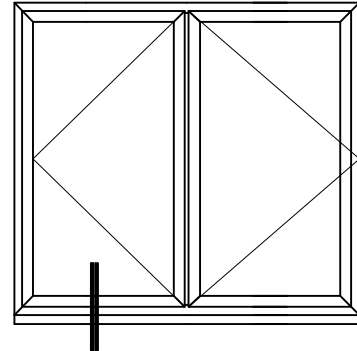
**Do Not Scale From This Drawing**

**Detail 4G**



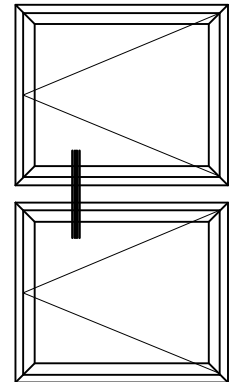
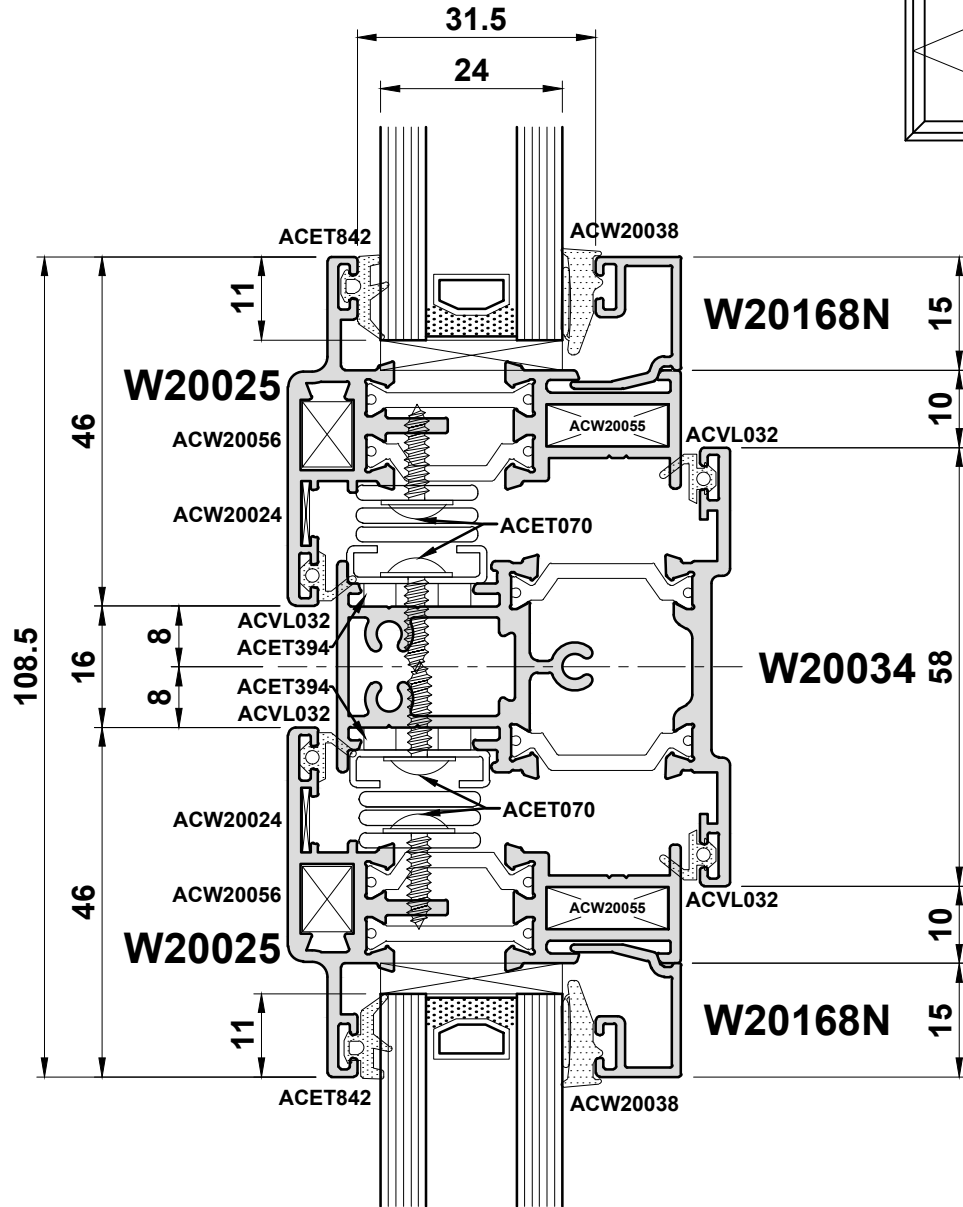
**Do Not Scale From This Drawing**

**Detail 4H**



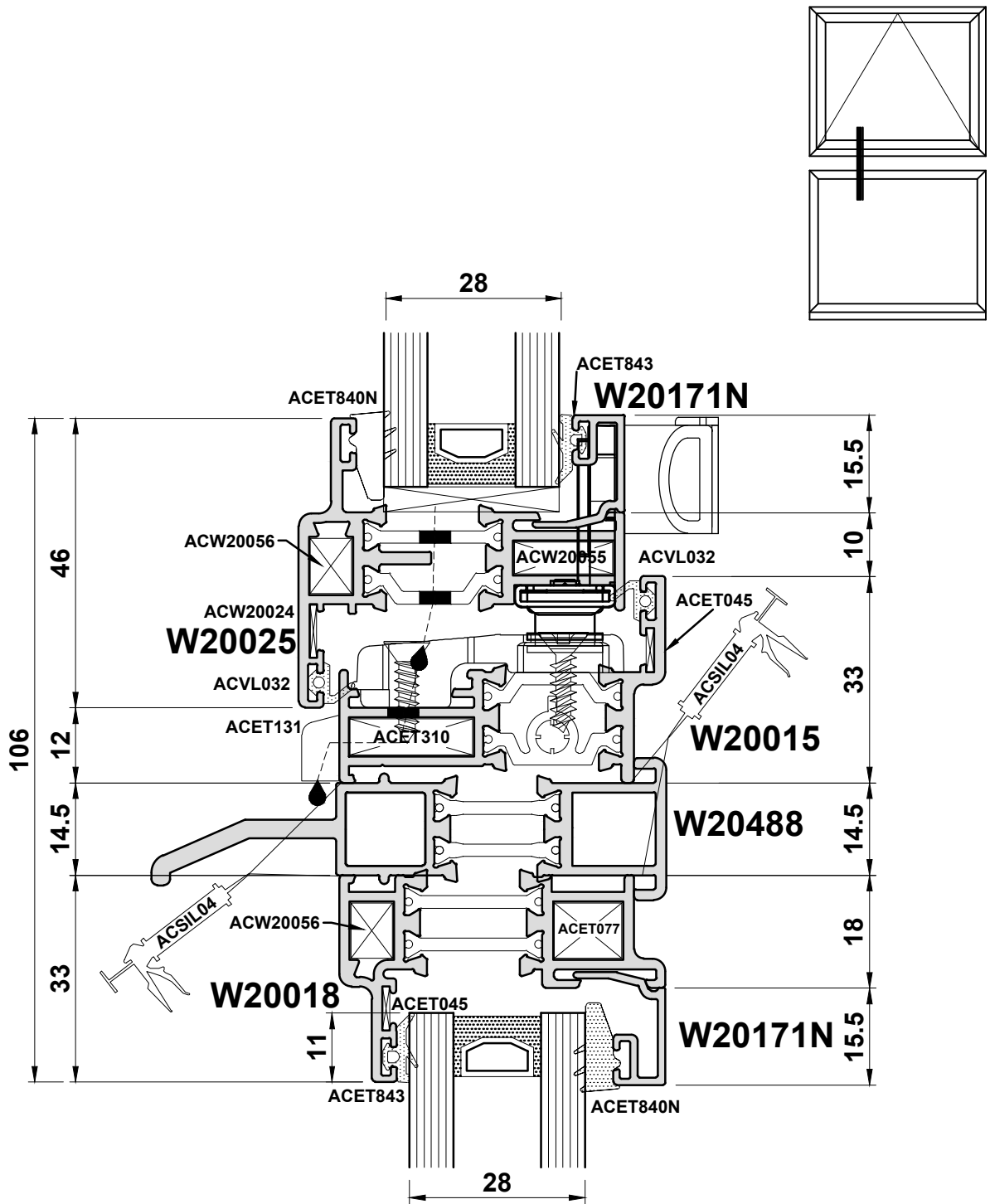
**Do Not Scale From This Drawing**

**Detail 5**



**Do Not Scale From This Drawing**

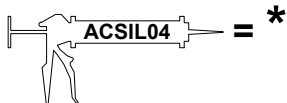
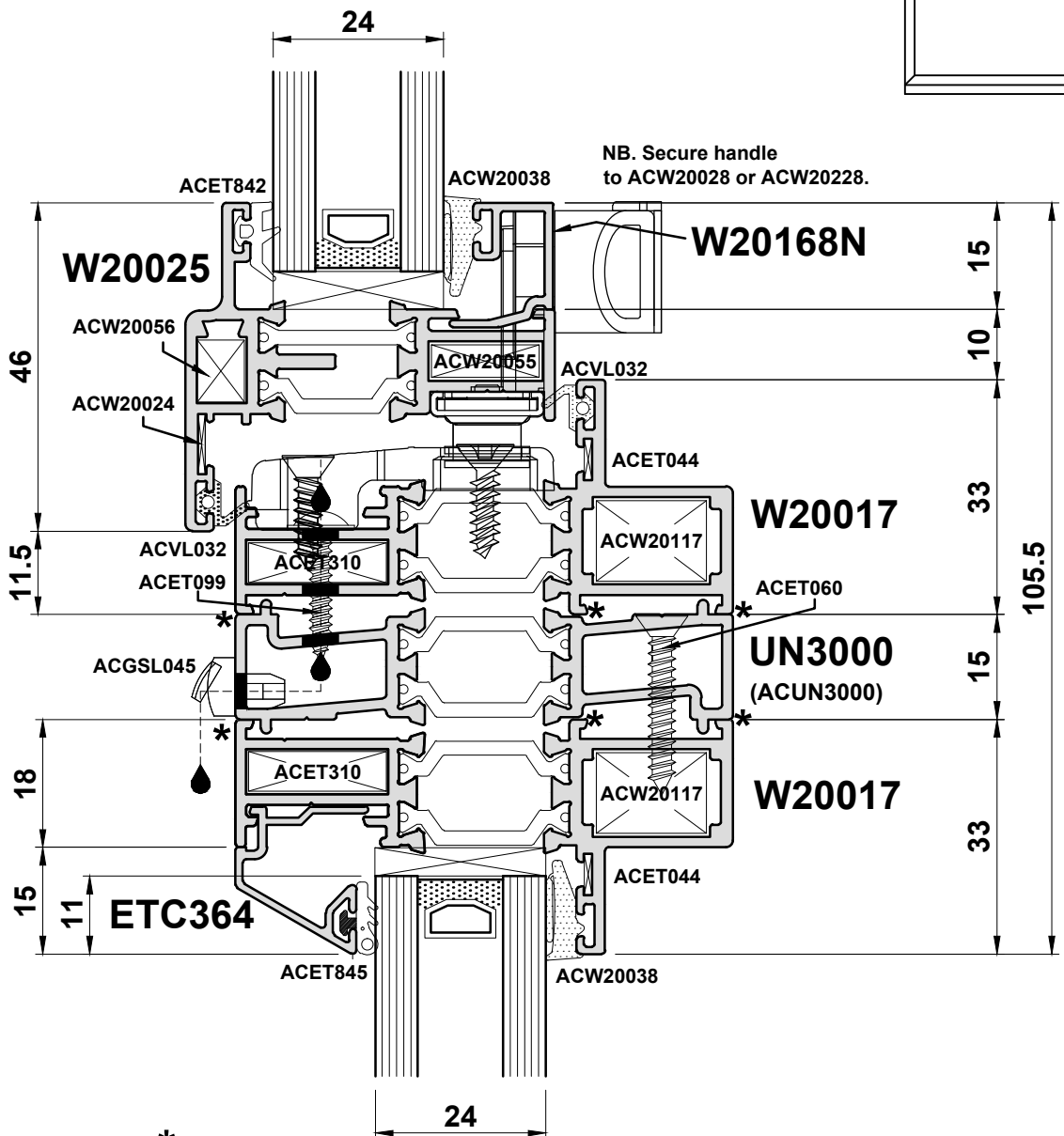
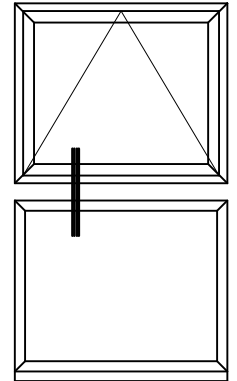
**Detail 6A**



Coupler fixing not shown for clarity

Do Not Scale From This Drawing

**Detail 6B**



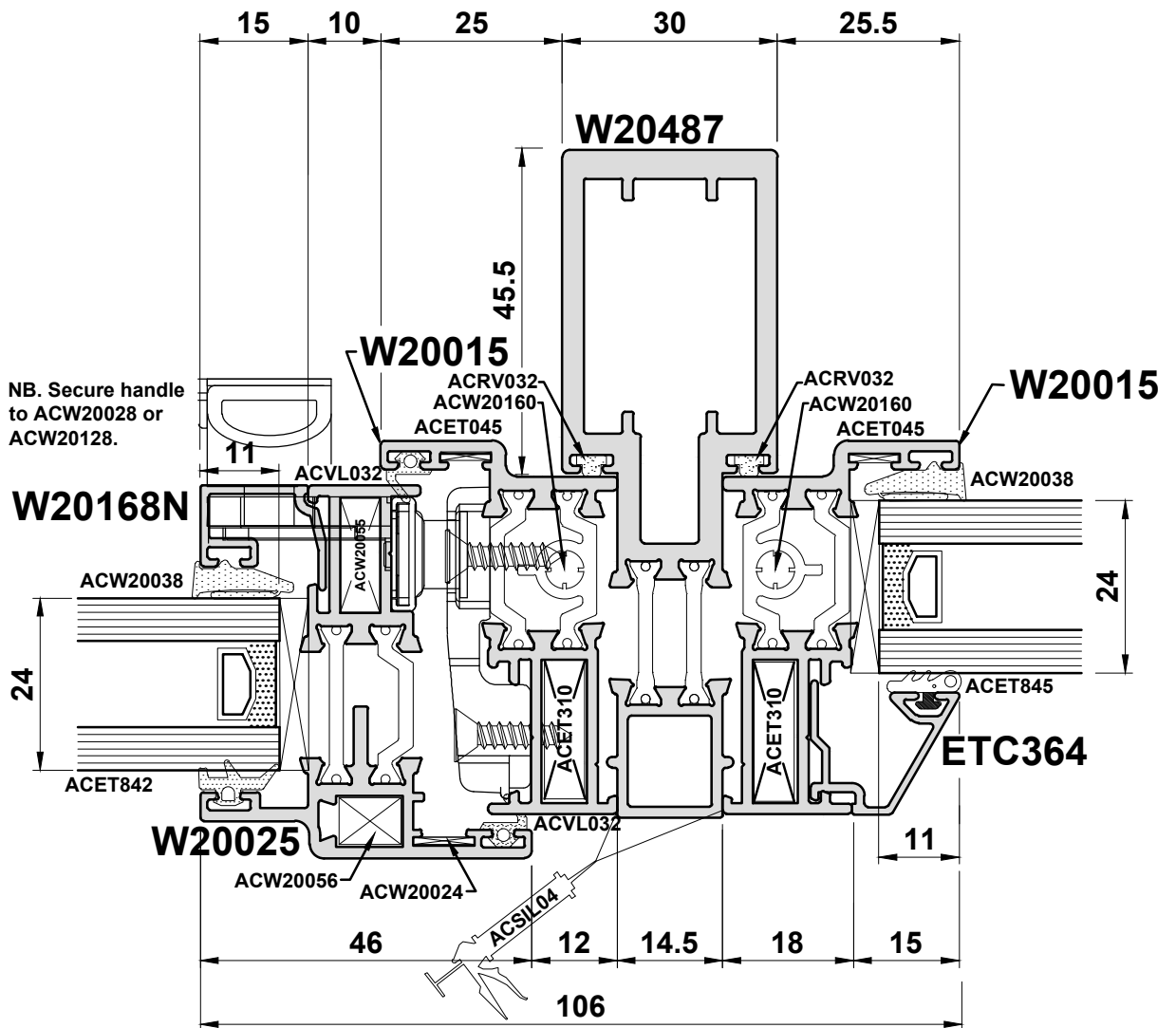
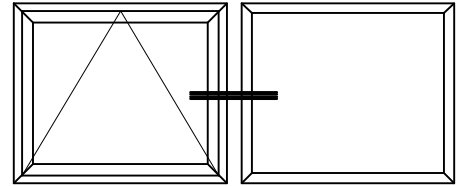
Coupler fixing not shown for clarity

**Do Not Scale From This Drawing**





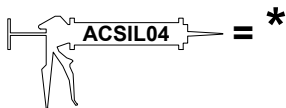
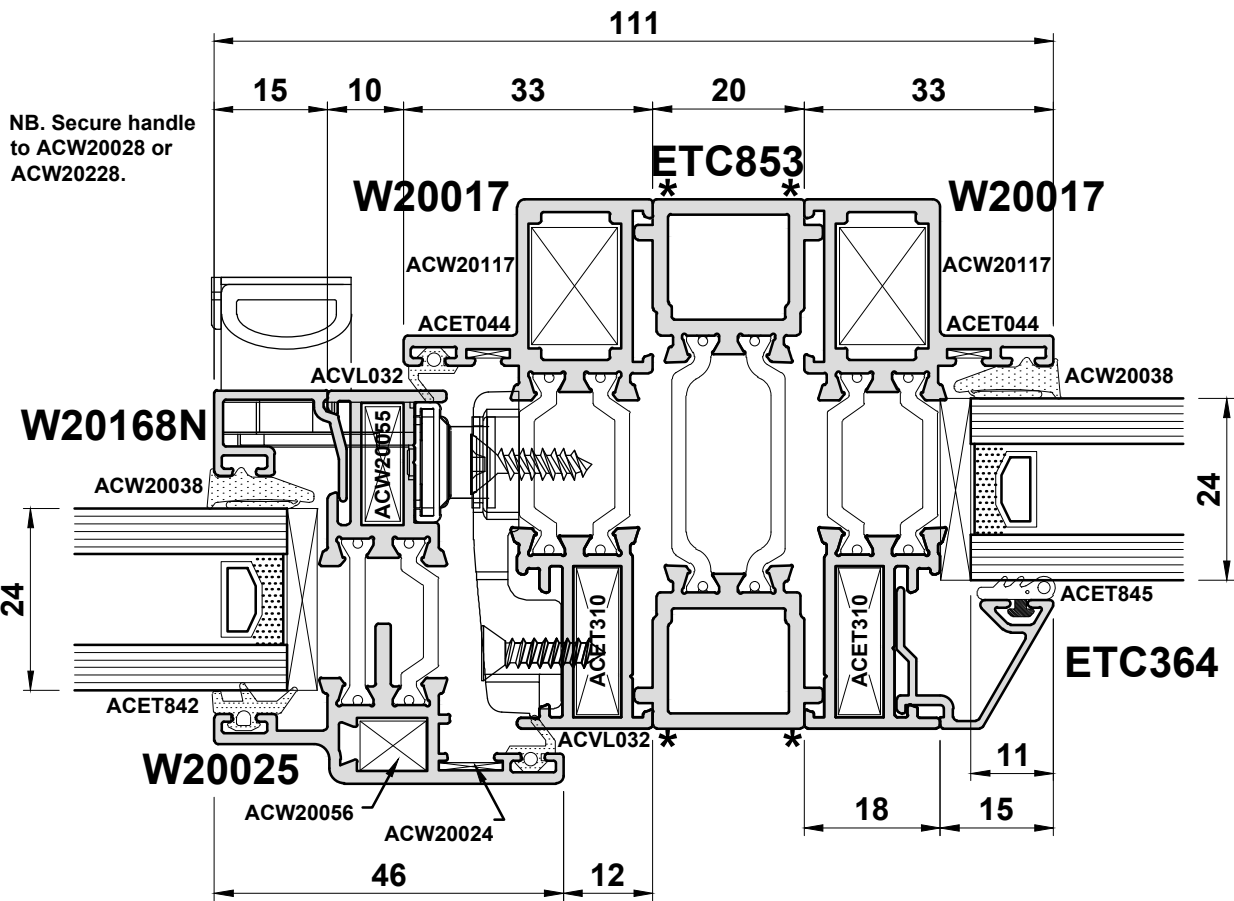
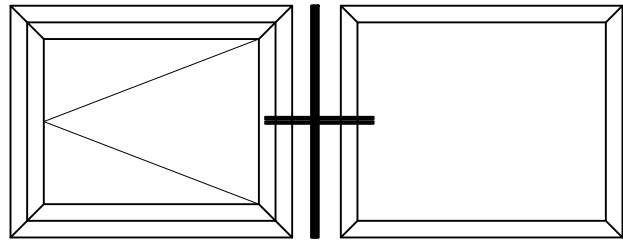
**Detail 8A**



Coupler fixing not shown for clarity

Do Not Scale From This Drawing

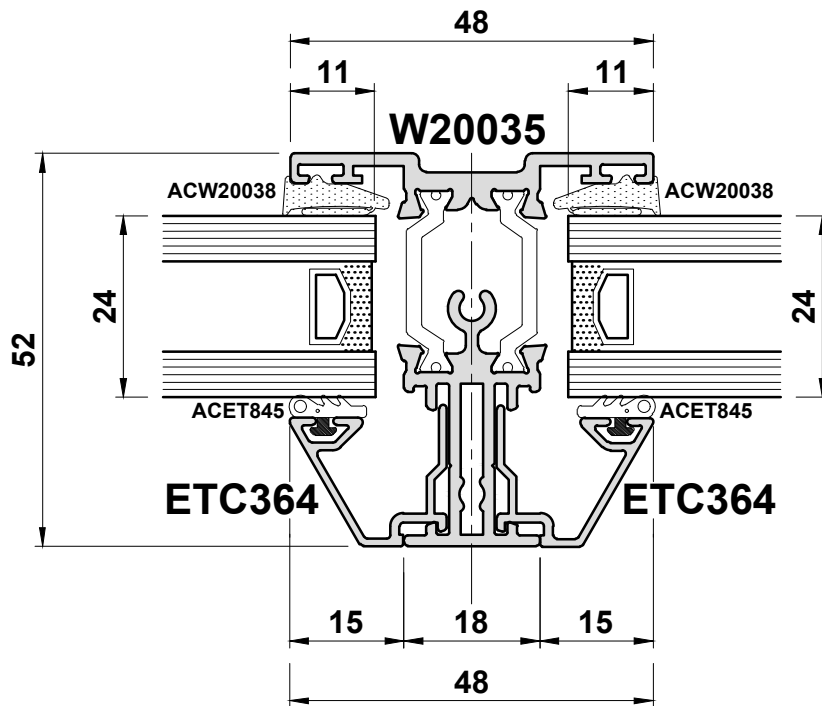
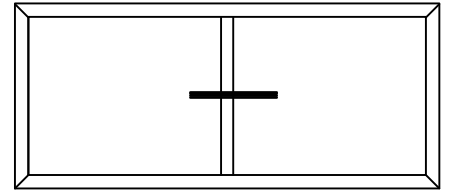
Detail 8B



Coupler fixing not shown for clarity

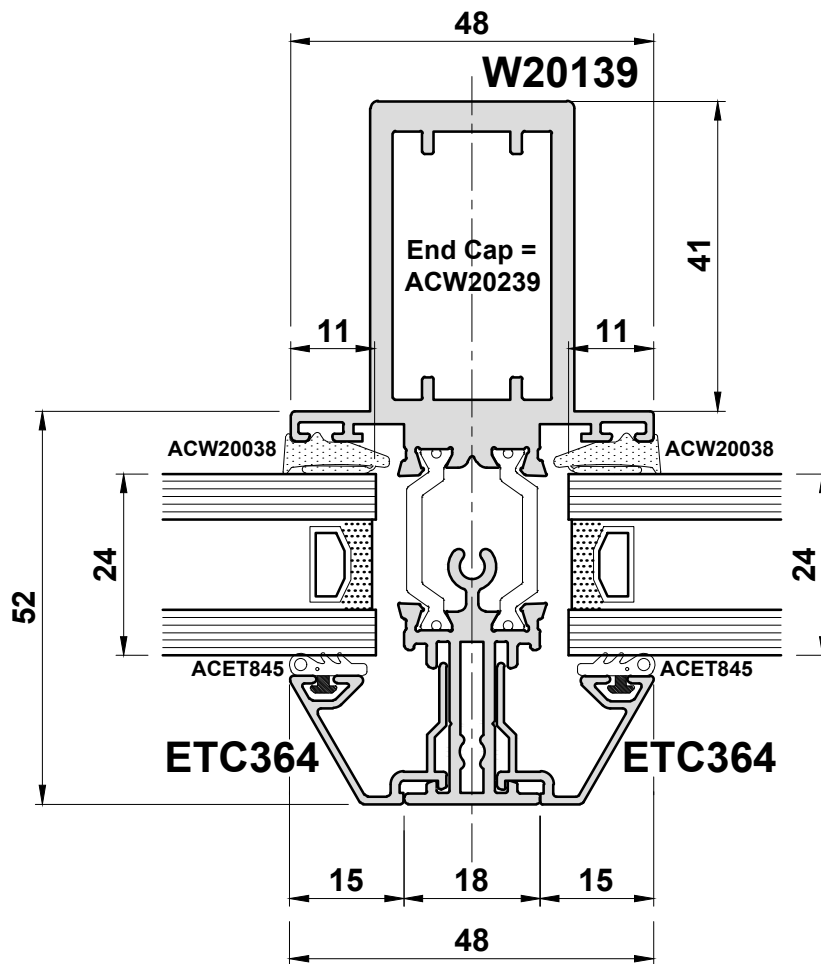
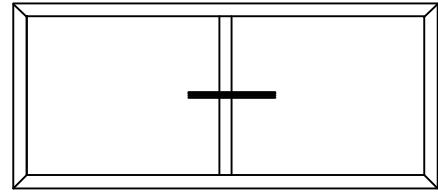
Do Not Scale From This Drawing

## Detail 9A



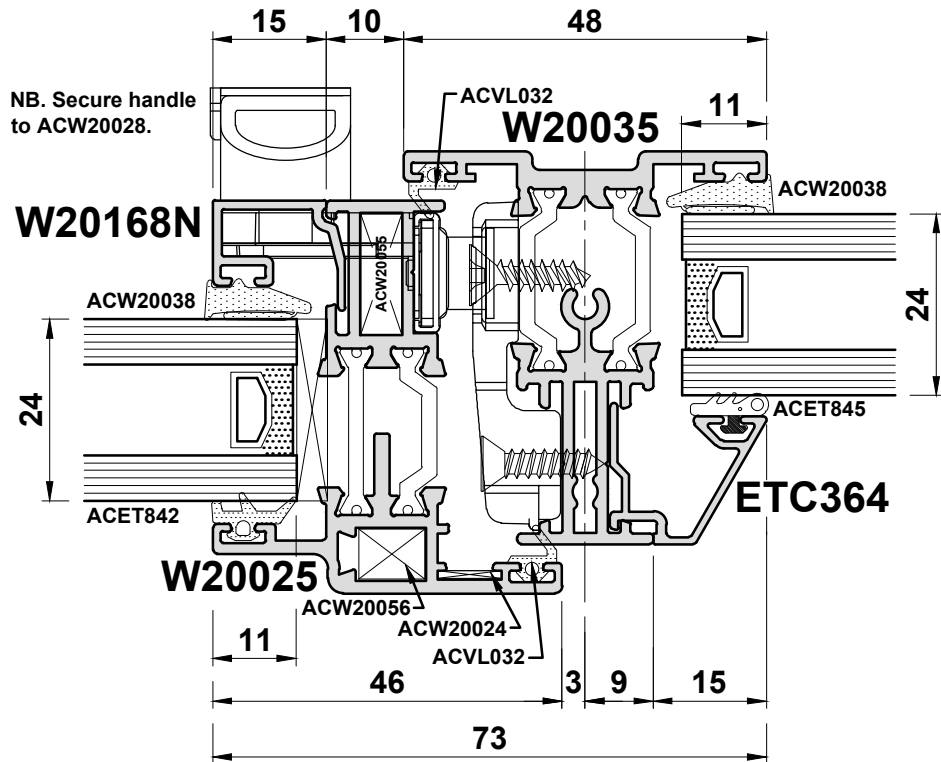
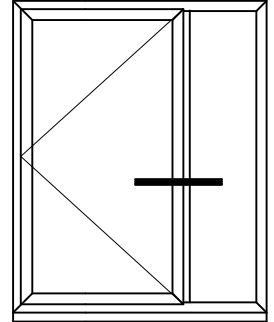
Do Not Scale From This Drawing

## Detail 9B



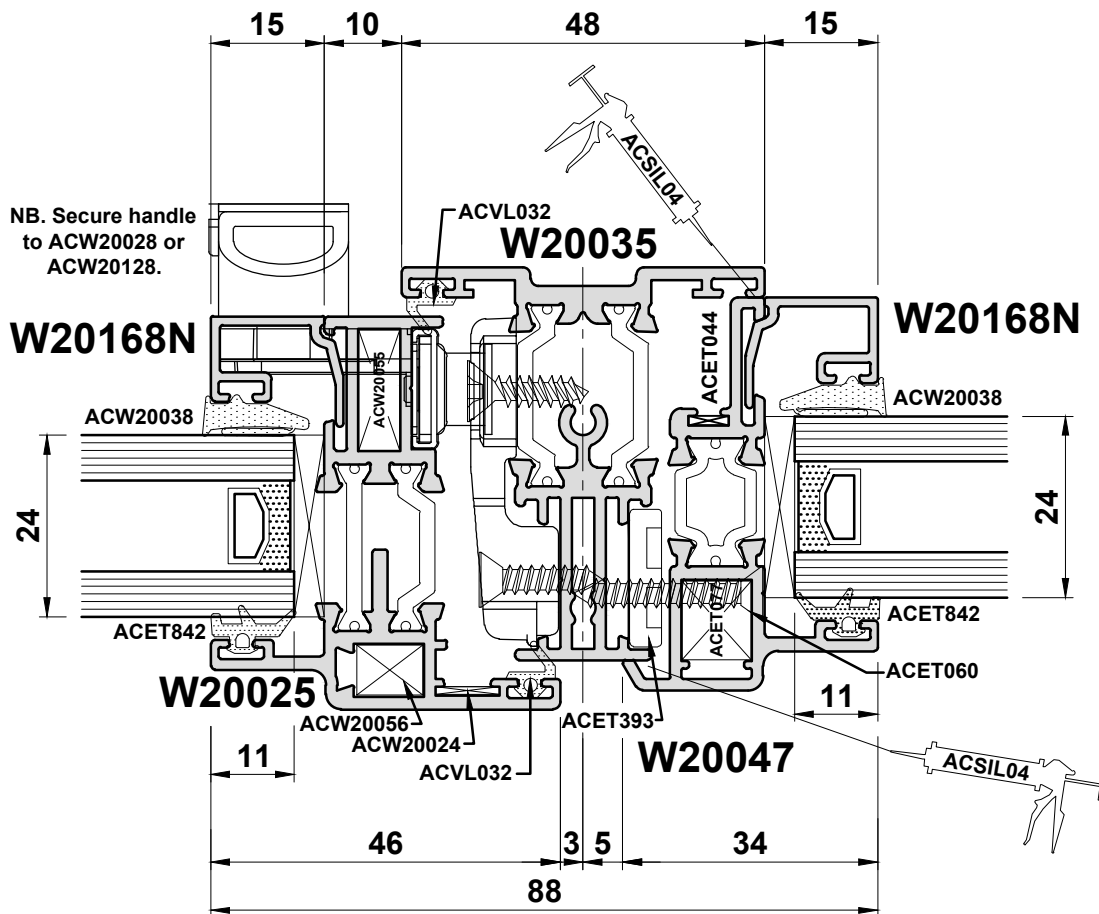
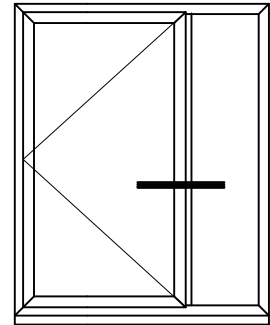
Do Not Scale From This Drawing

**Detail 10A**



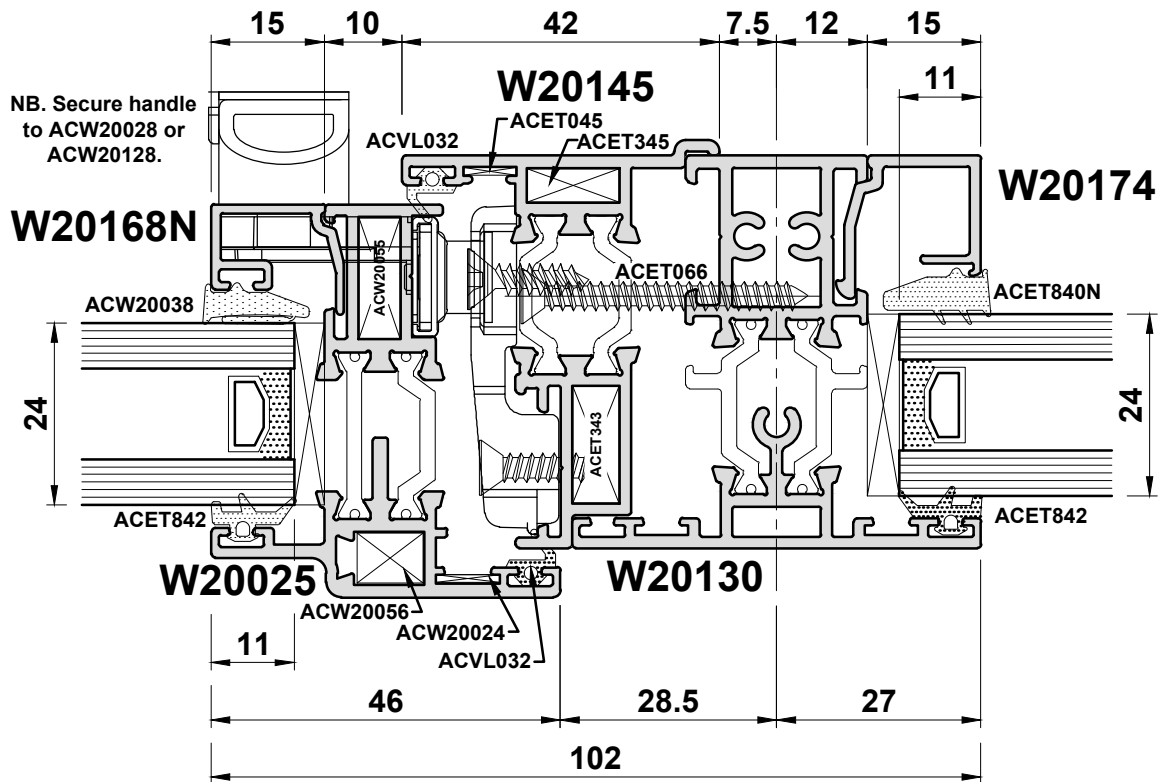
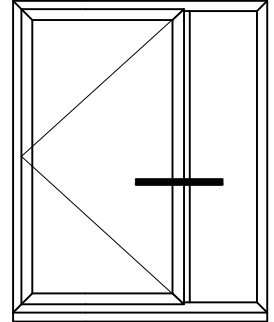
**Do Not Scale From This Drawing**

**Detail 10B**



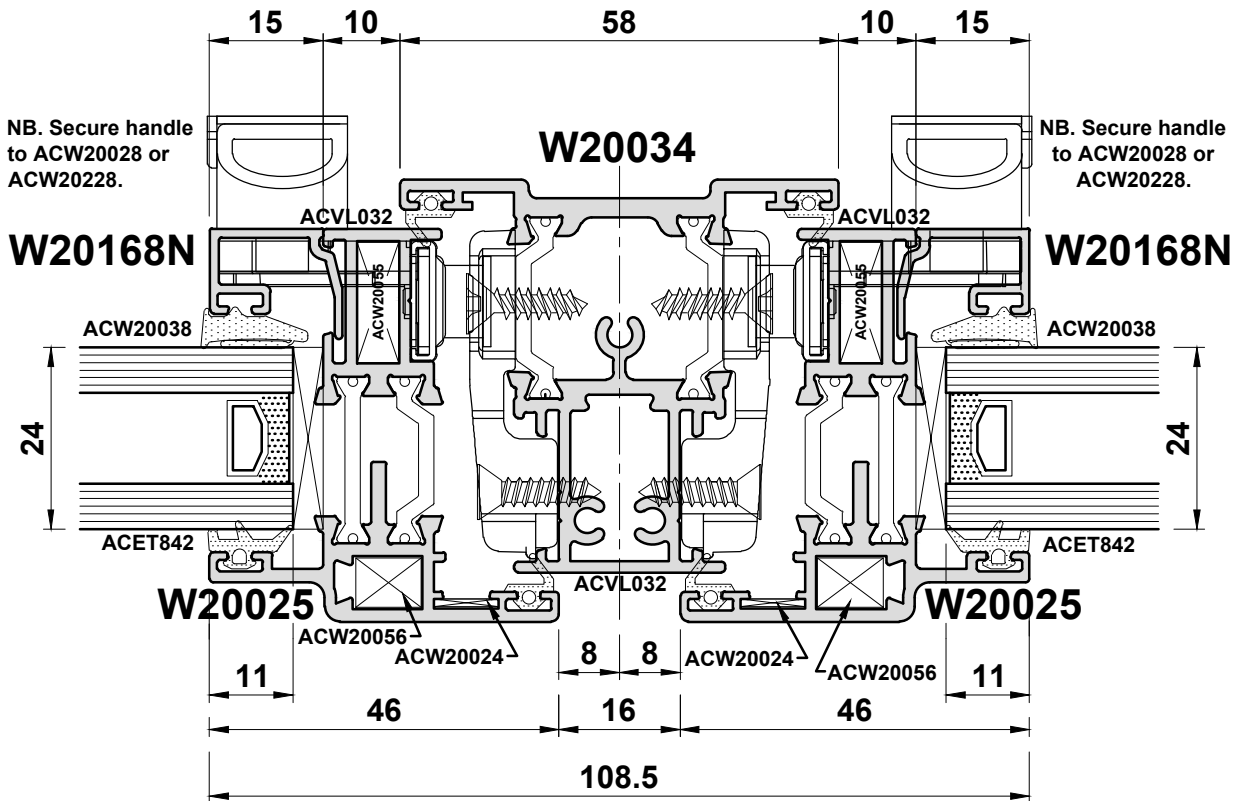
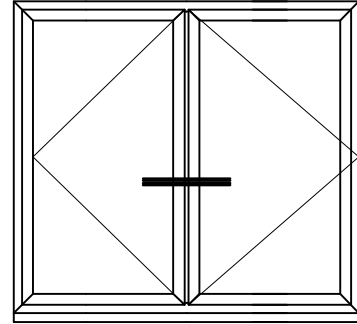
**Do Not Scale From This Drawing**

**Detail 10C**



**Do Not Scale From This Drawing**

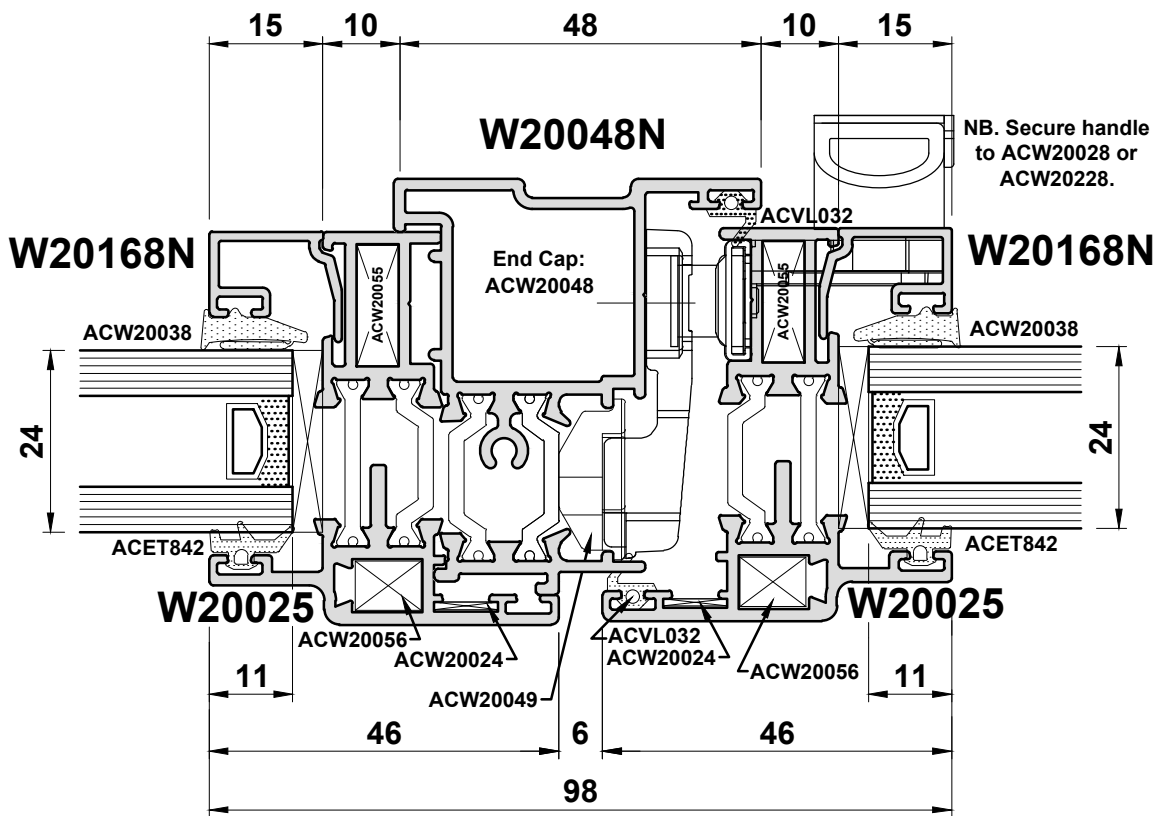
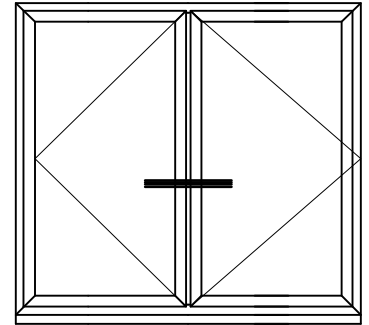
**Detail 11A**



**Do Not Scale From This Drawing**

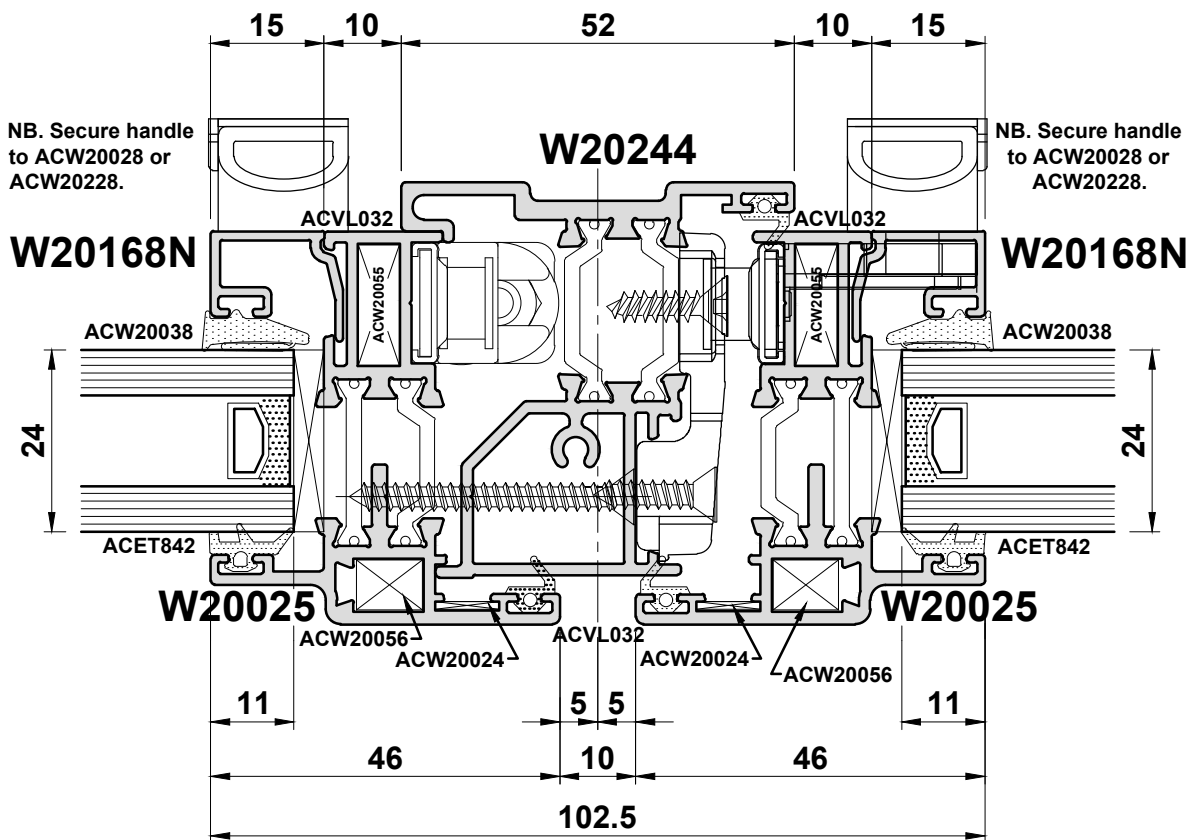
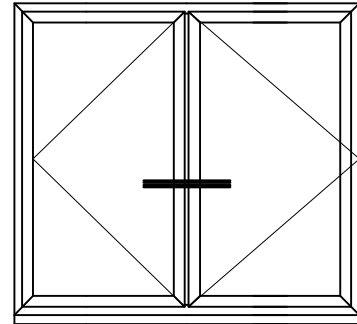


Detail 11B



Do Not Scale From This Drawing

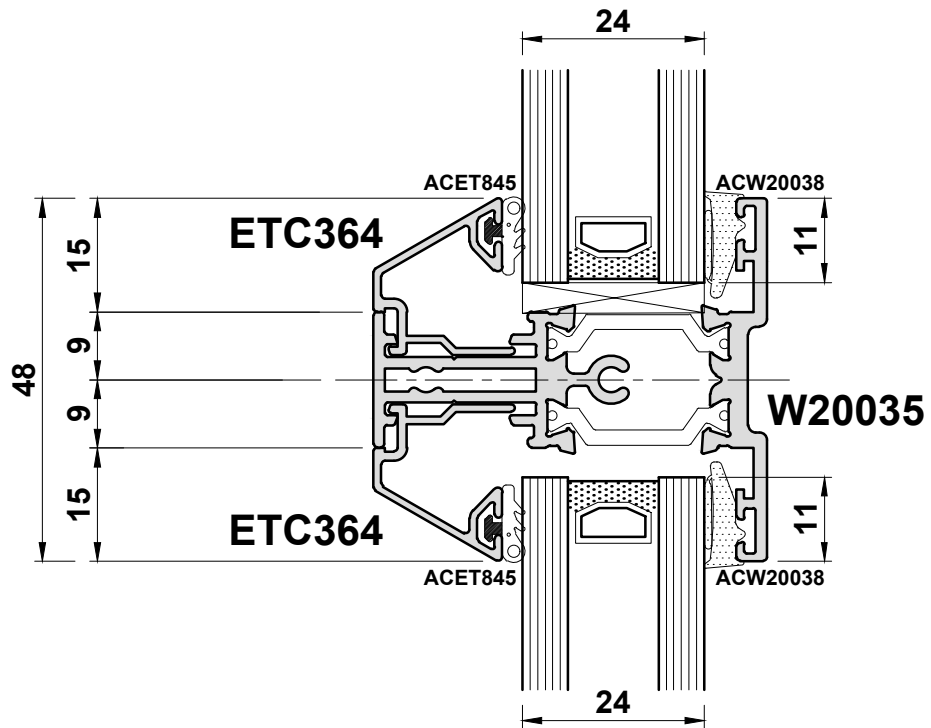
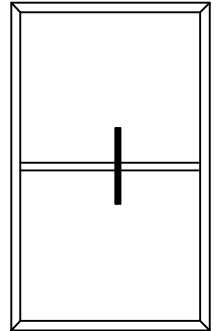
**Detail 11C**



**Note:** W20244 cannot be used with W20122

**Do Not Scale From This Drawing**

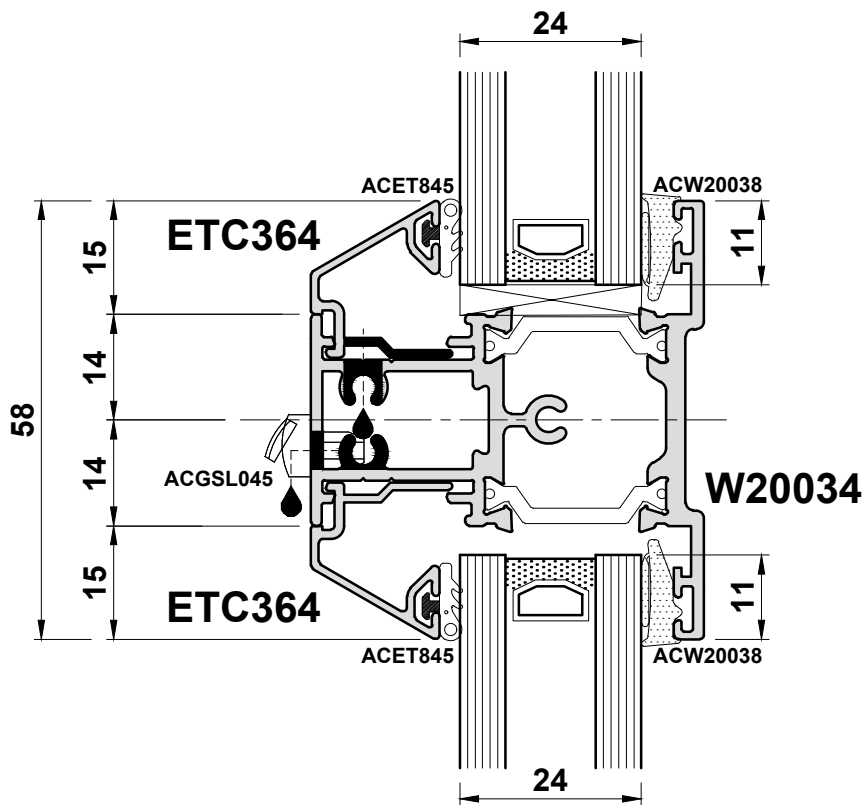
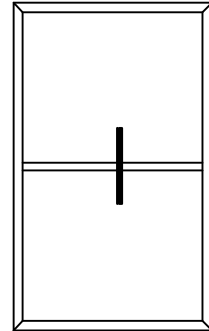
**Detail 12A**



**Note:** Transoms will drain through the join to the outerframe.

**Do Not Scale From This Drawing**

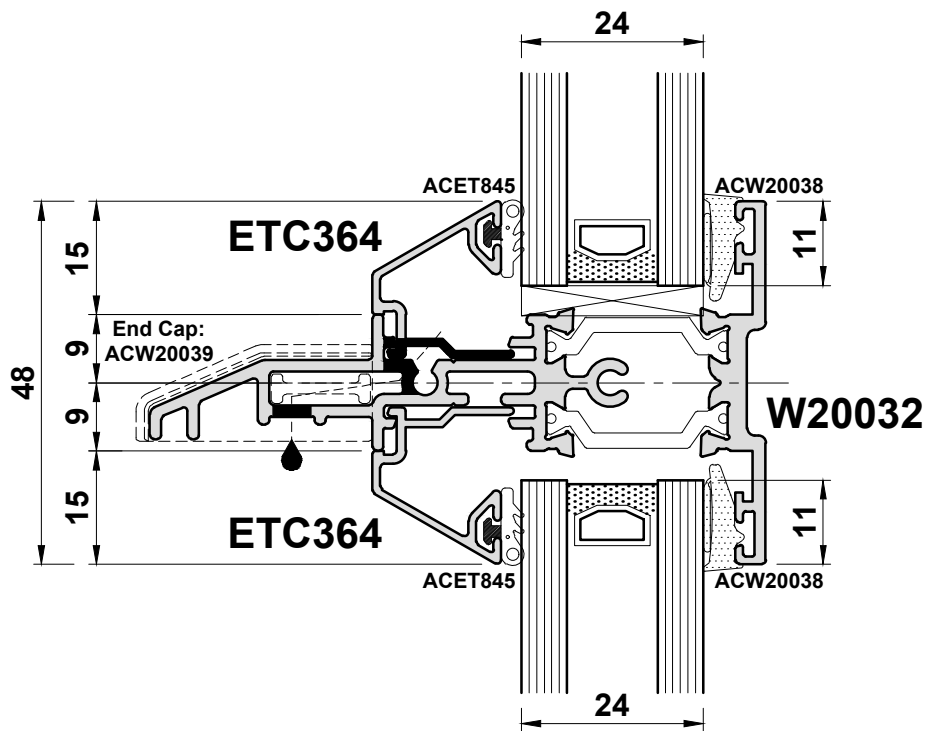
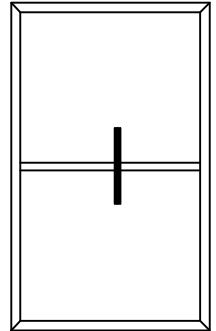
## Detail 12B



**Note:** Transoms will drain through the join to the outerframe.

**Do Not Scale From This Drawing**

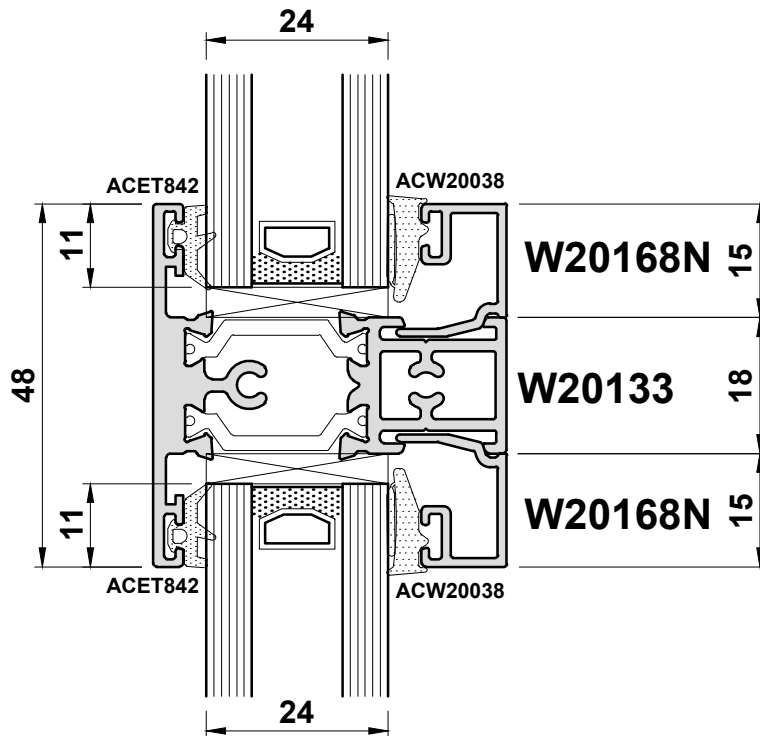
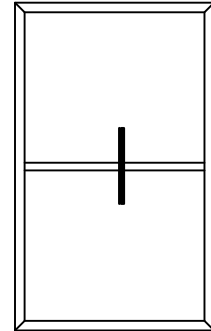
## Detail 12C



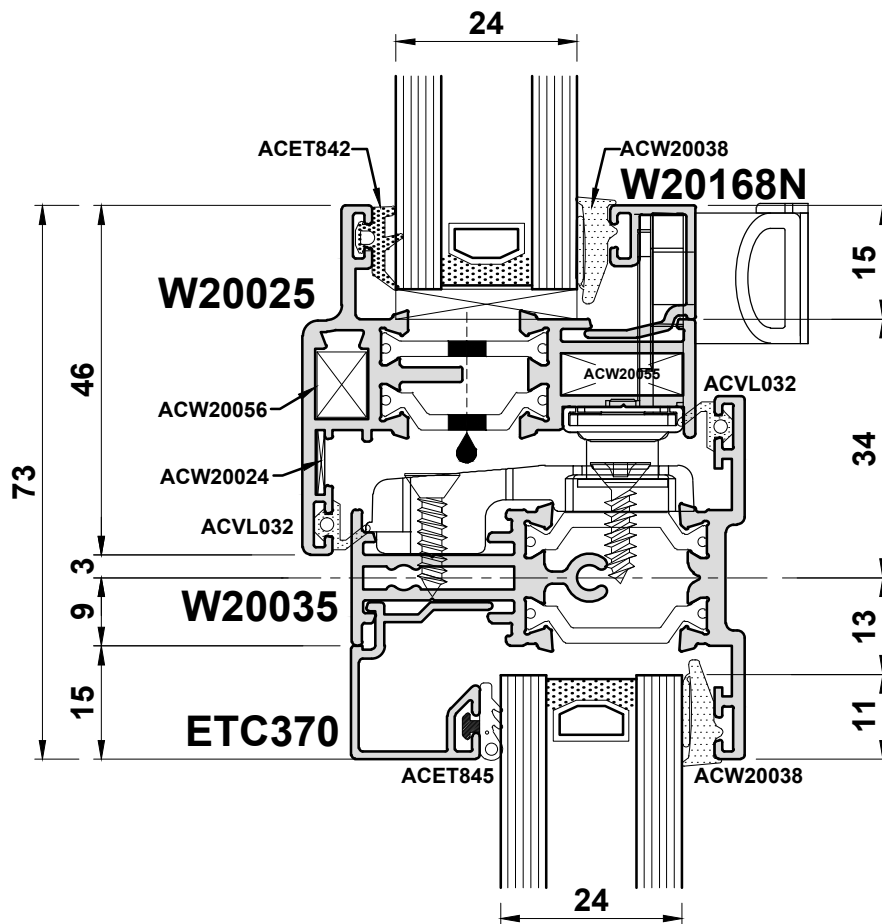
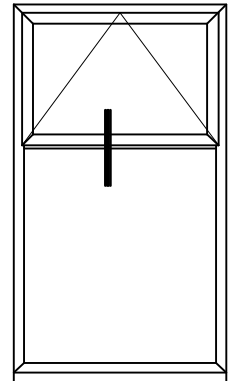
**Note:** Transoms will drain through the joint to the outerframe.

**Do Not Scale From This Drawing**

## Detail 12D



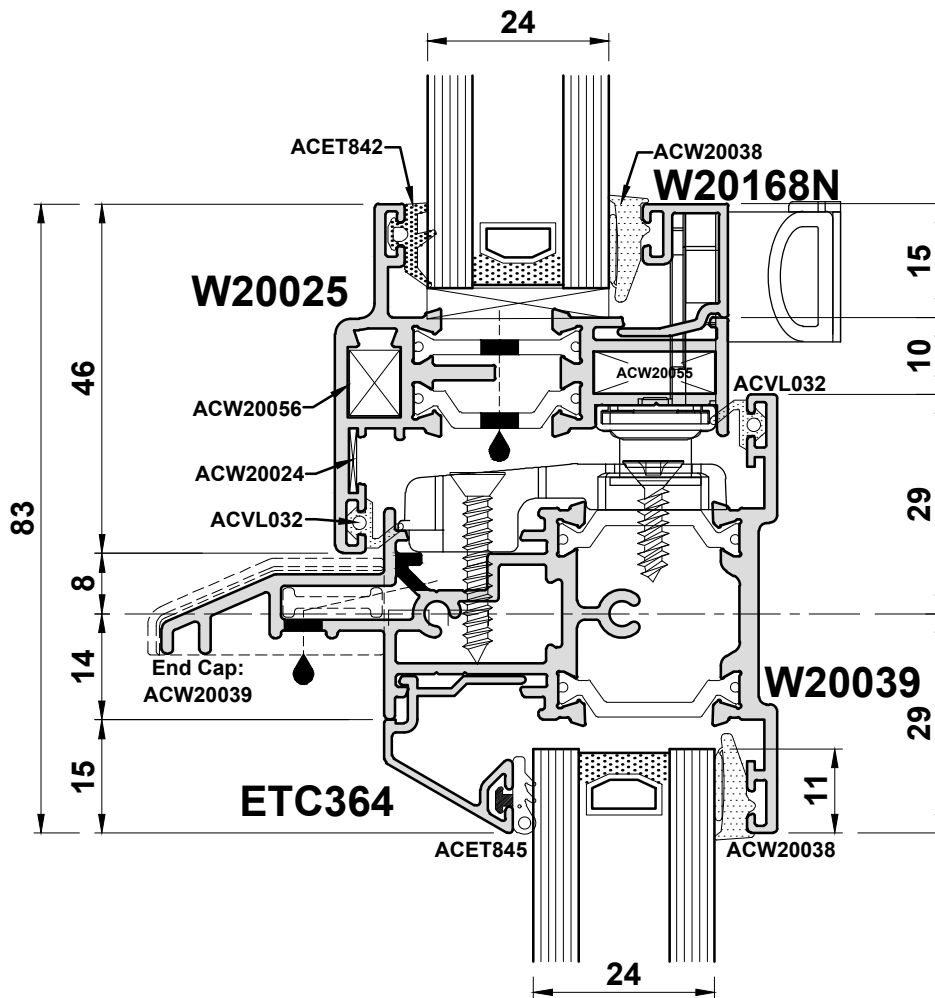
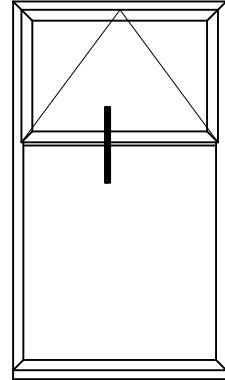
Do Not Scale From This Drawing



**Note:** Transoms will drain through the join to the outerframe.

**Do Not Scale From This Drawing**

**Detail 13B**

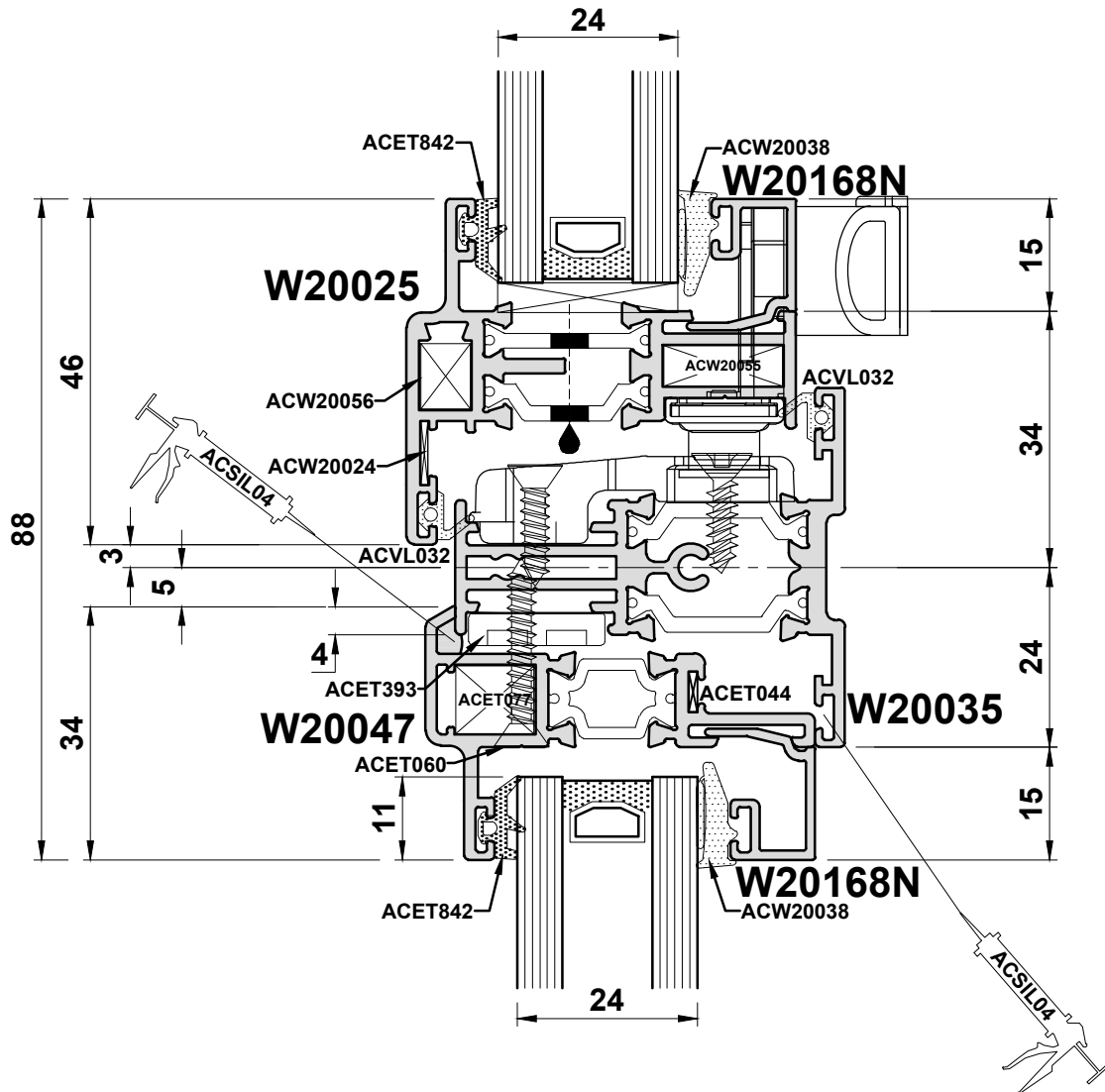
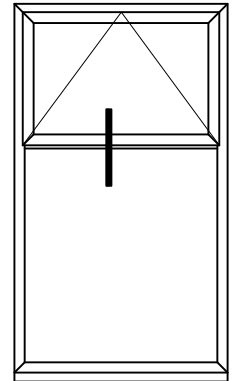


**Note:** Transoms will drain through the join to the outerframe.

**Do Not Scale From This Drawing**



Detail 13C

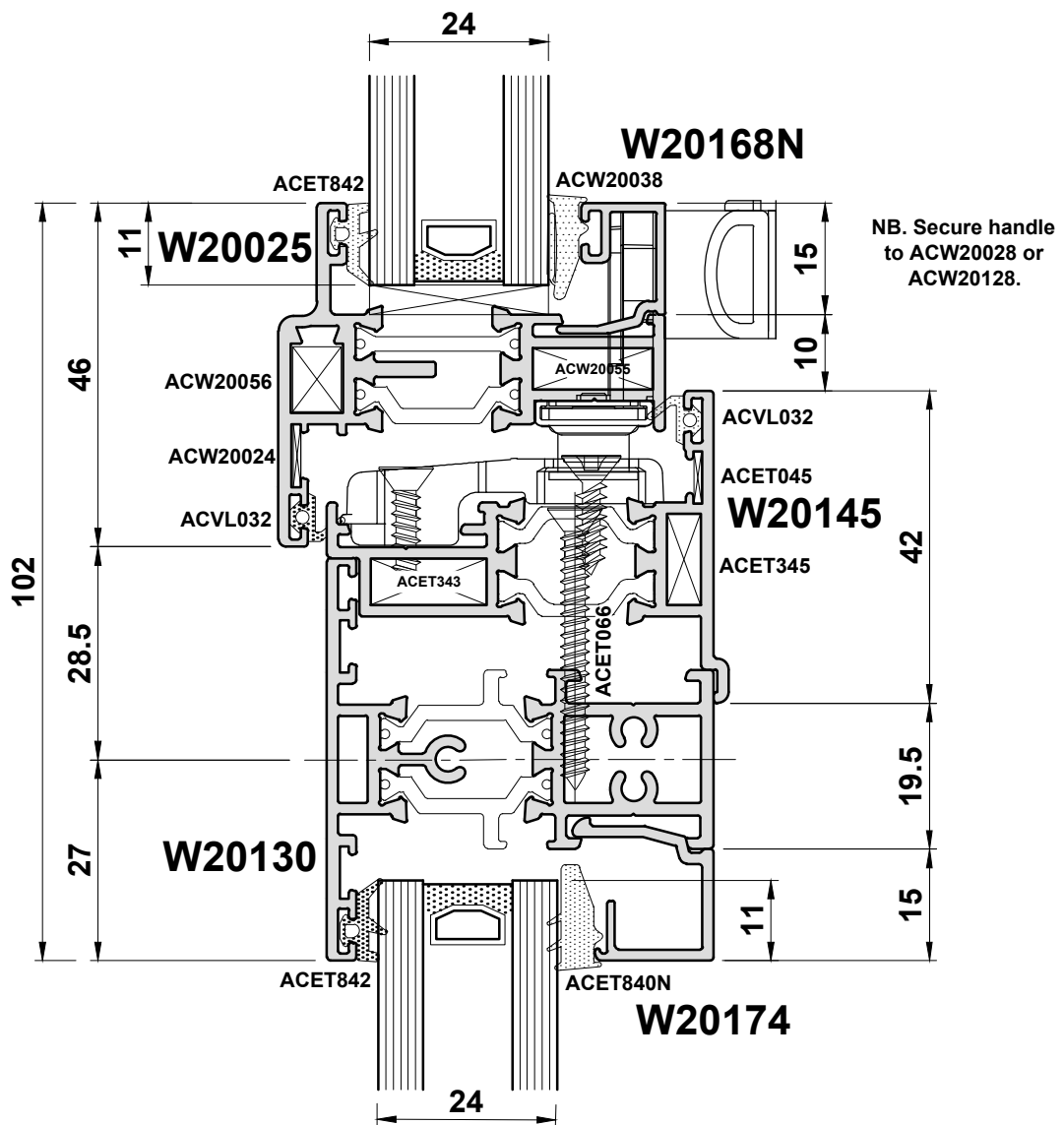
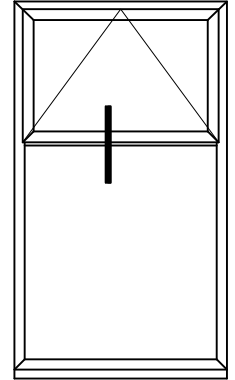


**Note:** Transoms will drain through the joint to the outerframe.

**Do Not Scale From This Drawing**

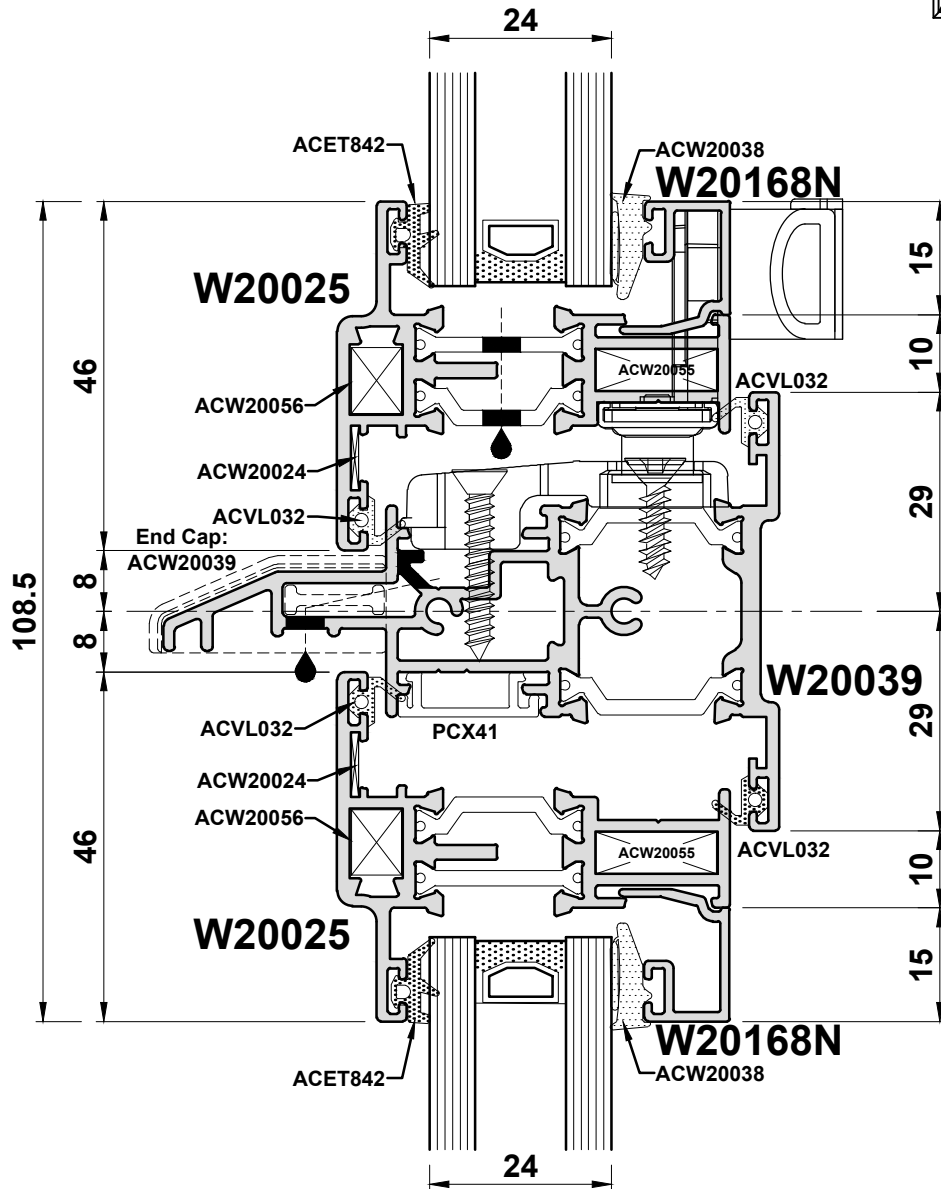
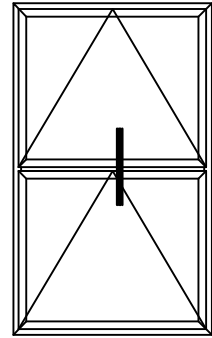


Detail 13E



Do Not Scale From This Drawing

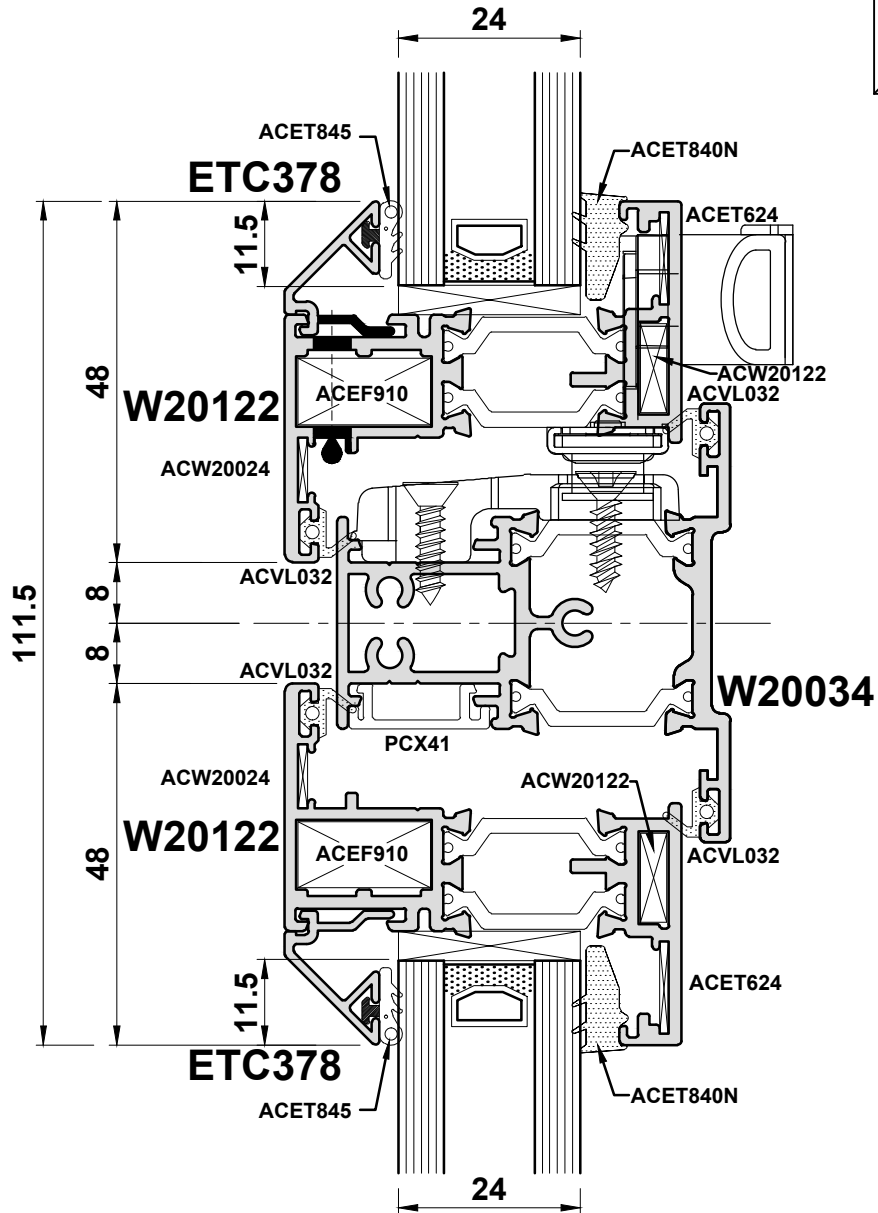
**Detail 14A**



**Note:** Transoms will drain through the join to the outerframe.

**Do Not Scale From This Drawing**

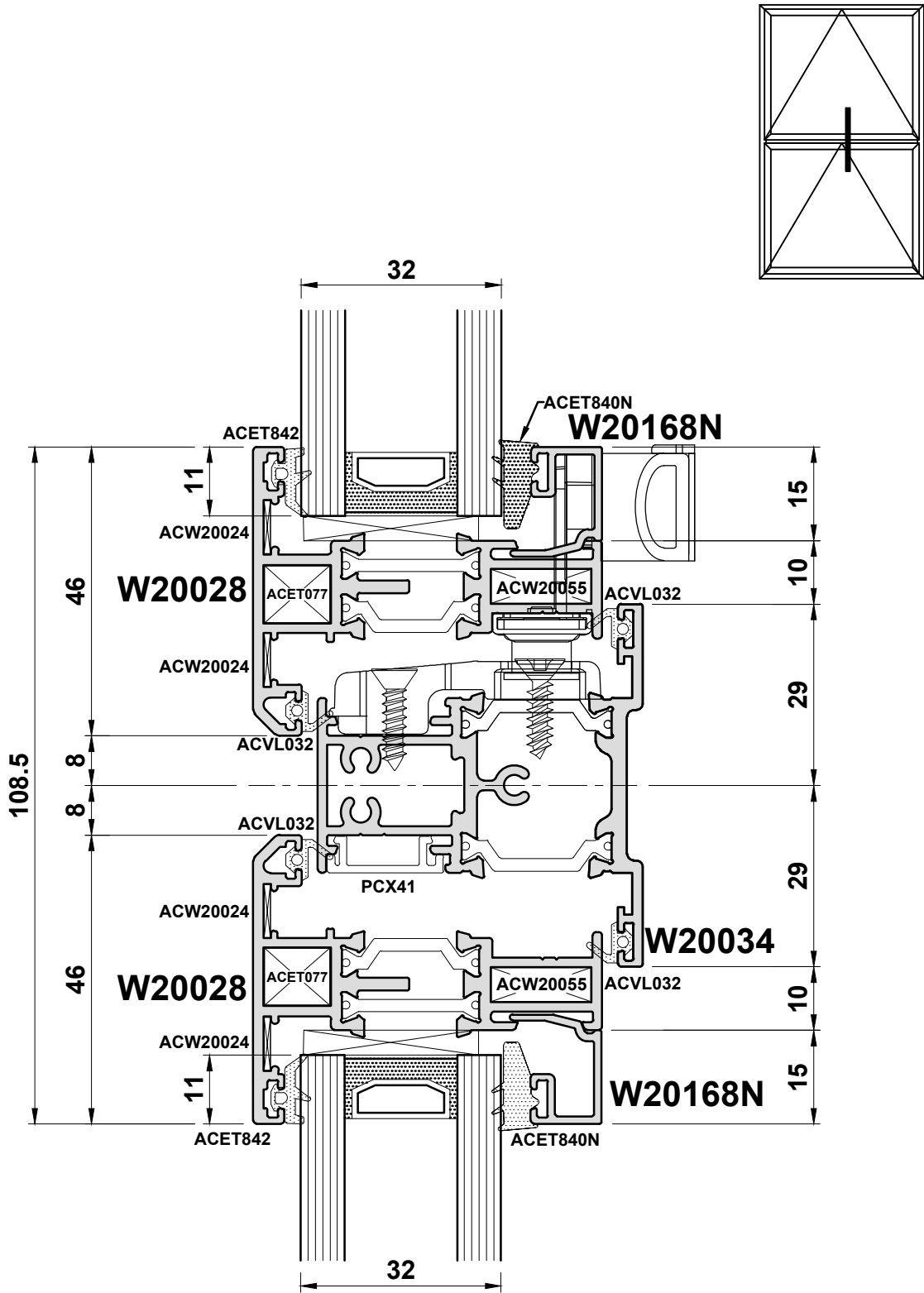
**Detail 14B**



**Note:** Transoms will drain through the joint to the outerframe.

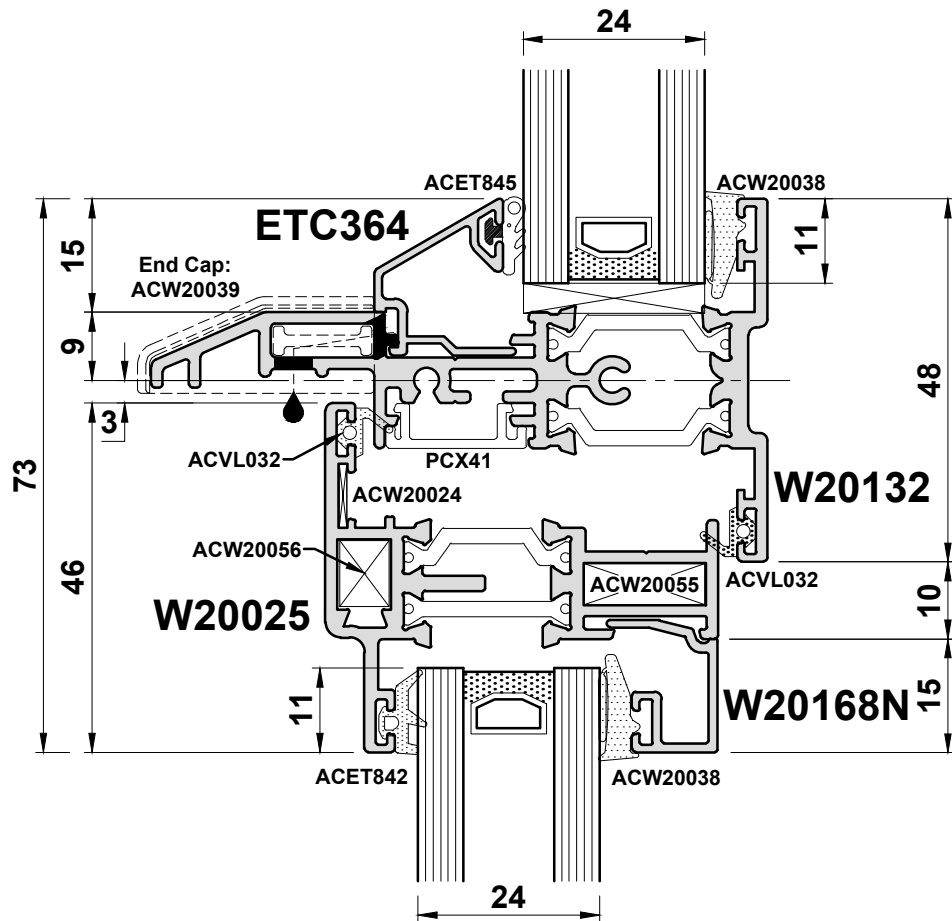
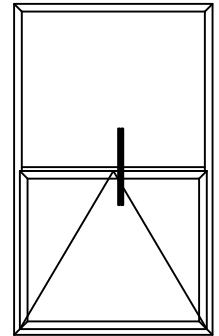
**Do Not Scale From This Drawing**

**Detail 14C**



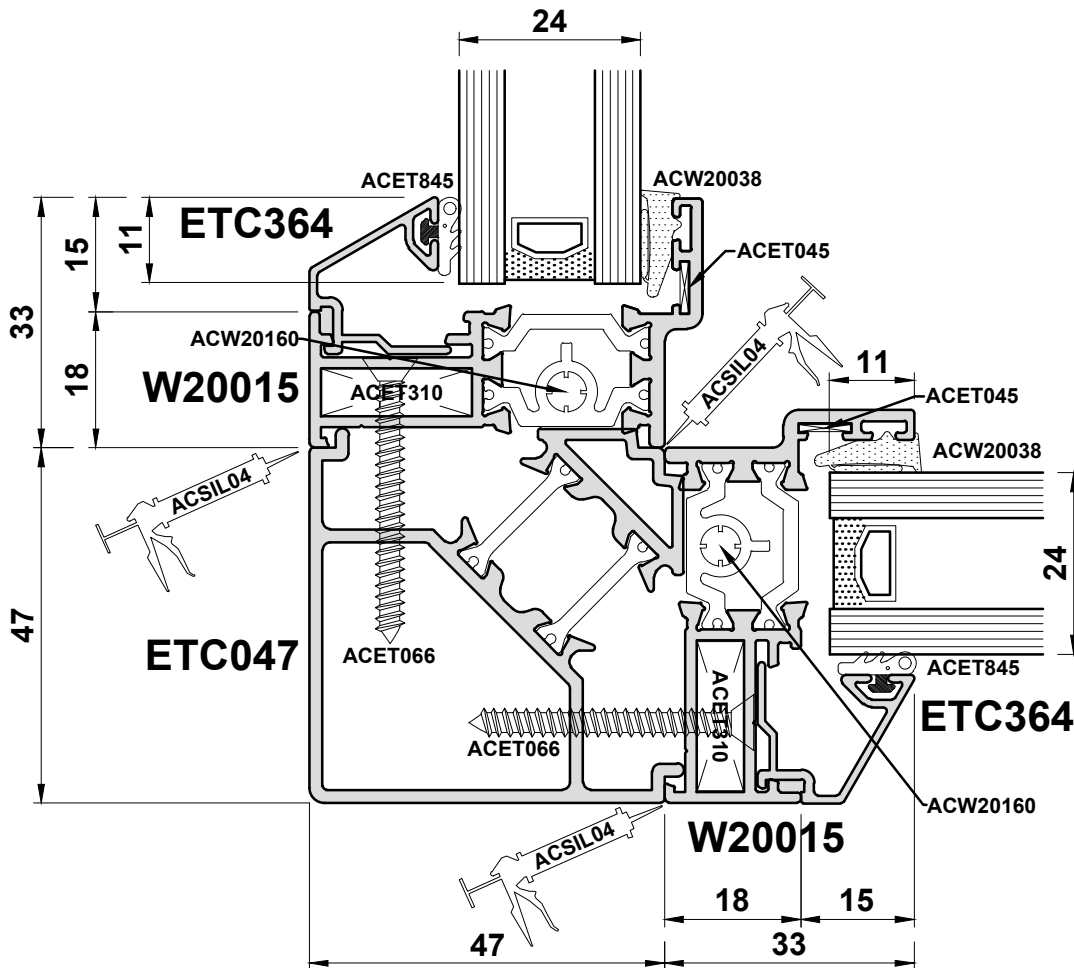
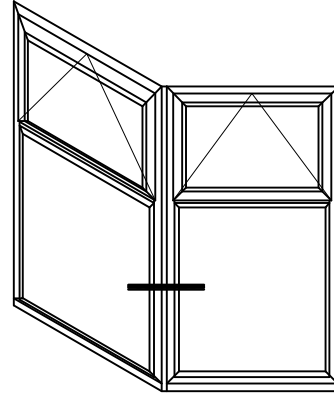
**Do Not Scale From This Drawing**

**Detail 15**



**Do Not Scale From This Drawing**

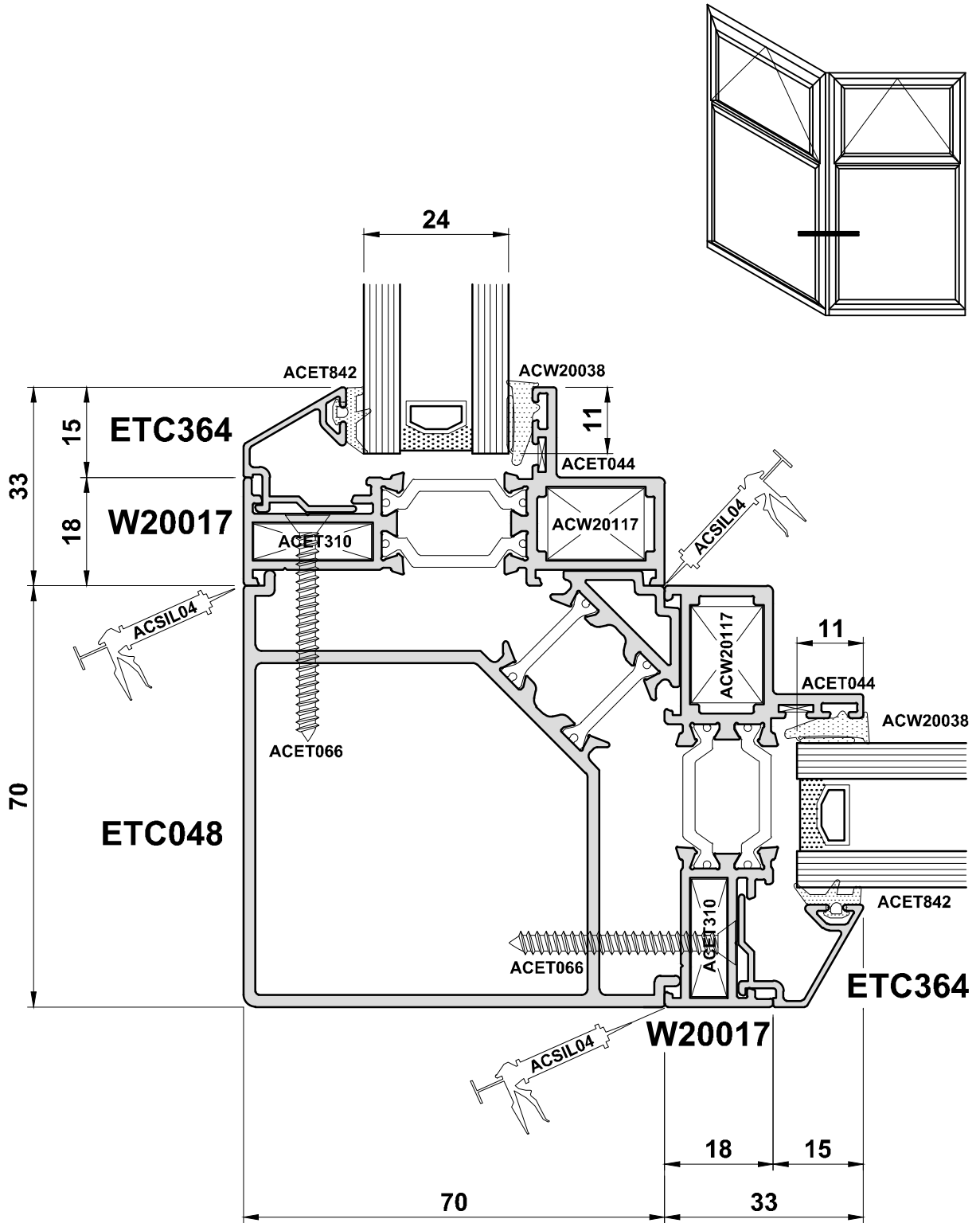
Detail 16A



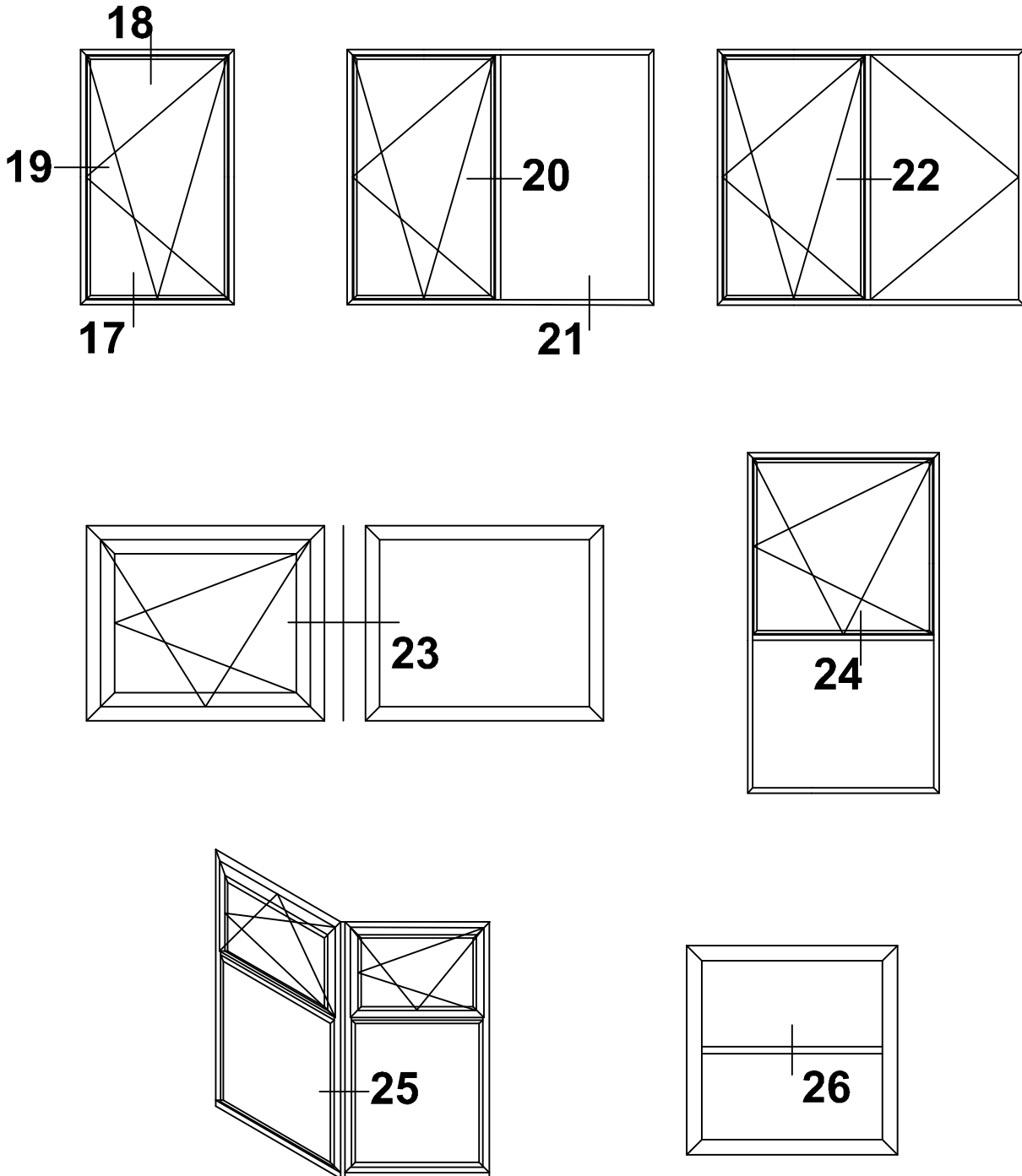
Do Not Scale From This Drawing



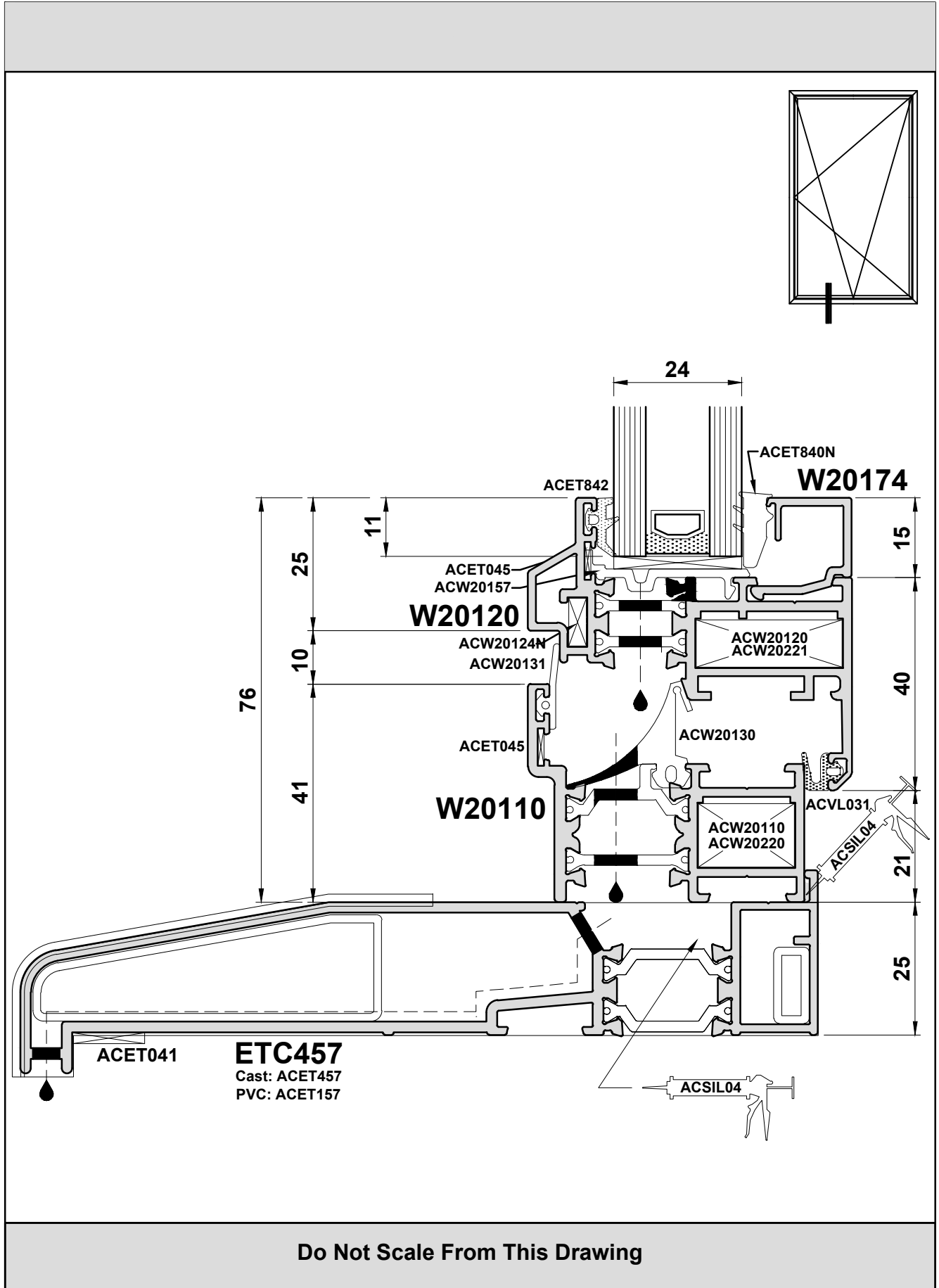
**Detail 16B**



**Do Not Scale From This Drawing**

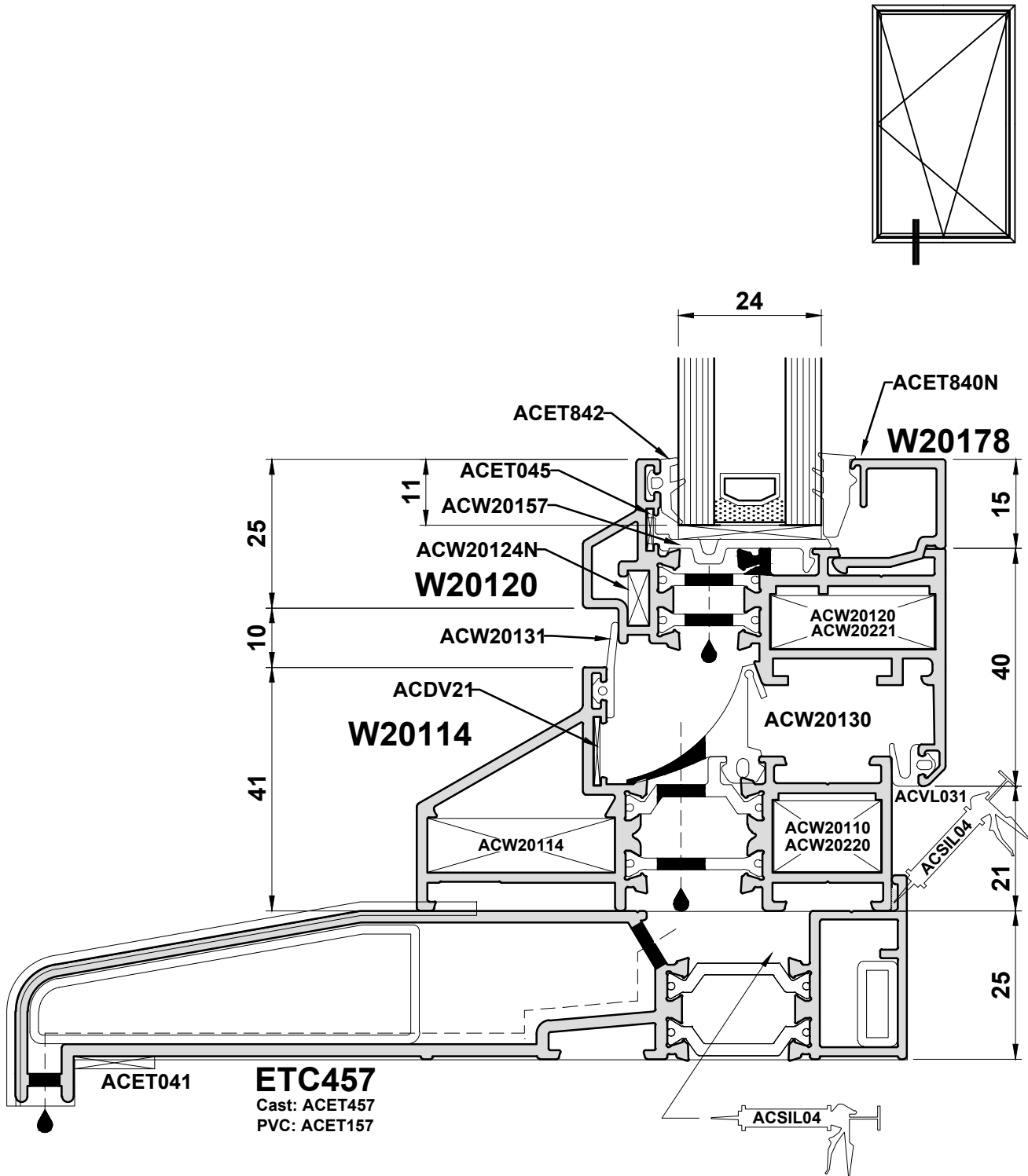


Do Not Scale From This Drawing



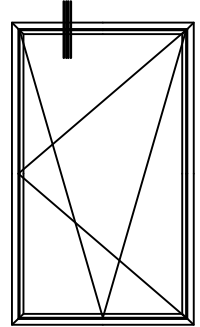
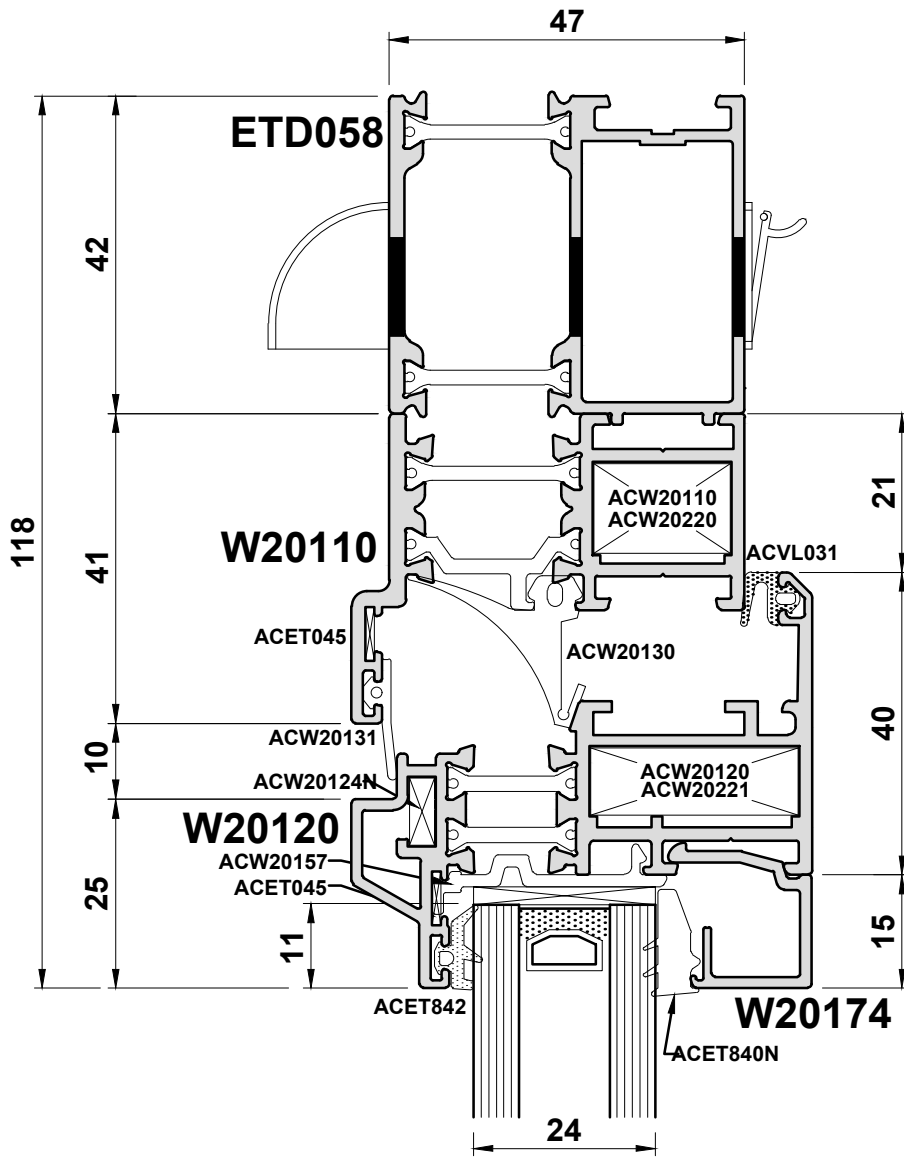
**Do Not Scale From This Drawing**

Detail 17B



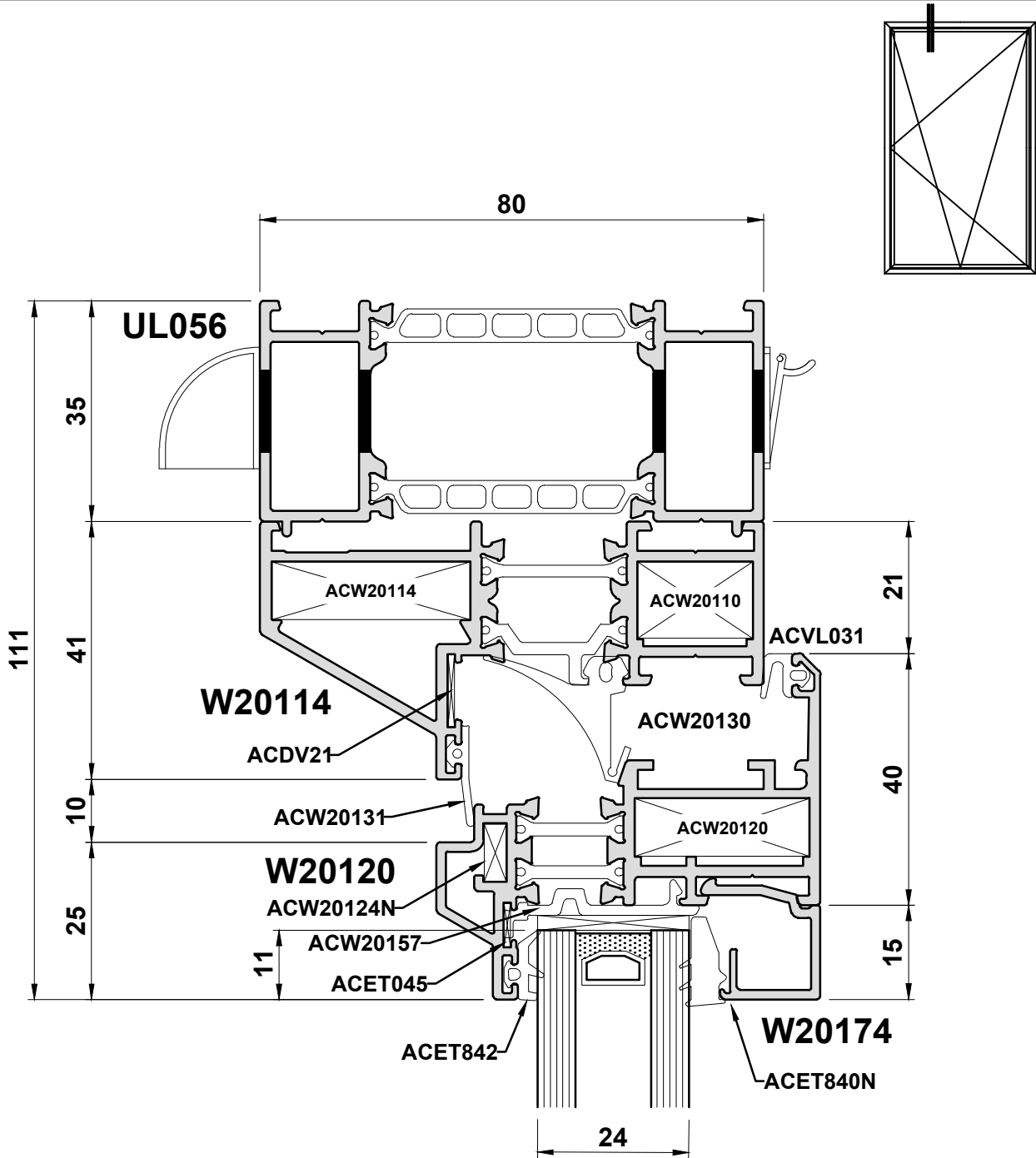
Do Not Scale From This Drawing

**Detail 18A**



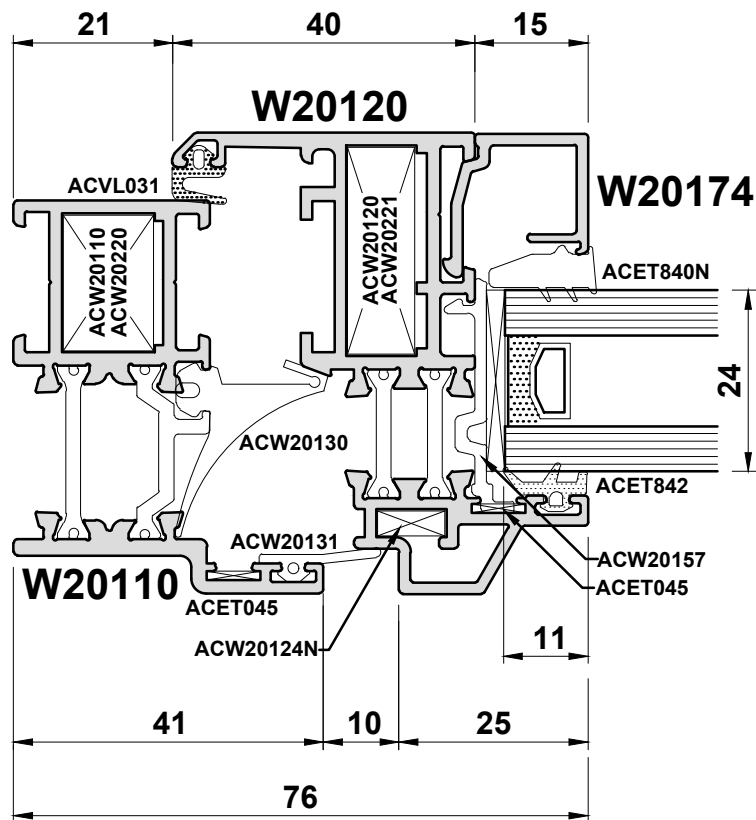
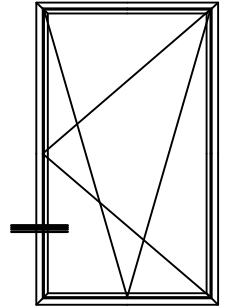
**Do Not Scale From This Drawing**

**Detail 18B**



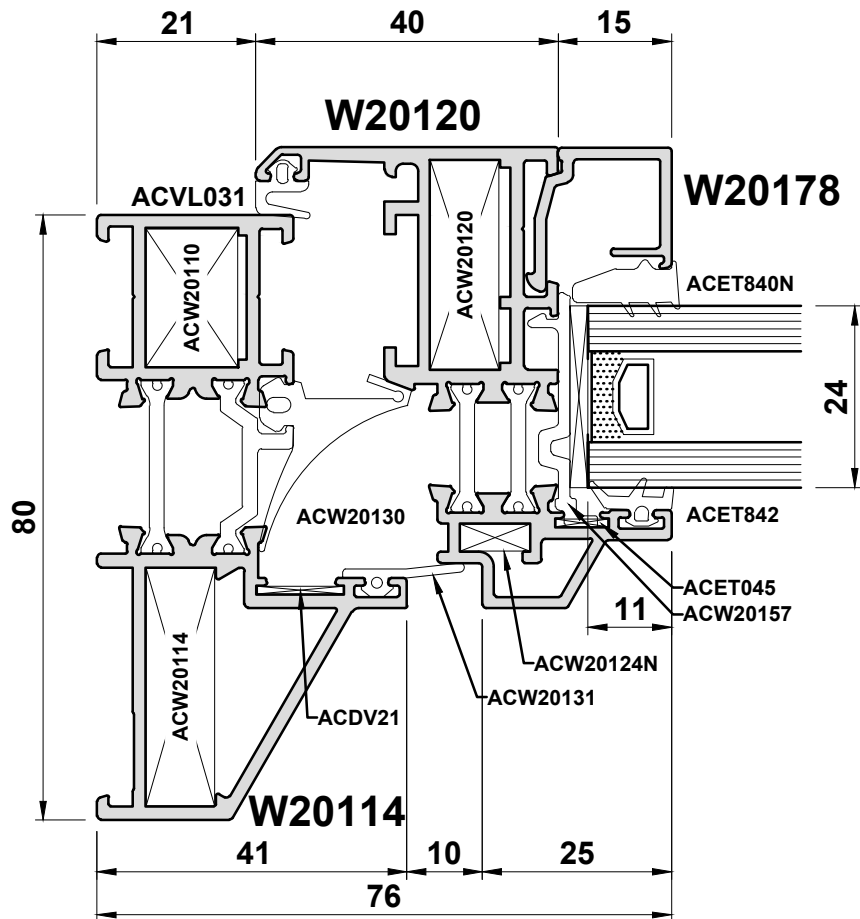
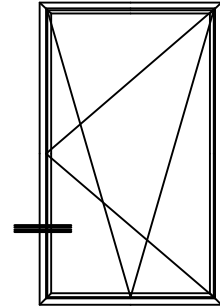
**Do Not Scale From This Drawing**

**Detail 19A**



**Do Not Scale From This Drawing**

**Detail 12B**

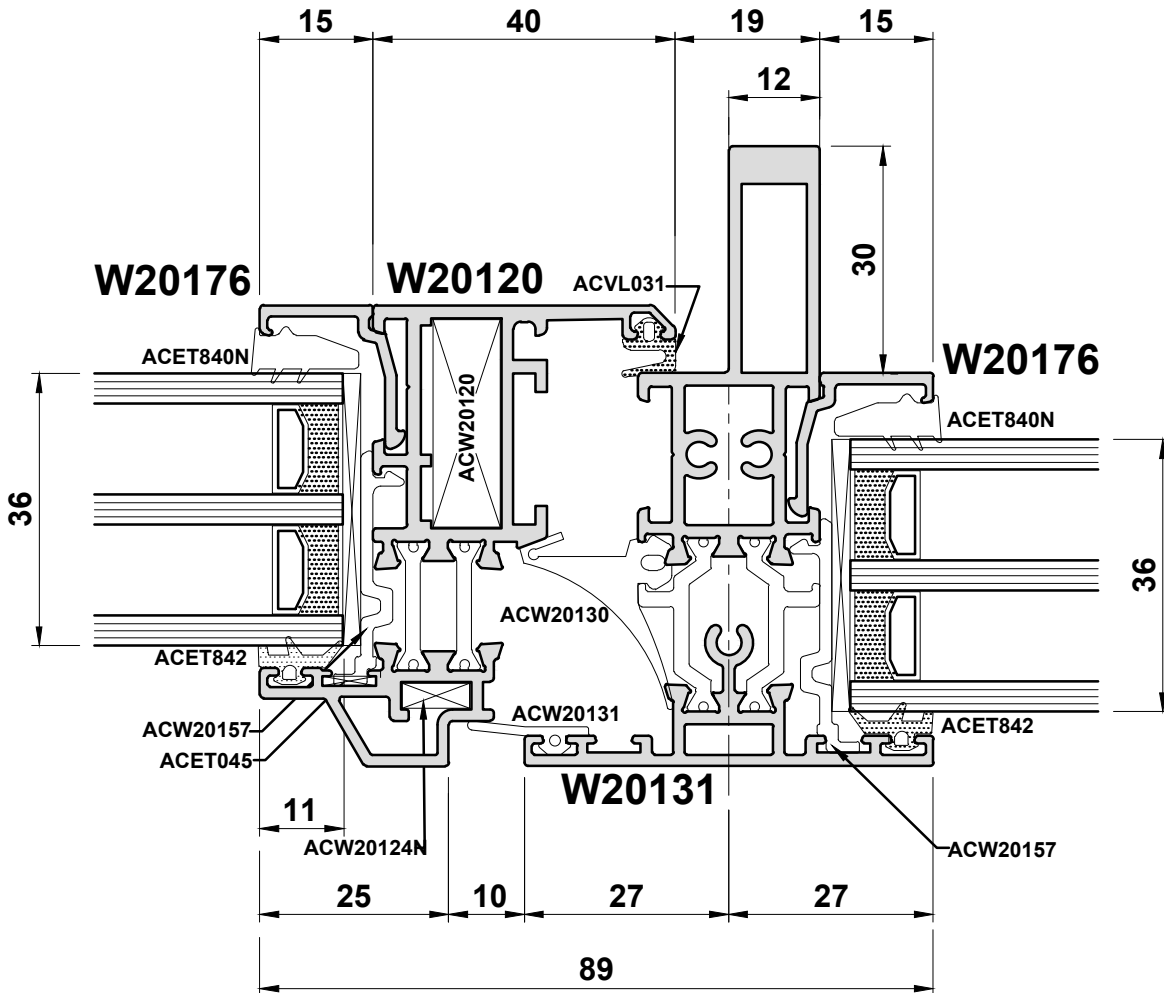
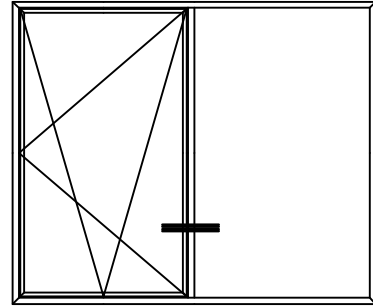


Do Not Scale From This Drawing





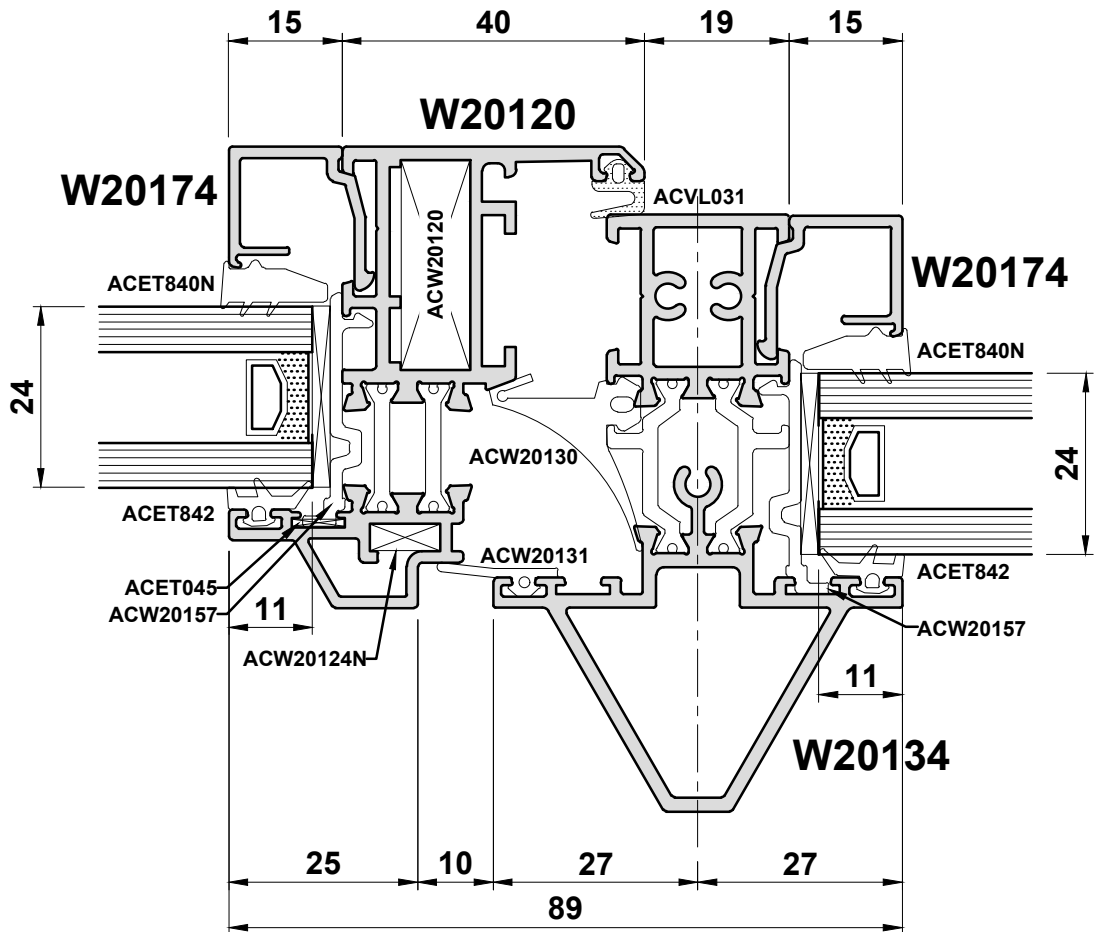
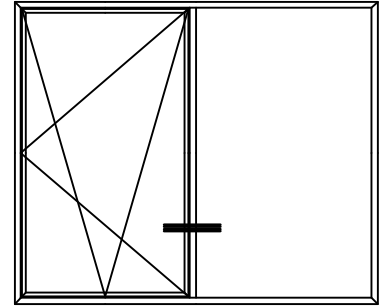
**Detail 20B**



**Note:** W20131 cannot be used with opening vents to both sides.

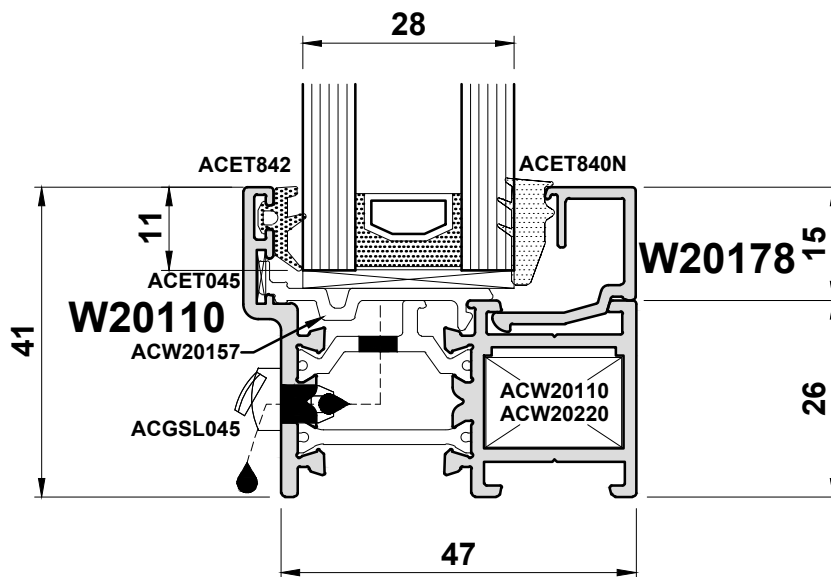
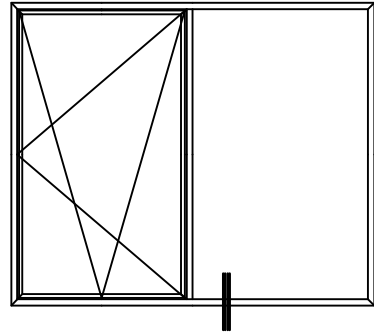
**Do Not Scale From This Drawing**

**Detail 20C**



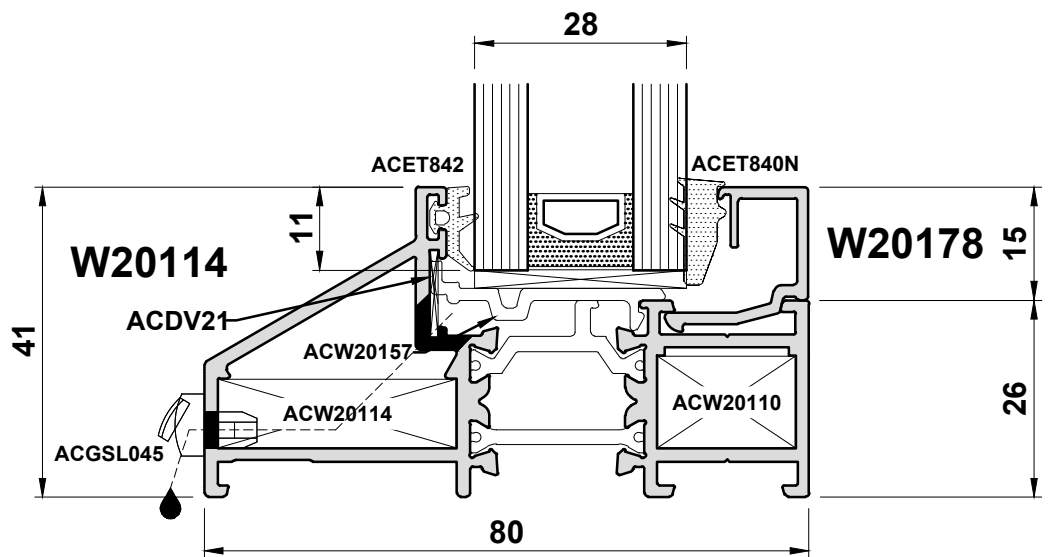
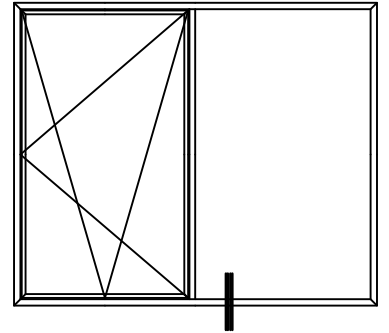
**Do Not Scale From This Drawing**

## Detail 21A



Do Not Scale From This Drawing

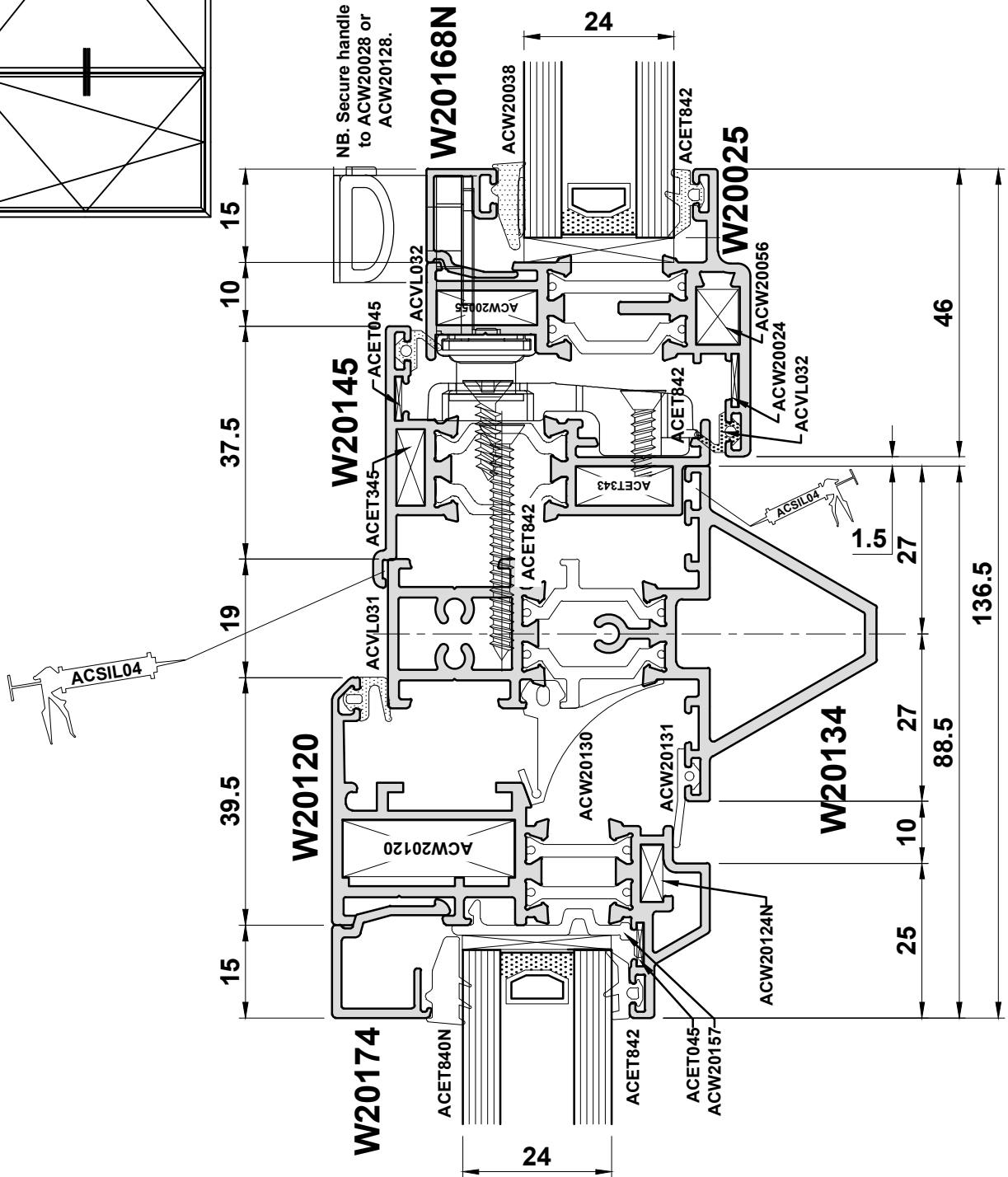
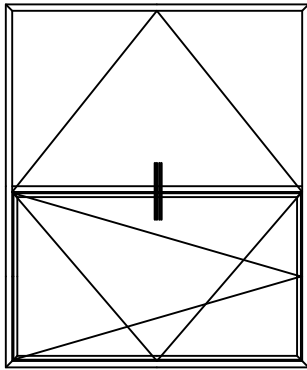
## Detail 21B



Do Not Scale From This Drawing



**Detail 22B**

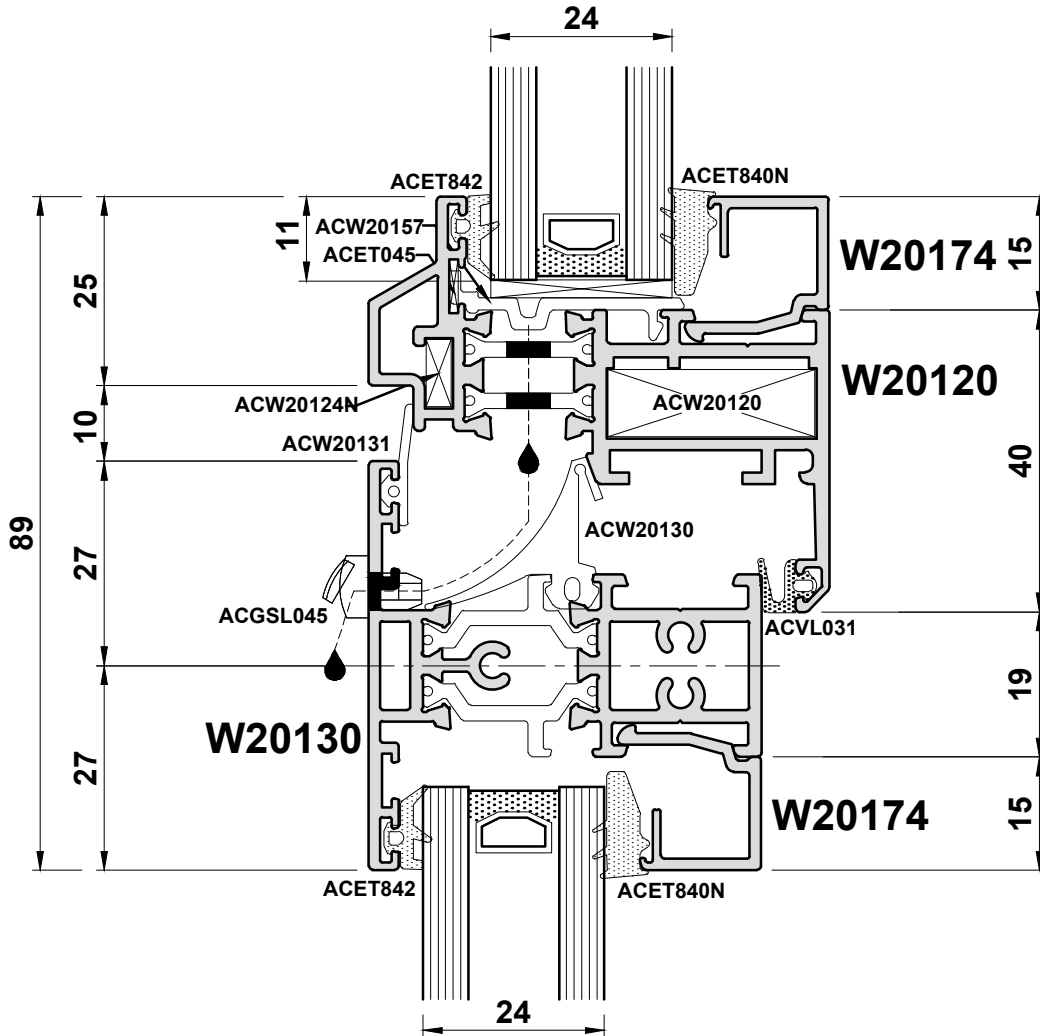
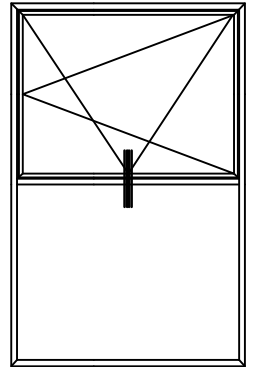


**Do Not Scale From This Drawing**



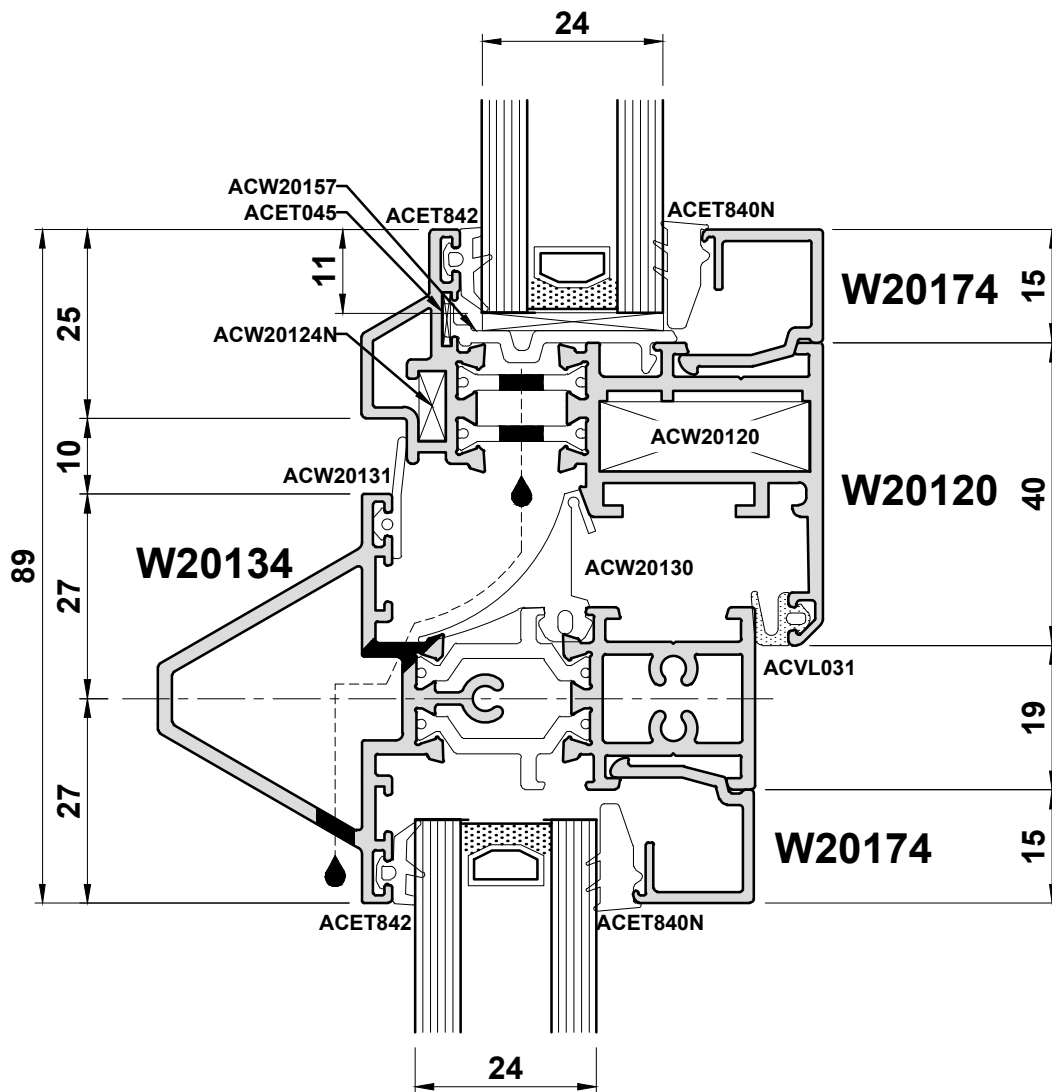
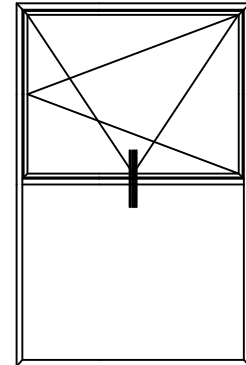


**Detail 24A**



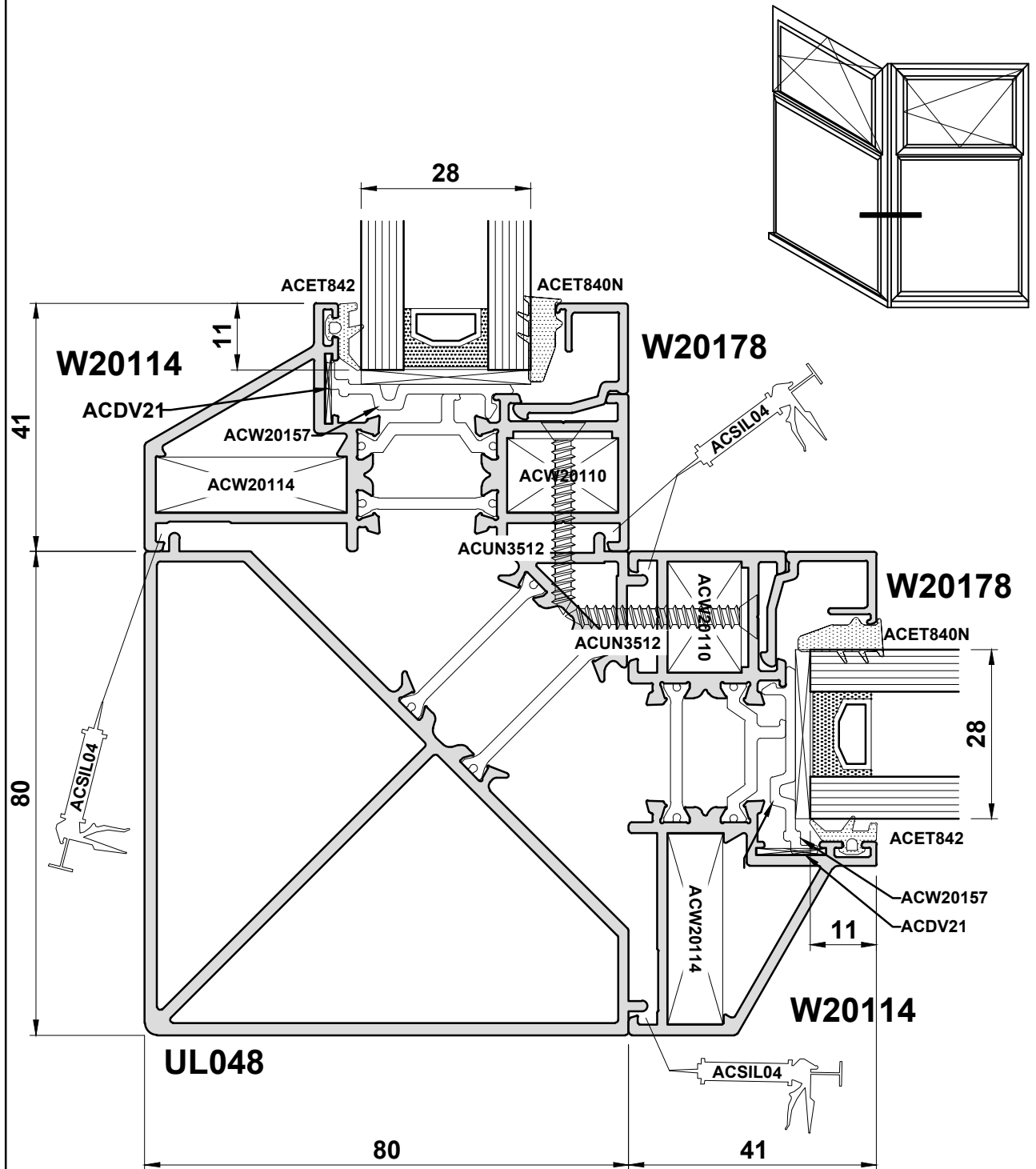
**Do Not Scale From This Drawing**

**Detail 24B**



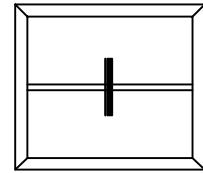
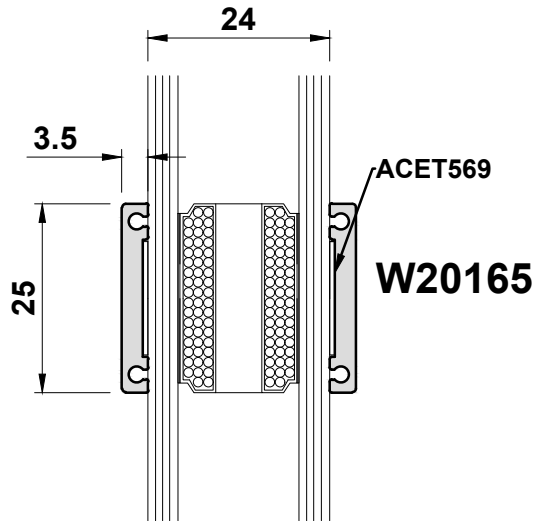
**Do Not Scale From This Drawing**

**Detail 25**

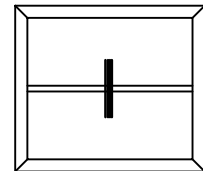
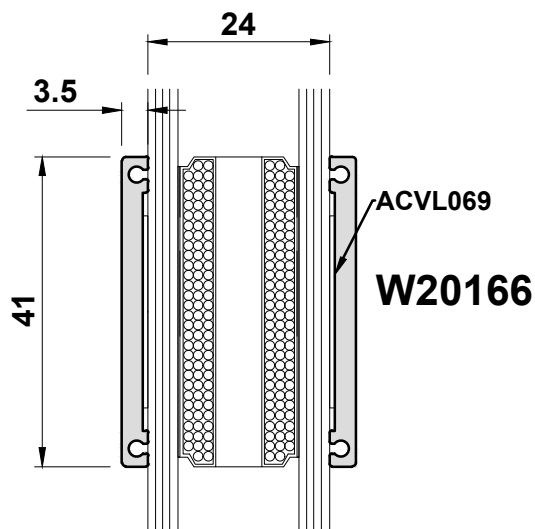


**Do Not Scale From This Drawing**

## Detail 26A



## Detail 26B



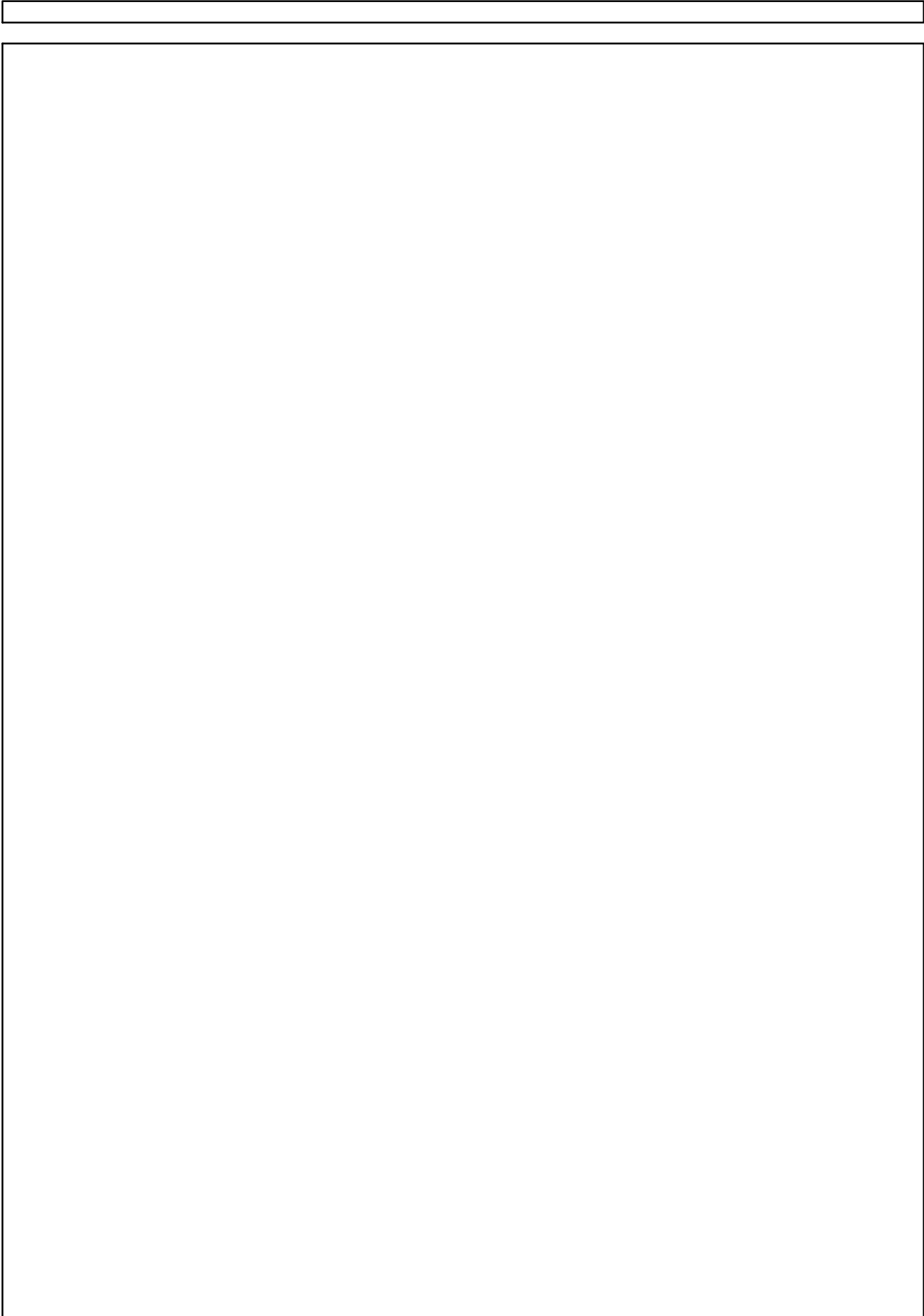
Do Not Scale From This Drawing

**Section D**

**Statics**

**General Size Limitations are shown on Page A03.**

**For Wind Loading Limitations, Please Contact  
The Technical Department - T: 01934 876100**

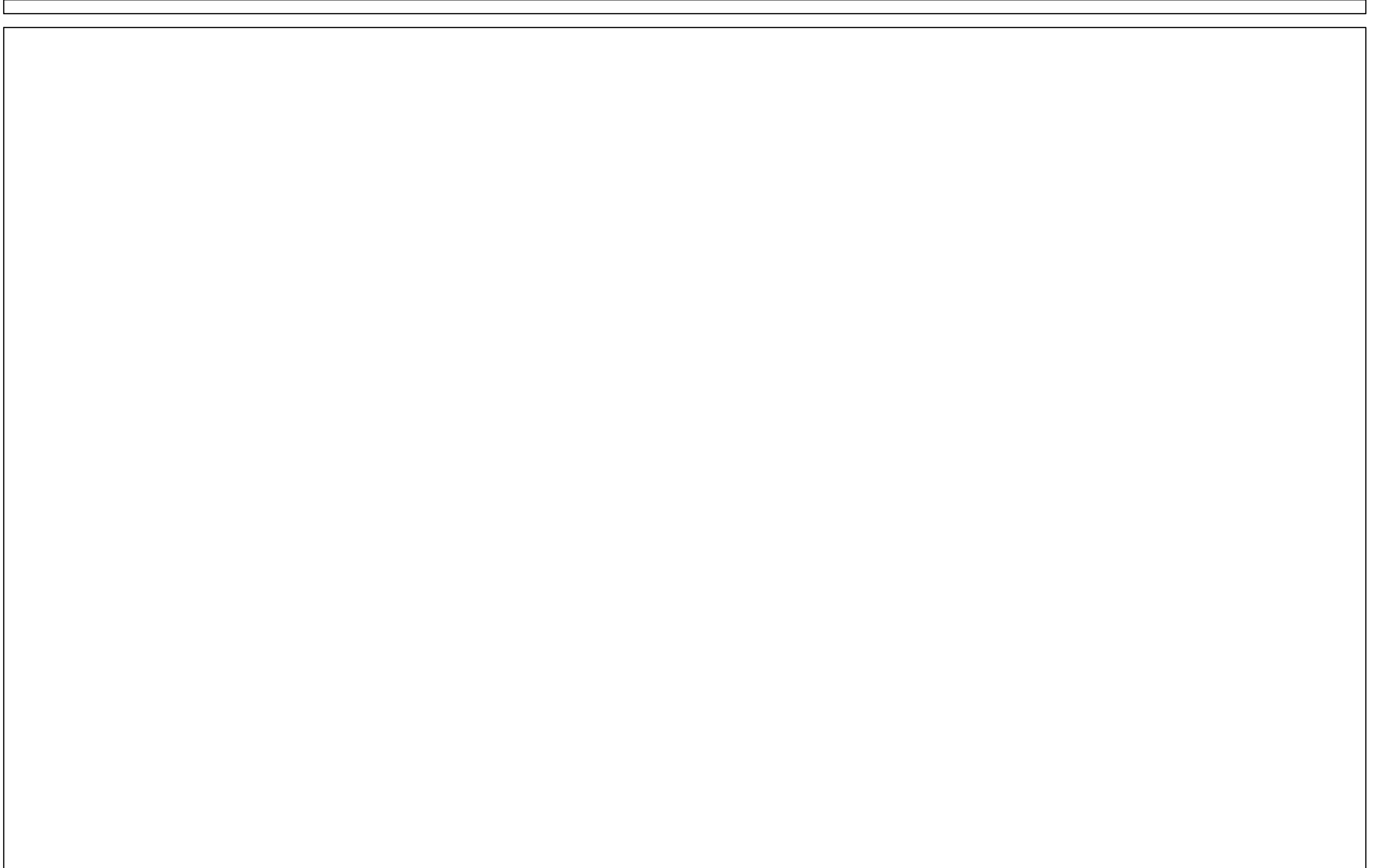


**Section E**



**Construction Drawings**

Corner Joint Details.....	E03
Corner Crimping.....	E04 - E05
Drainage.....	E06 - E07
Angled Sub Cill.....	E08
Mullion/Transom Details.....	E09 - E12
Friction Stays.....	E13 - E14
Friction Stay Accessories.....	E15
Lock Installation.....	E16 - E19
Window French Casement.....	E20 - E21
Peg Stays.....	E22
W20492 Horizontal Coupler Detail.....	E23
UN3000 Horizontal Coupler Detail.....	E24
Astragal Bar Detail.....	E25
Tilt & Turn Size Chart.....	E26
ACUN3140 Hinge.....	E27
Tilt & Turn Variable Angle Cleat Detail.....	E28
Tilt & Turn Drainage.....	E29
Tilt & Turn Size Outer Frame & Sash Preperation.....	E30
Tilt & Turn Size Transom/Mullion.....	E31 - E34
Glazing Chart.....	E35 - E38
Bay Pole Detail.....	E39 - E40
Fixing Strap Guide.....	E41





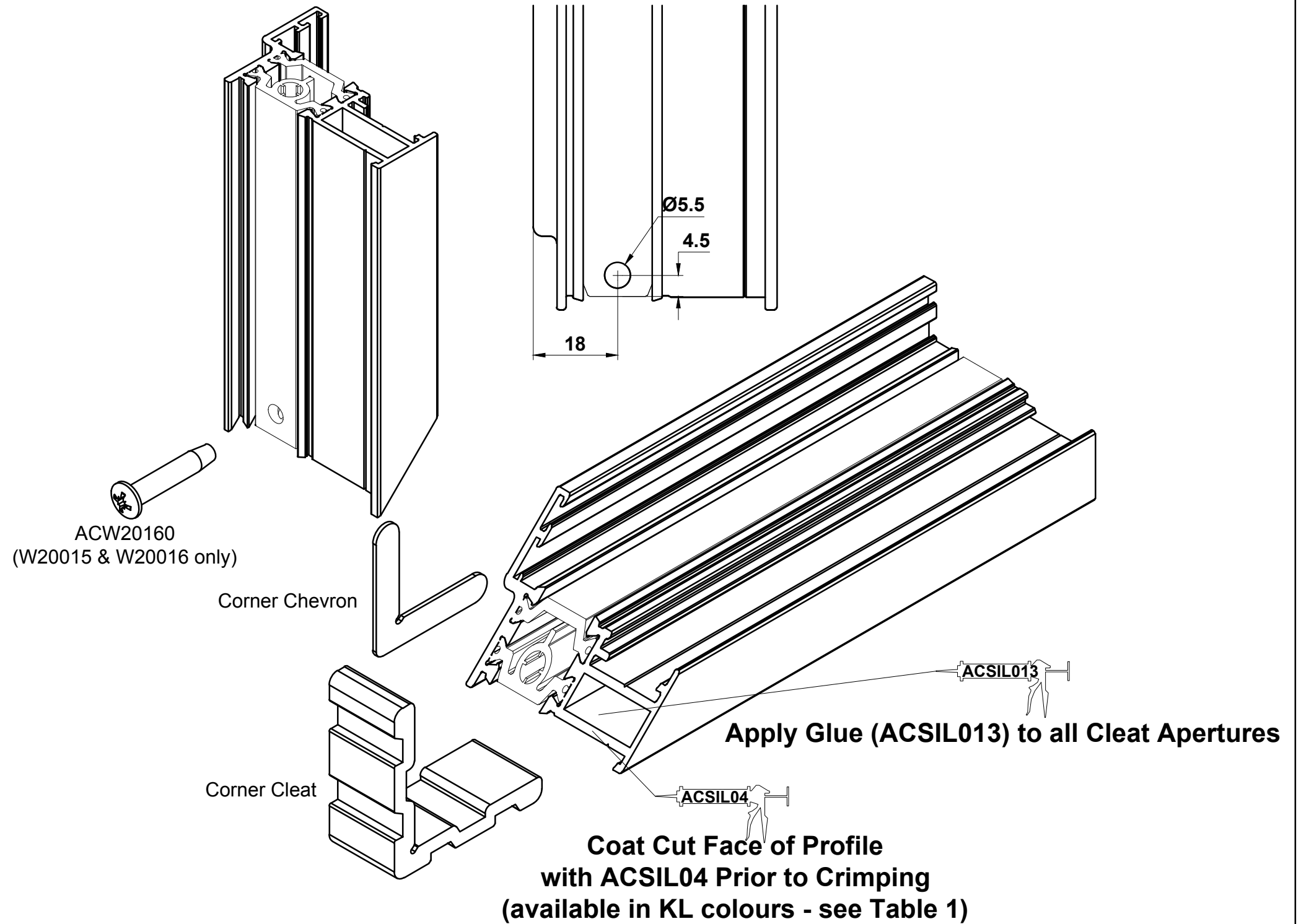
**Corner Joint Details**

Notes

1. Degrease mitre sections
2. Cover mitred faces with ACSIL04
3. Apply ACSIL013 to cleat chamber
4. Apply ACSIL04 to any fractures formed by crimping to make watertight

**Table 1**

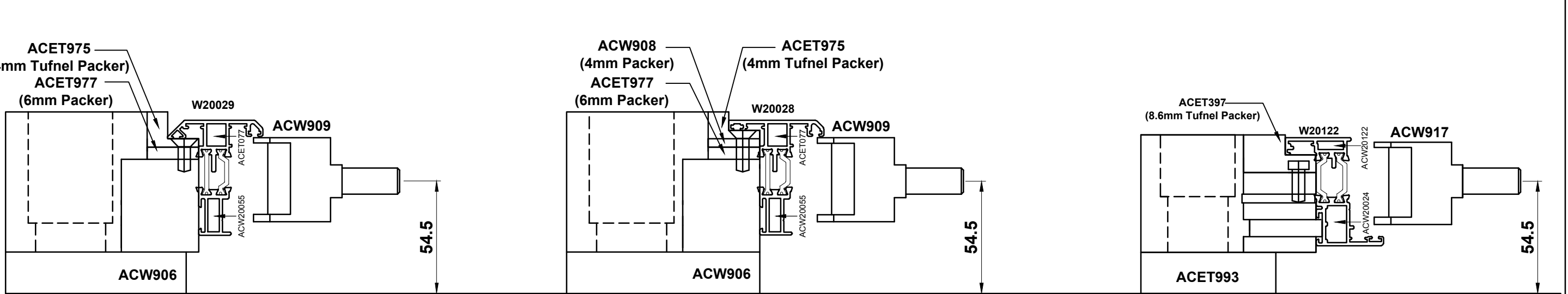
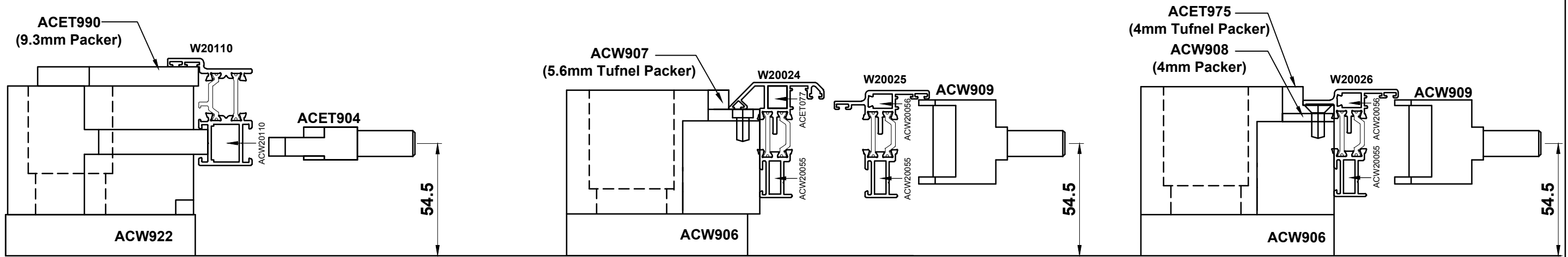
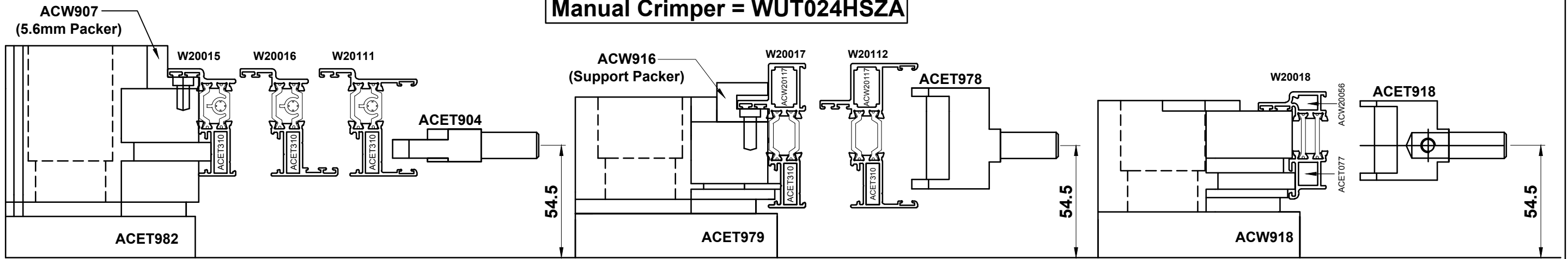
KL Colour	Sealant Part Number
Black	ACSIL04BL
White	ACSIL04WP
Clear	ACSIL04CL
KL001	ACSIL04KL001
KL002	ACSIL04KL002
KL003	ACSIL04KL003
KL004	ACSIL04KL004
KL005	ACSIL04KL005
KL006	ACSIL04KL006
KL007	ACSIL04KL007
KL010	ACSIL04KL010
KL011	ACSIL04KL011
KL012	ACSIL04KL012
KL013	ACSIL04KL013



Do Not Scale From This Drawing

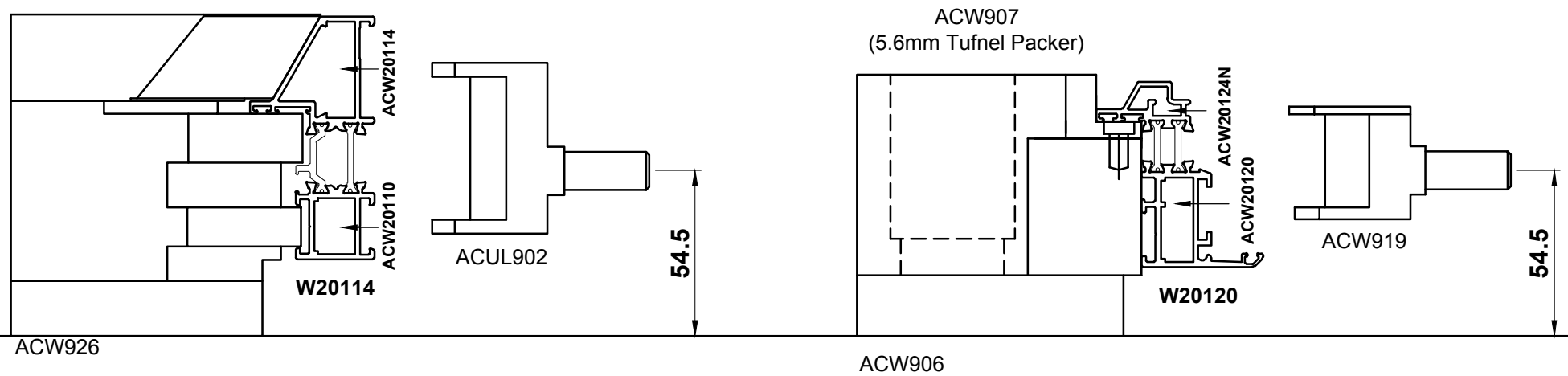
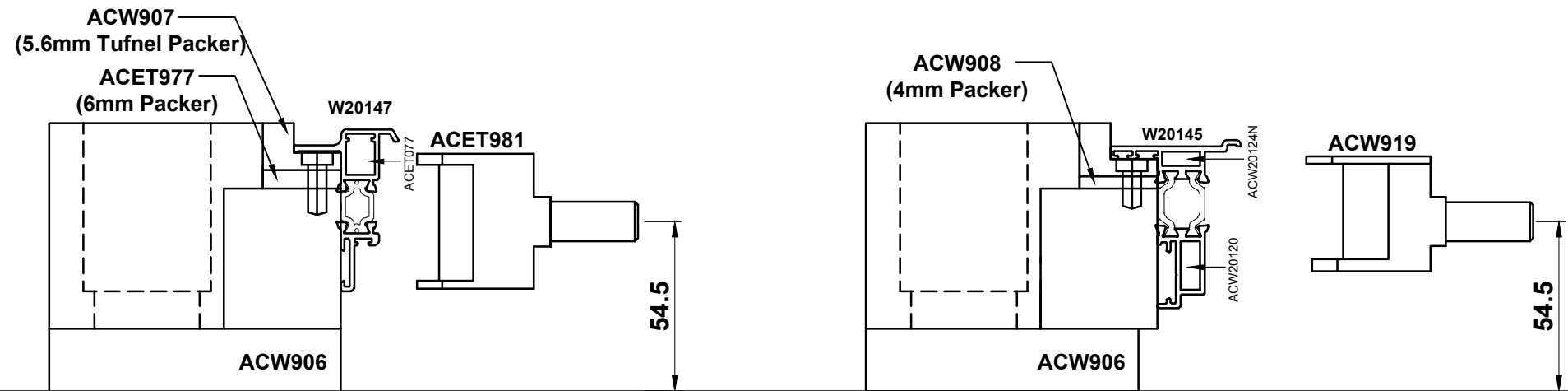
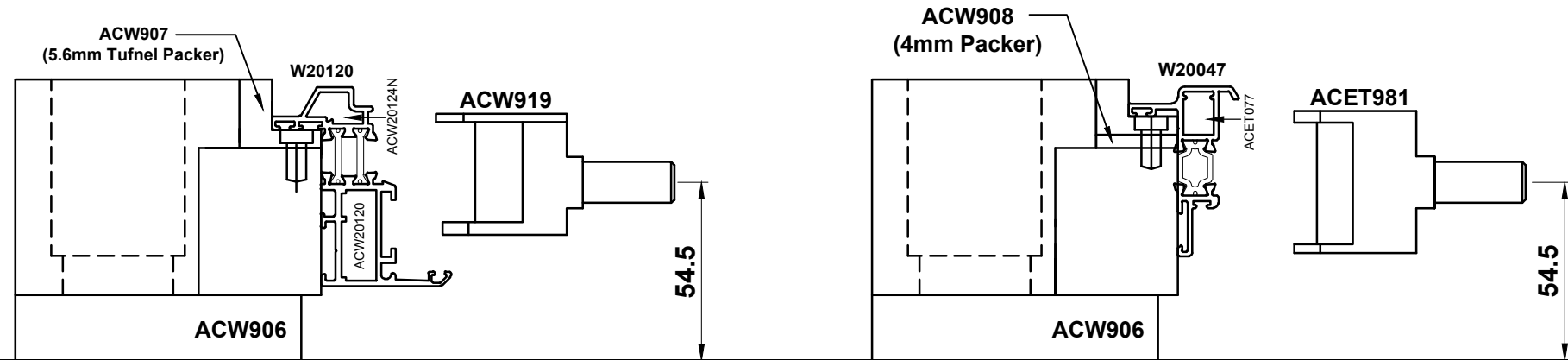
**Crimping Details**

**Manual Crimper = WUT024HSZA**



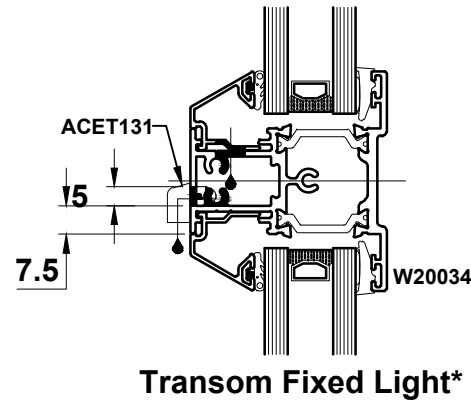
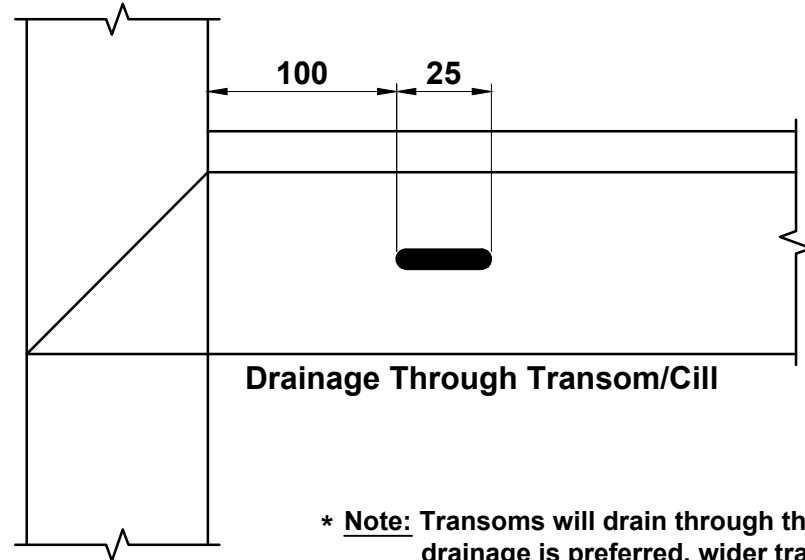
**Do Not Scale From This Drawing**

**Crimping Details**

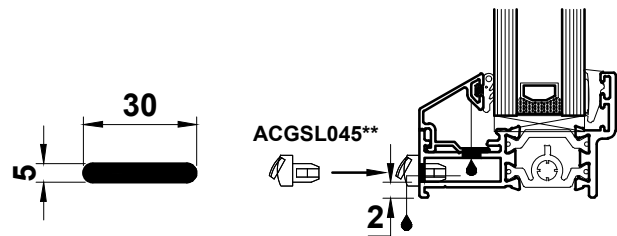
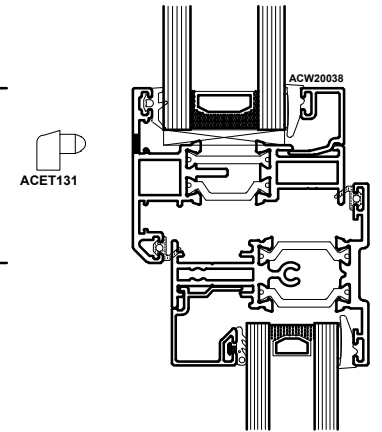
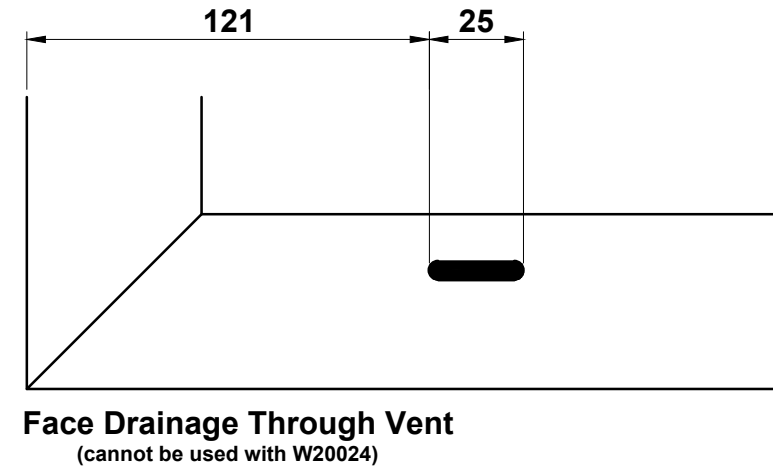
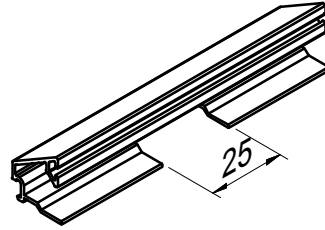


Do Not Scale From This Drawing

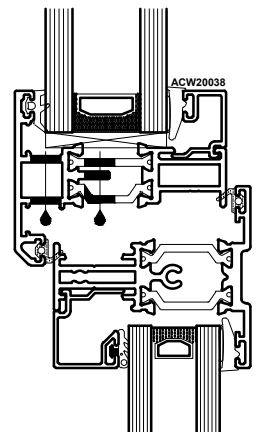
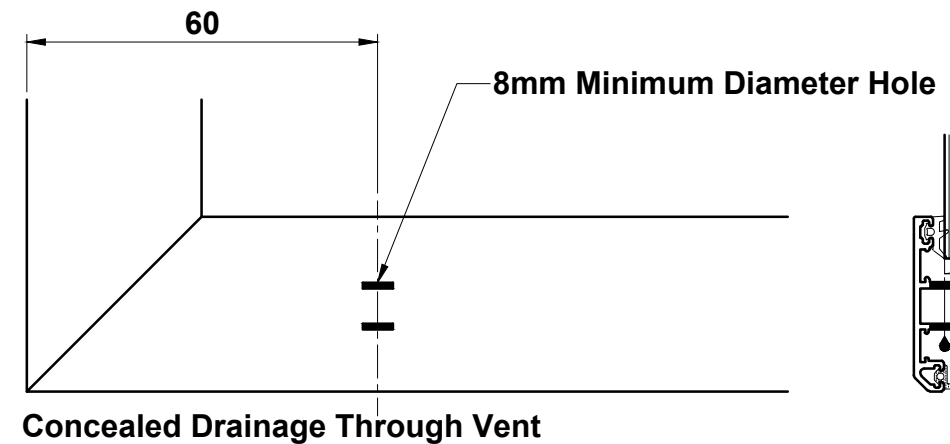
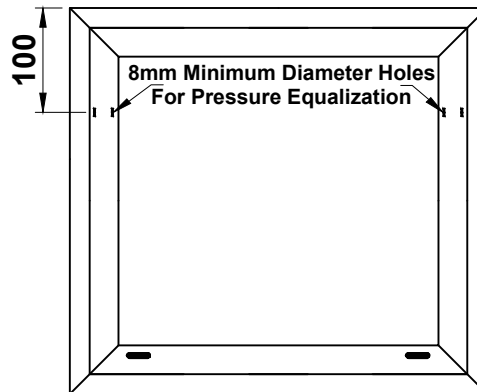
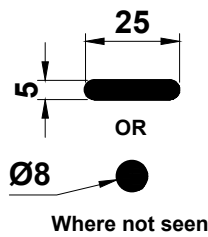
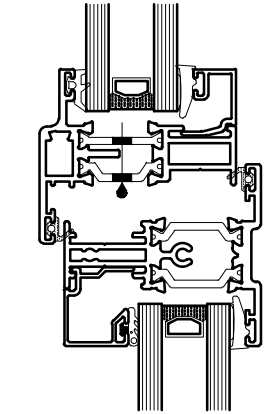
Window Drainage



\* **Note:** Transoms will drain through the join to the outerframe. If face drainage is preferred, wider transom W20034 must be used.



**Outerframe Without Cill**  
\*\*ACGSL045 must be used here as water drains through the front of the cap. ACGSL045 may also be used throughout the system.



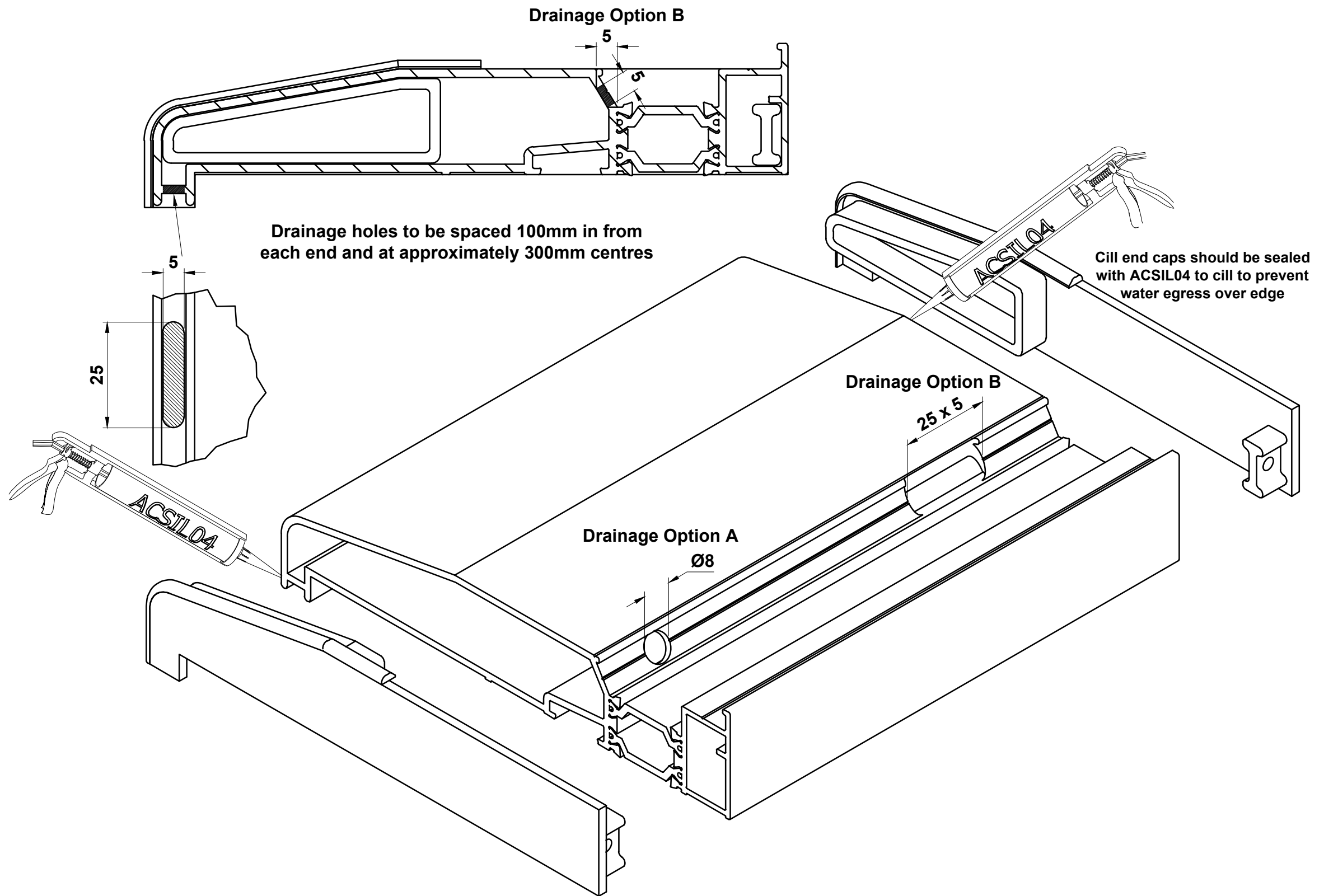
**Important Note:** All exposed aluminium should be coated using ACSIL014 or painted to match the frame.

Outerframe With Cill

Outerframe With Reverse Adaptor

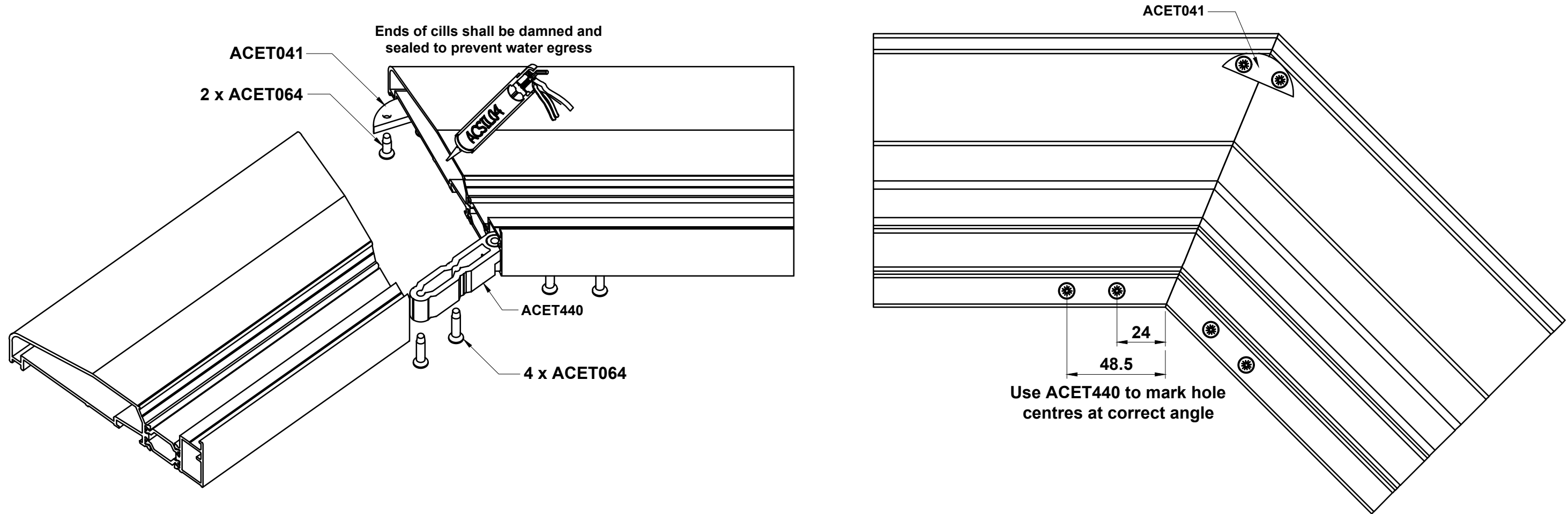
Do Not Scale From This Drawing

**Cill Drainage**



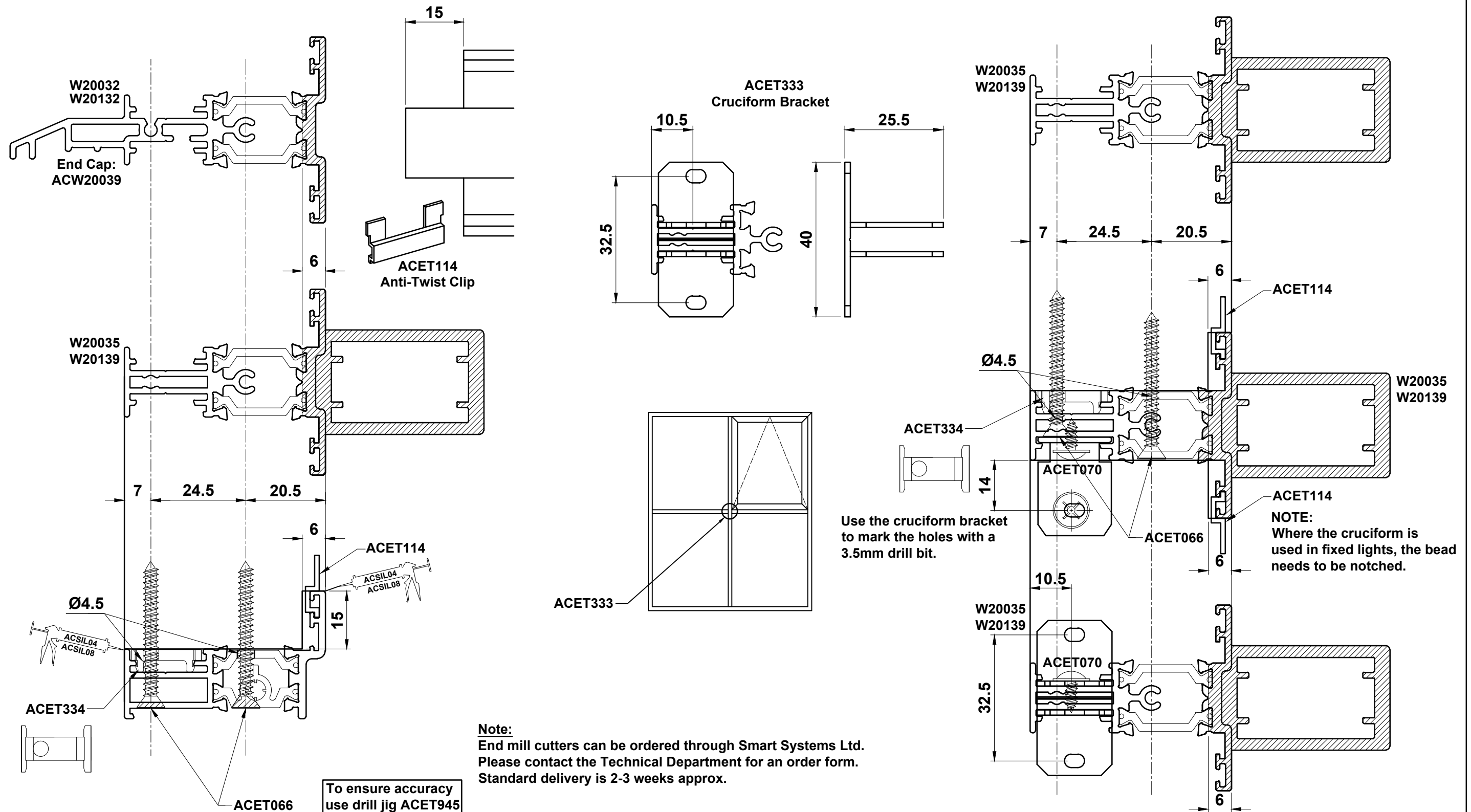
Do Not Scale From This Drawing

Angled Sub Cill



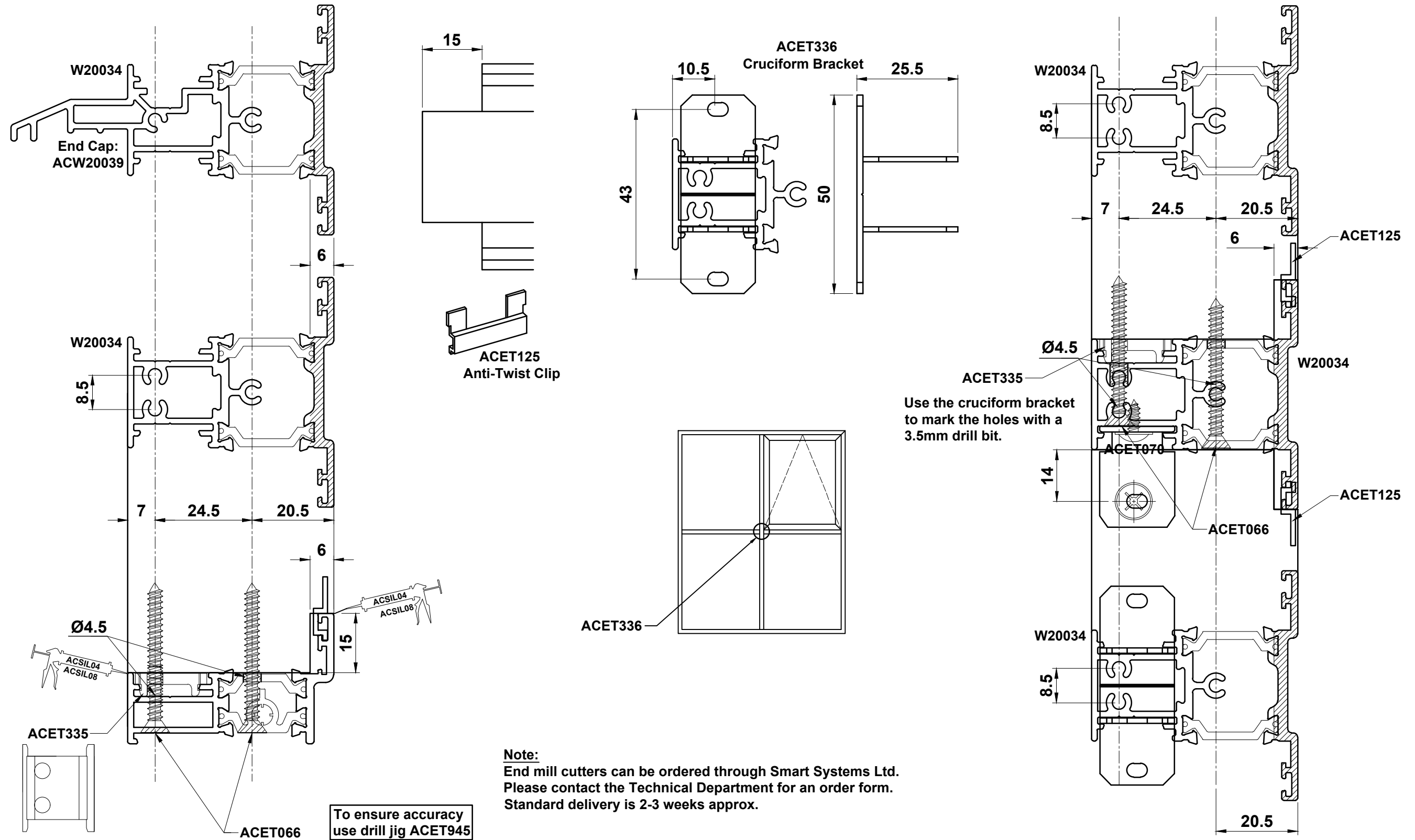
Do Not Scale From This Drawing

Mullion/Transom Detail



**Note:**  
End mill cutters can be ordered through Smart Systems Ltd.  
Please contact the Technical Department for an order form.  
Standard delivery is 2-3 weeks approx.

Mullion/Transom Detail

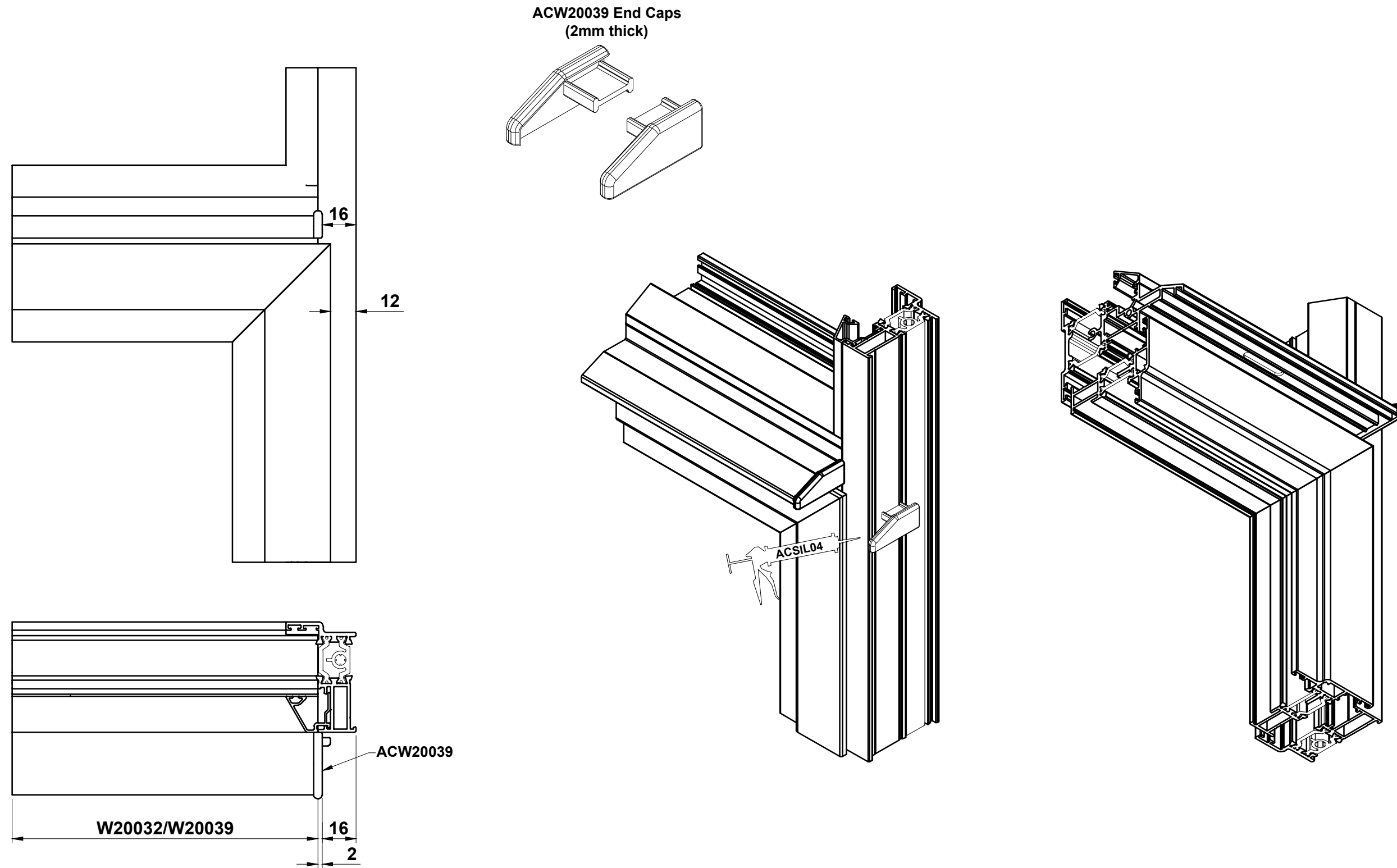


**Note:**  
End mill cutters can be ordered through Smart Systems Ltd.  
Please contact the Technical Department for an order form.  
Standard delivery is 2-3 weeks approx.

Do Not Scale From This Drawing

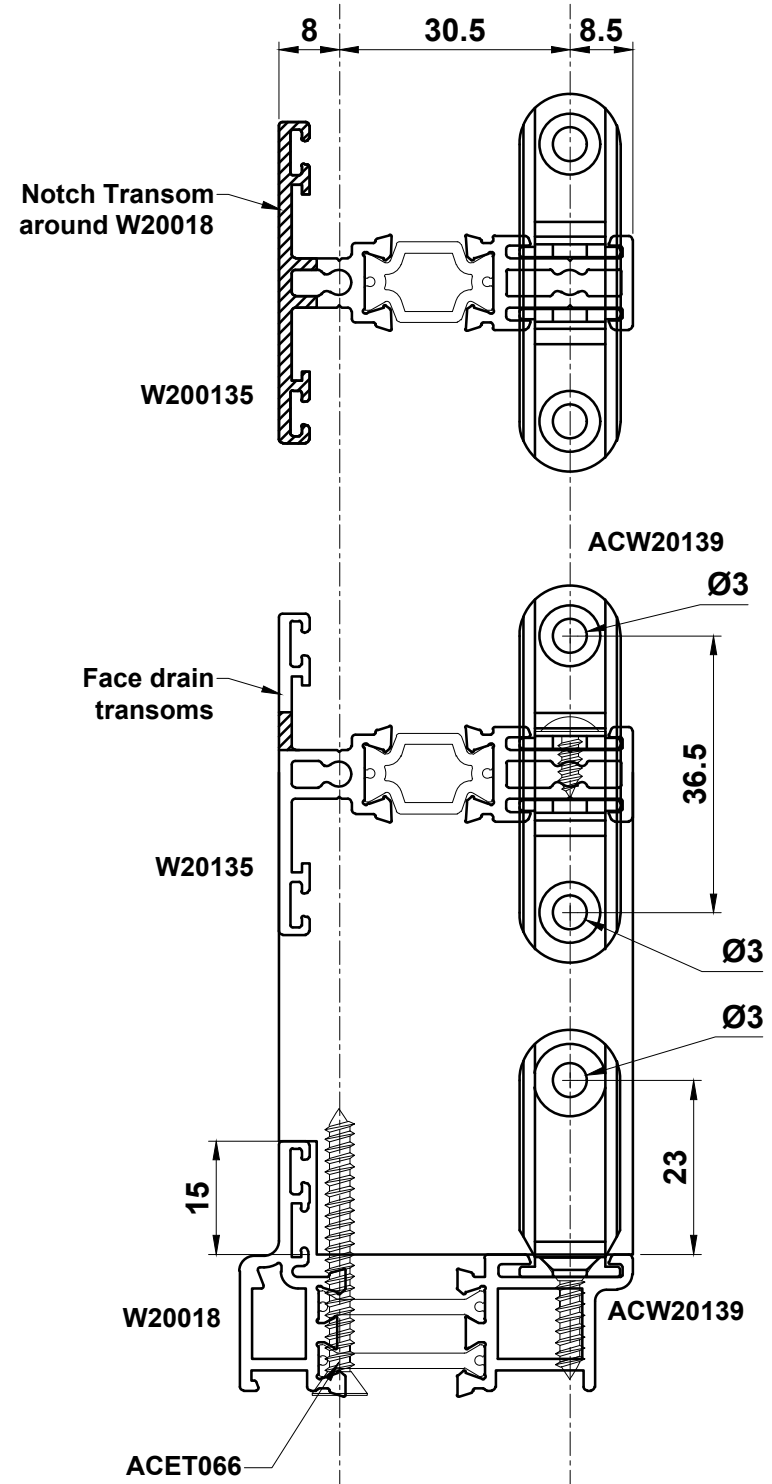
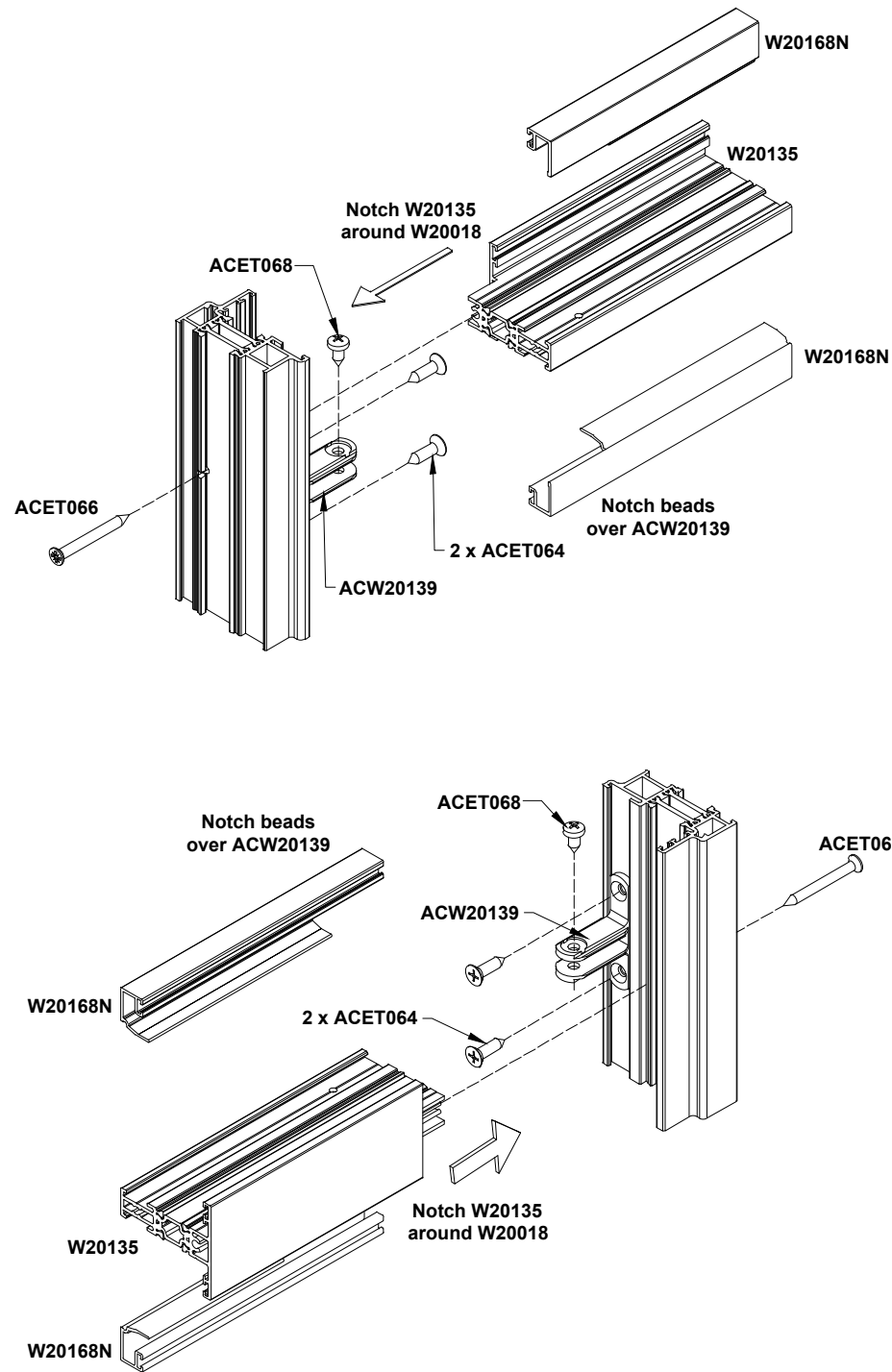


W20032, W20039 & W20132 Transom Detail

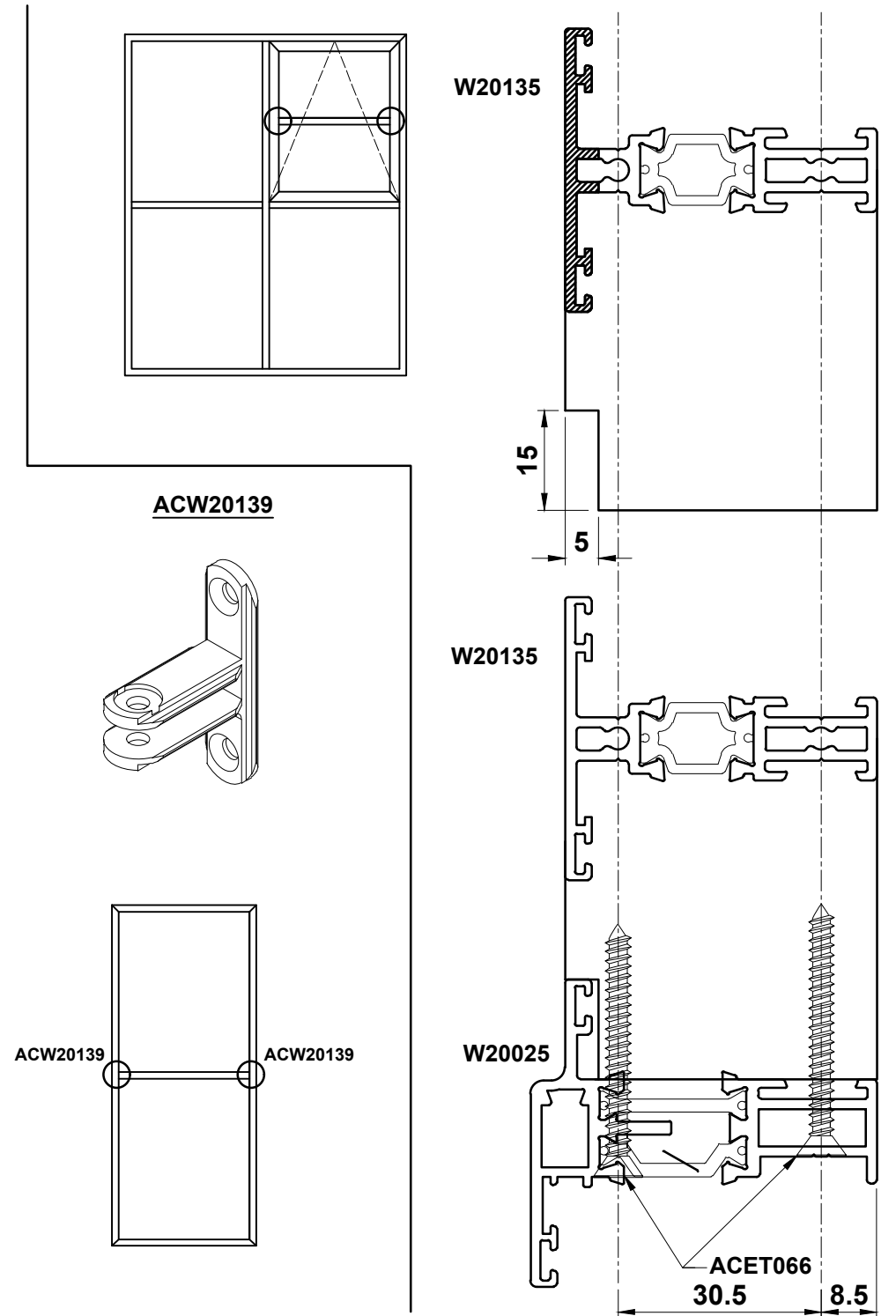


**W20135 Transom + Dummy Transom Detail**

**W20018 with W20135 Transom**



**W20025 with W20135 Dummy Transom**



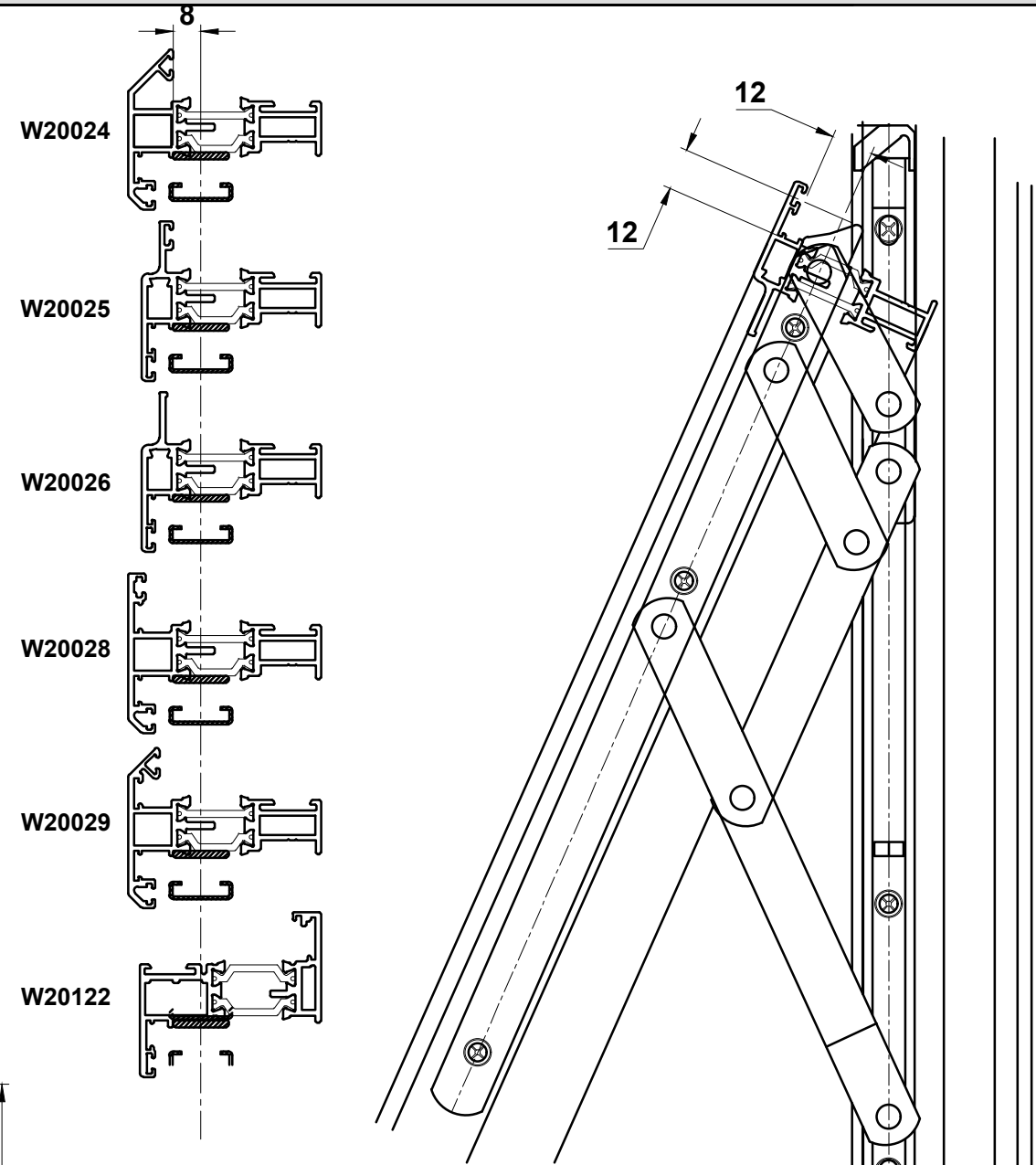
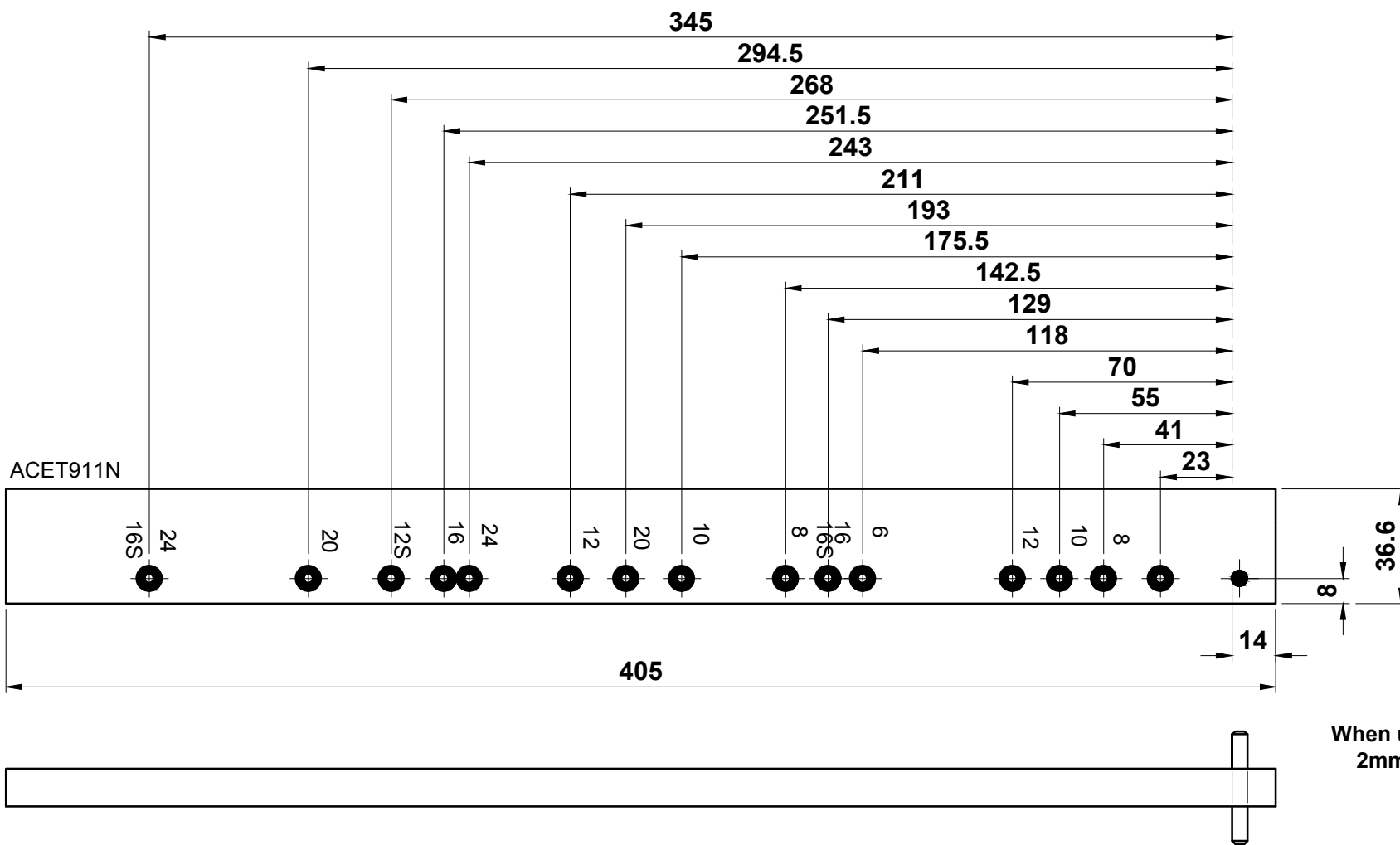
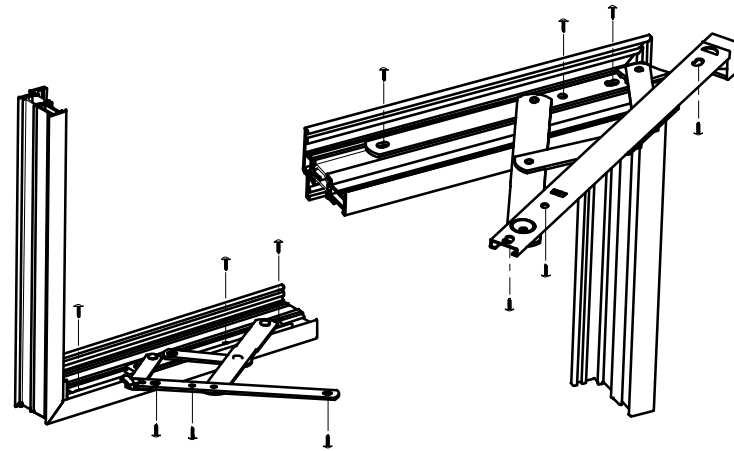
Do Not Scale From This Drawing

**Friction Stay Details**

To ensure accuracy use drill jig ACET911N.  
Numbers indicate stay length in inches, numbers followed by an 'S' are used for side hung stays.



ACET070 = Recommended Screw



**Vent Sizes 450mm or Smaller to be Reduced by 2mm**

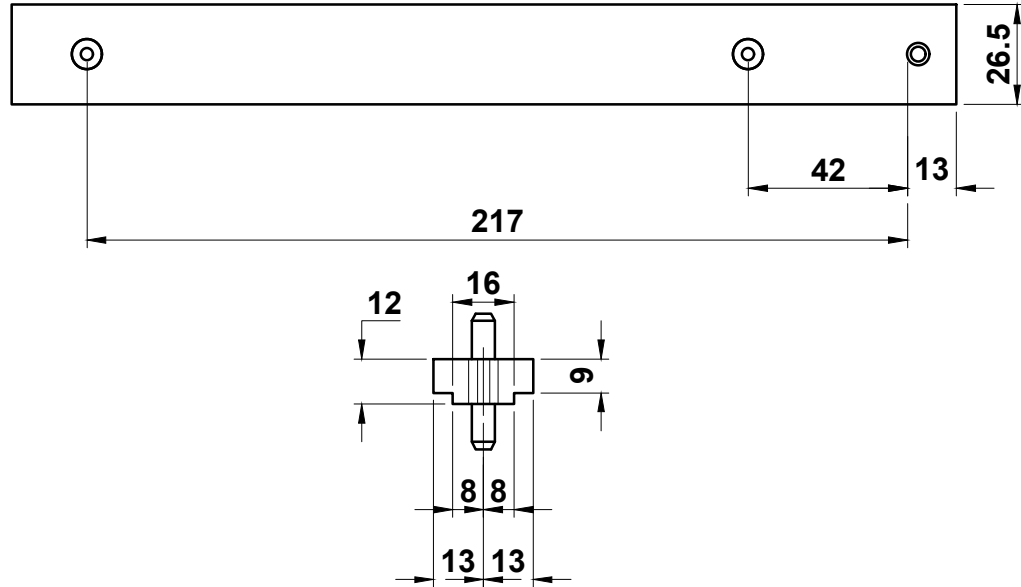
**Important Note:**

When using ACW20060 as a window hinge with the ACW201-205 reverse espagnolette locks, a further 2mm must be deducted from the sash locking edge for sashes under 600mm OR 1mm for sashes between 601-700mm.

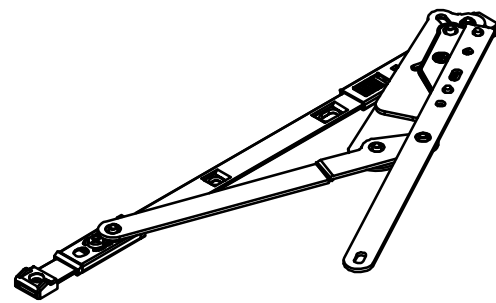
If in doubt, contact our technical department for further information - Tel: 01934 876 100  
For ACINDP24 use first hole in drill jig only.

**Egress Friction Stay Details**

**ACETME13**  
13mm Stack Egress Hinge  
Jig = ACETME93



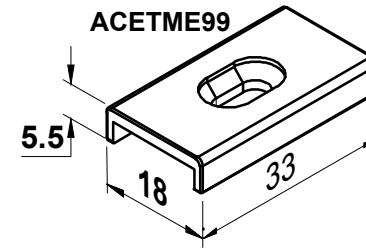
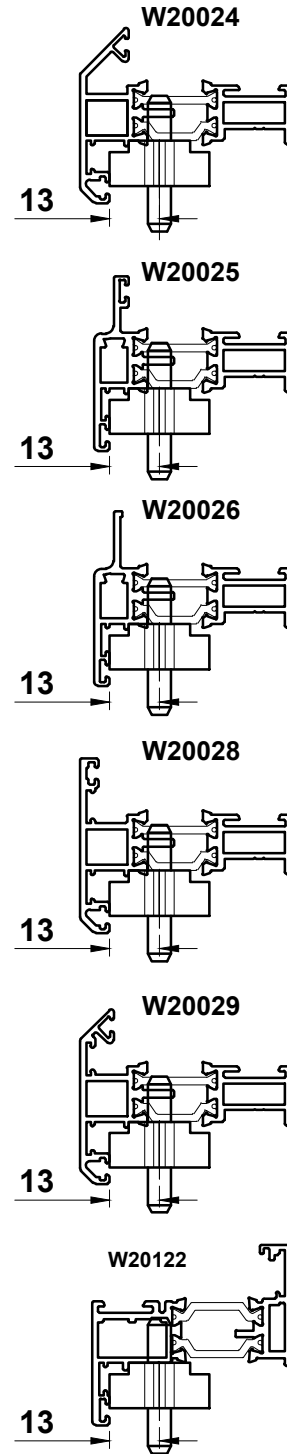
**Vent Sizes 450mm or Smaller to be Reduced by 2mm**



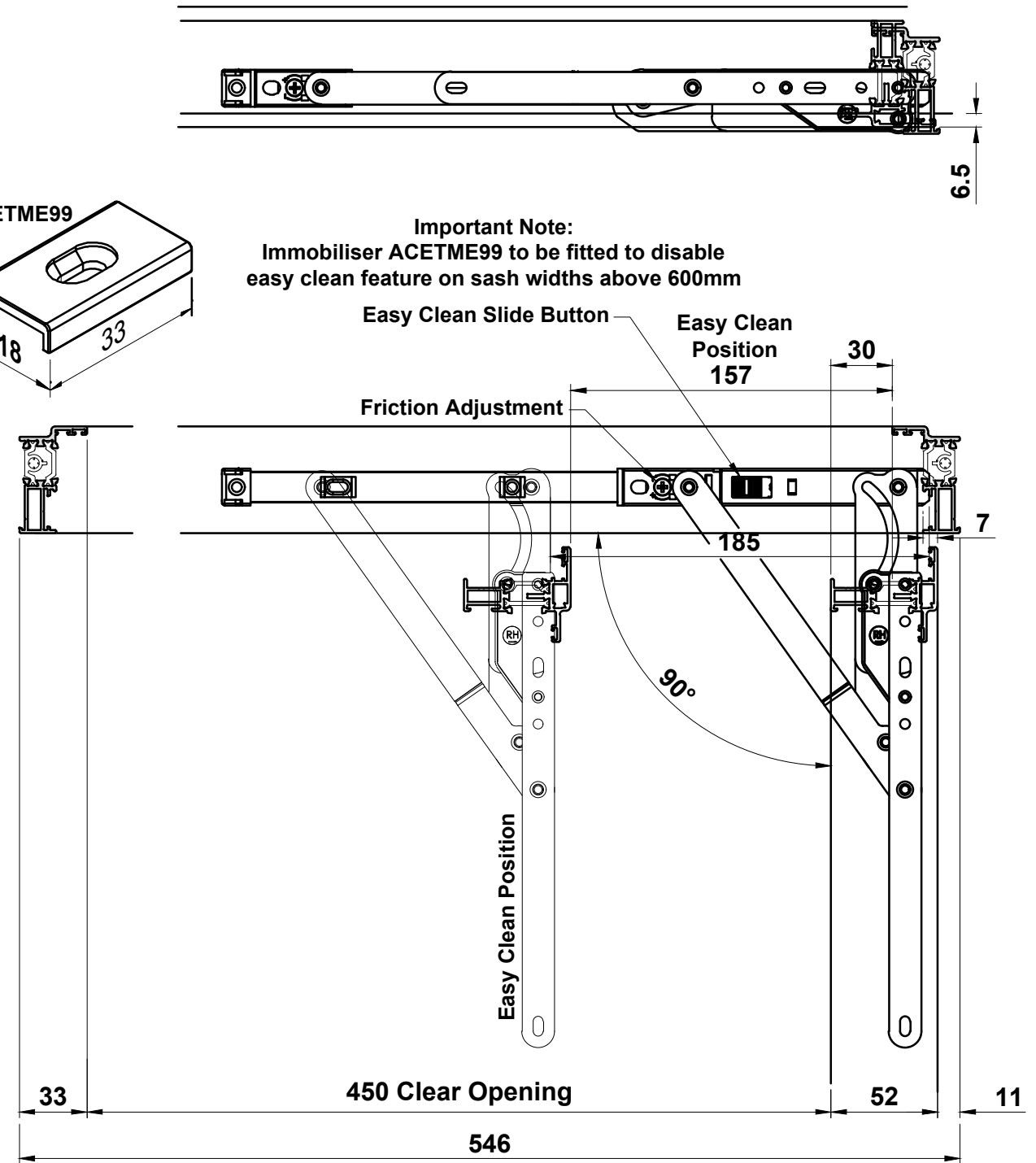
 **ACET070 = Recommended Screw for Sash**

 **ACET067 = Recommended Screw for Outer Frame**

Please use ACET394 underneath outer frame friction stays.



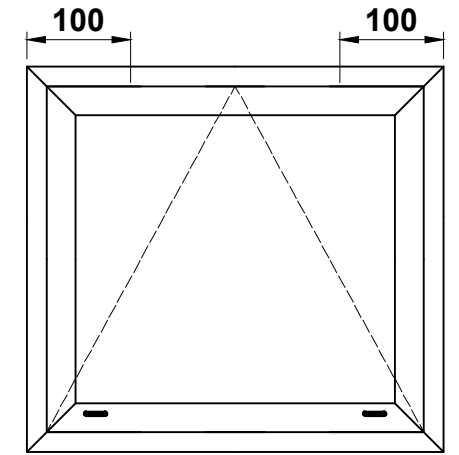
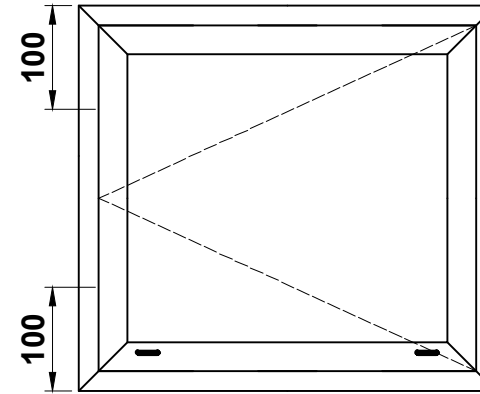
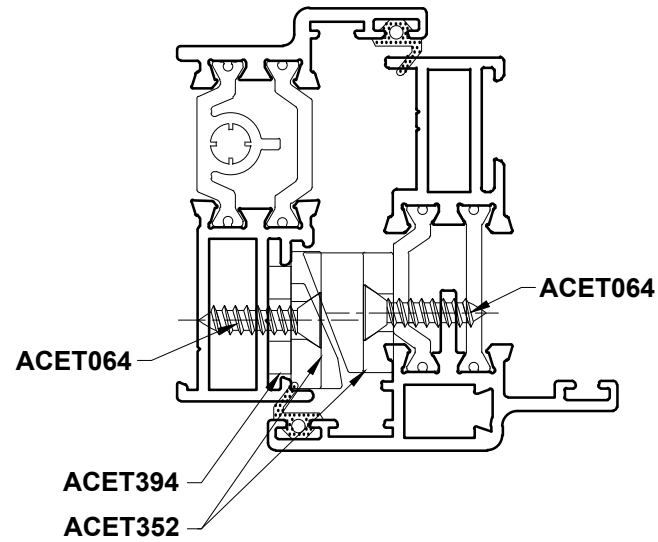
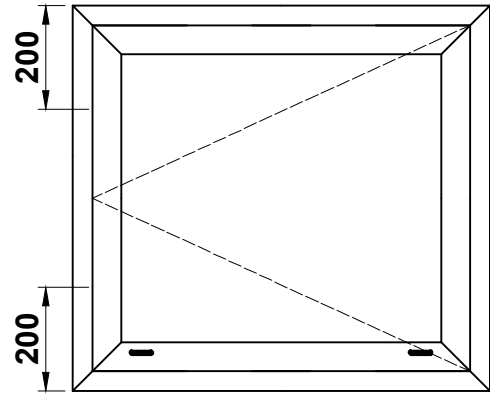
**Important Note:**  
Immobiliser ACETME99 to be fitted to disable easy clean feature on sash widths above 600mm



For further information regarding clear openings, please see the Smart Systems' White Paper Document B

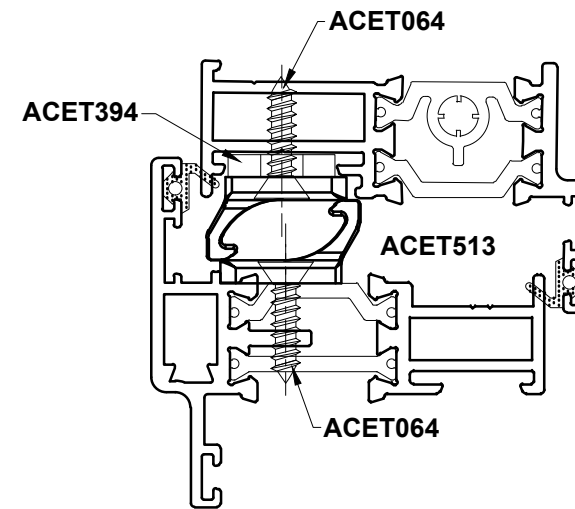
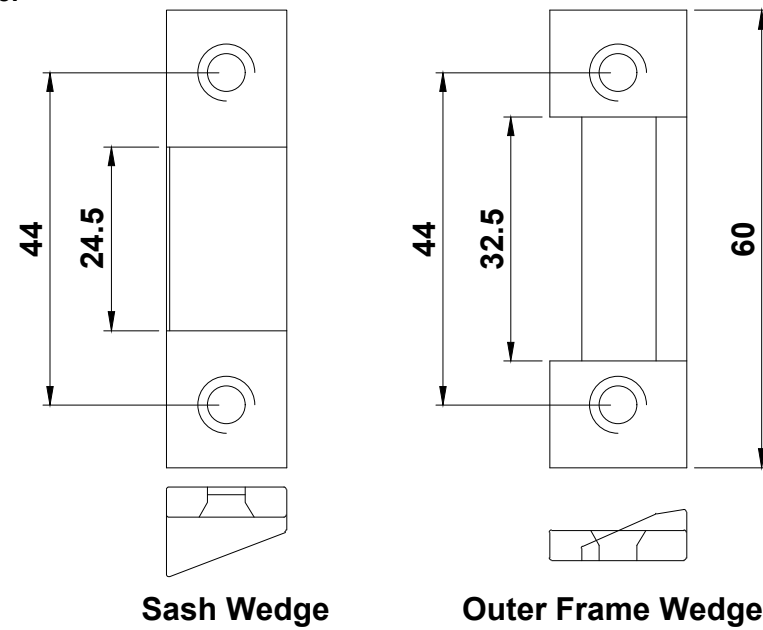
**Do Not Scale From This Drawing**

Friction Stay Accessories



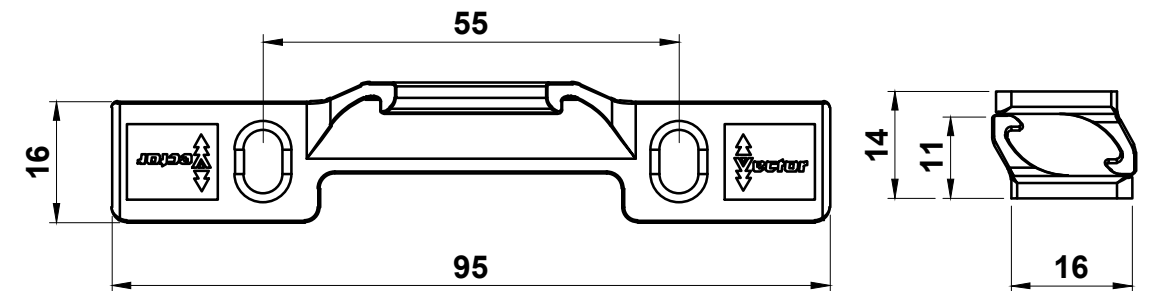
**Please Note:**

- 2 pairs per opening vent to be fitted to hinged side of window
- Each pair must be fitted with the wedge centre within 100mm of each hinge and in the centre of the window when sash height is greater than 800mm.



**Please Note:**

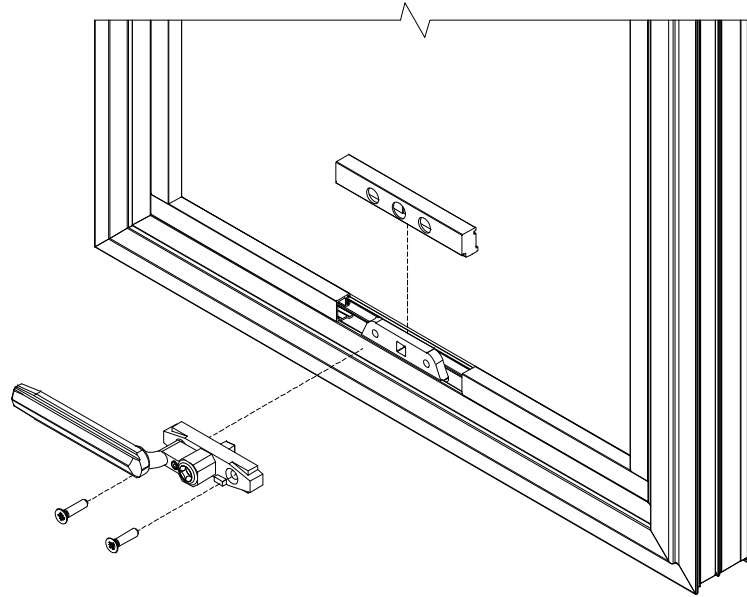
- 2 pairs per opening vent to be fitted to hinged side of window
- Each pair must be fitted with the hook centre within 100mm of each hinge



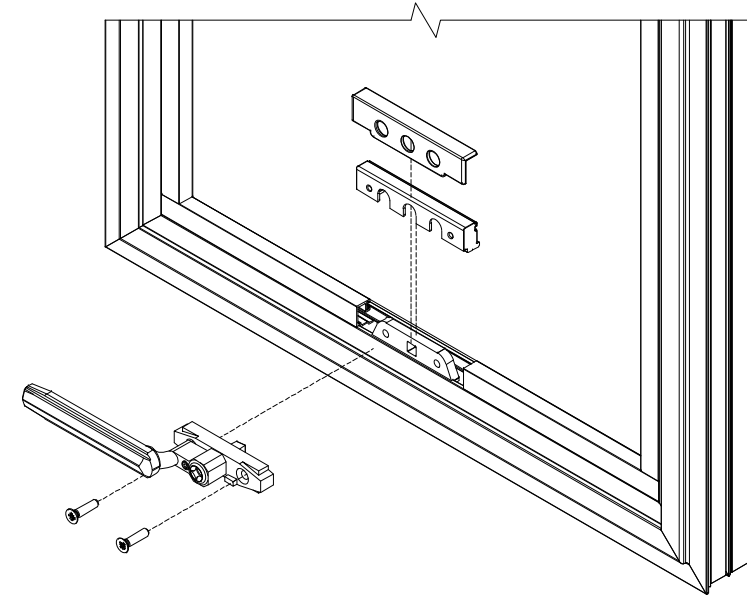
Do Not Scale From This Drawing

Handle Block Fitting

**ACW20028/029**



**ACW20228/229**



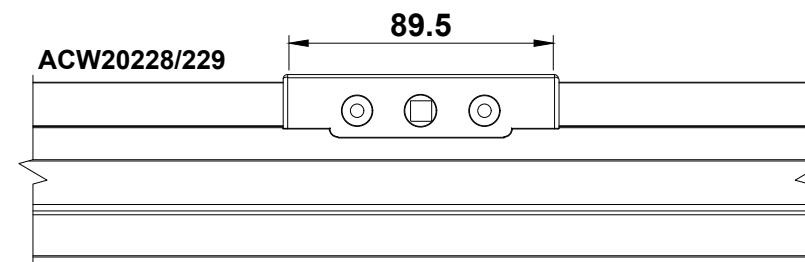
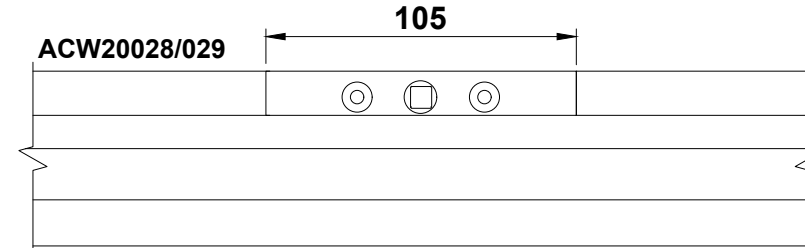
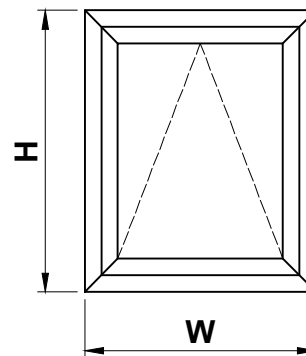
**Important Information:**

- When using ACW20060 as a window hinge with the ACW201-205 reverse espagnolette locks, a further 2mm must be deducted from the sash locking edge for sashes under 600mm OR 1mm for sashes between 601-700mm.
- ACW20228 & ACW20229 Provides a feature for fitting the handle in the bead line by raising the fitting platform and overlapping the bead join.
- Handle blocks required with beads W20168 & W20171.
- For handles ACW20100 and ACW20101 please drill central hole of handle block out to Ø12mm. Please note that these handles are hand made and dimensions may vary slightly.
- The bead must be fitted prior to cover component of ACW20228 & ACW20229.

If in doubt, contact our technical department for further information - Tel: 01934 876 100

**Espag Handle Options**

ACET165
ACSM002
ACW20165
ACW20100
ACW20101
ACSM010SS*

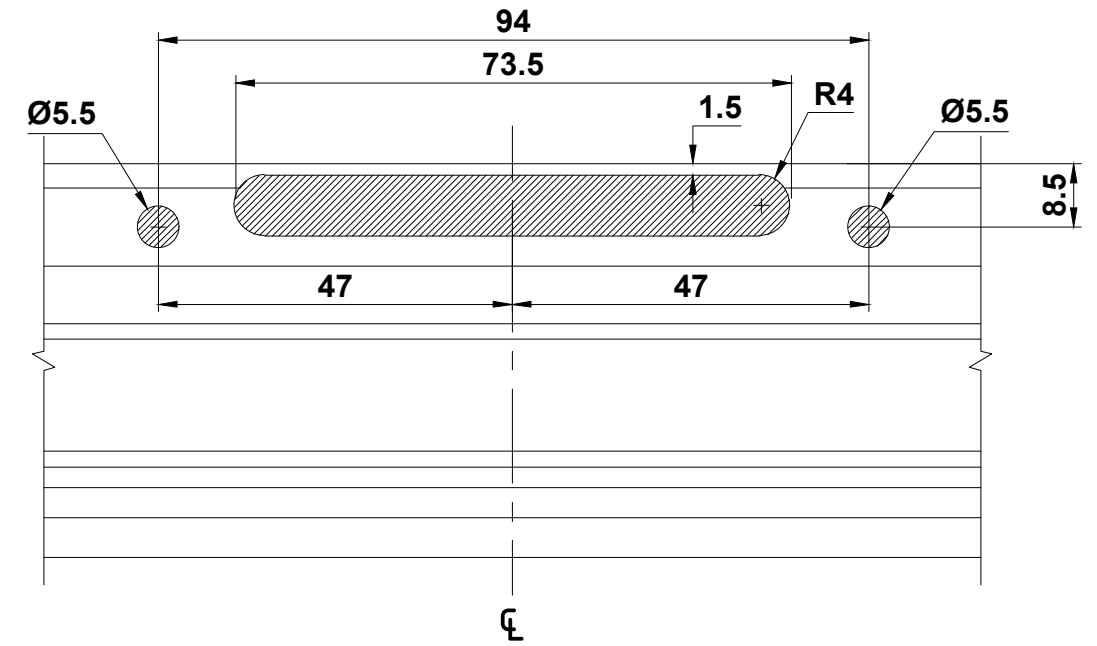
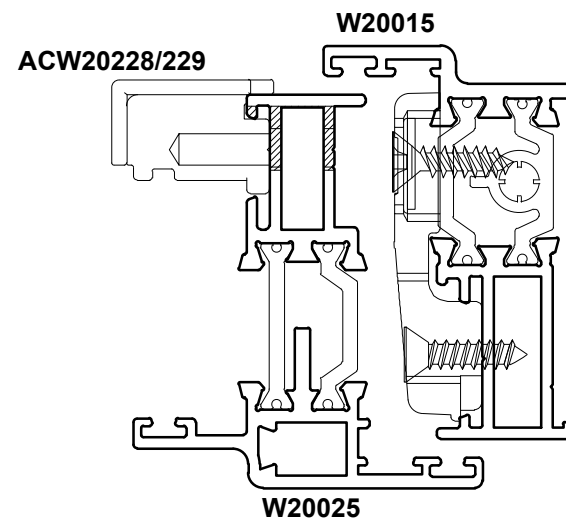
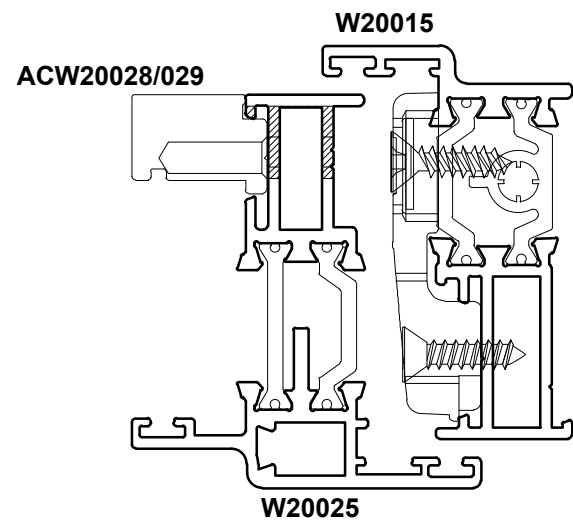


\*ACSM010SS should only be used with ACW128/129 & ACW20228/229

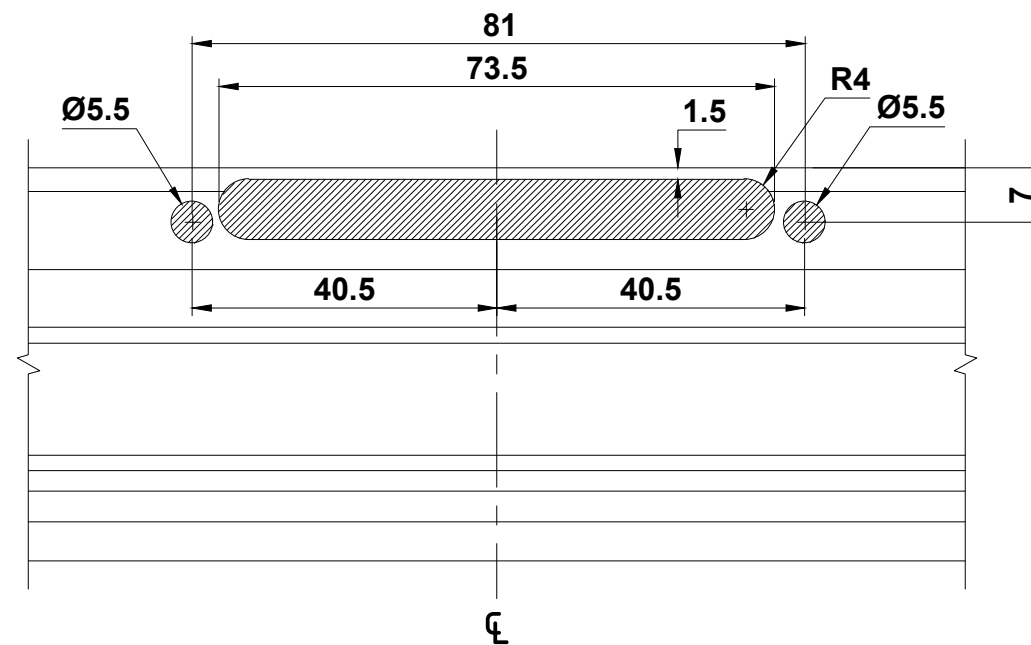
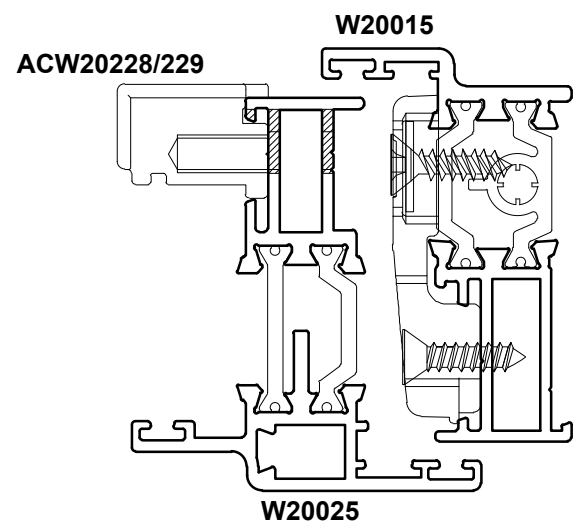
Do Not Scale From This Drawing

Handle Block and Espagnolette Prep

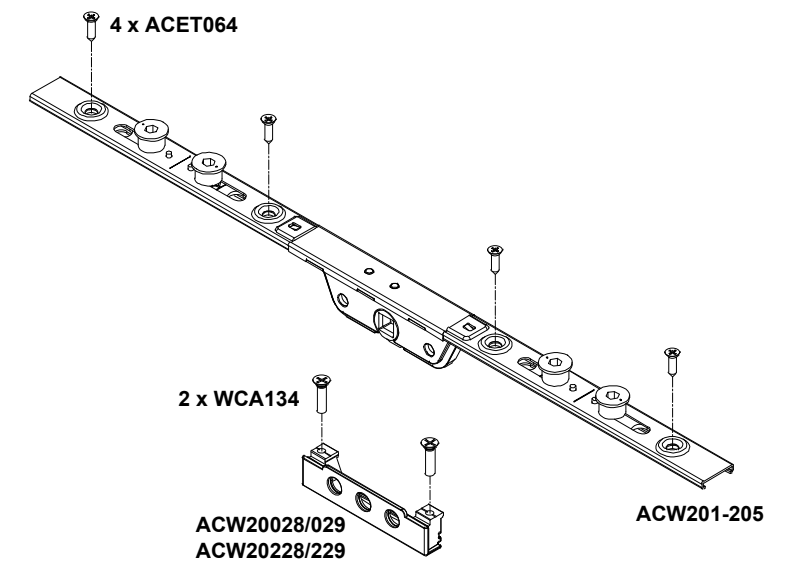
Sash Preparation for ACW201-205 Espag and ACW20028/029



Sash Preparation for ACW201-205 Espag and ACW20228/229

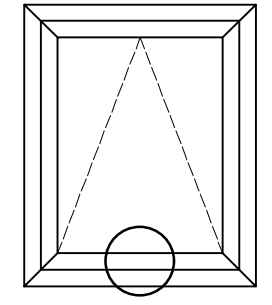
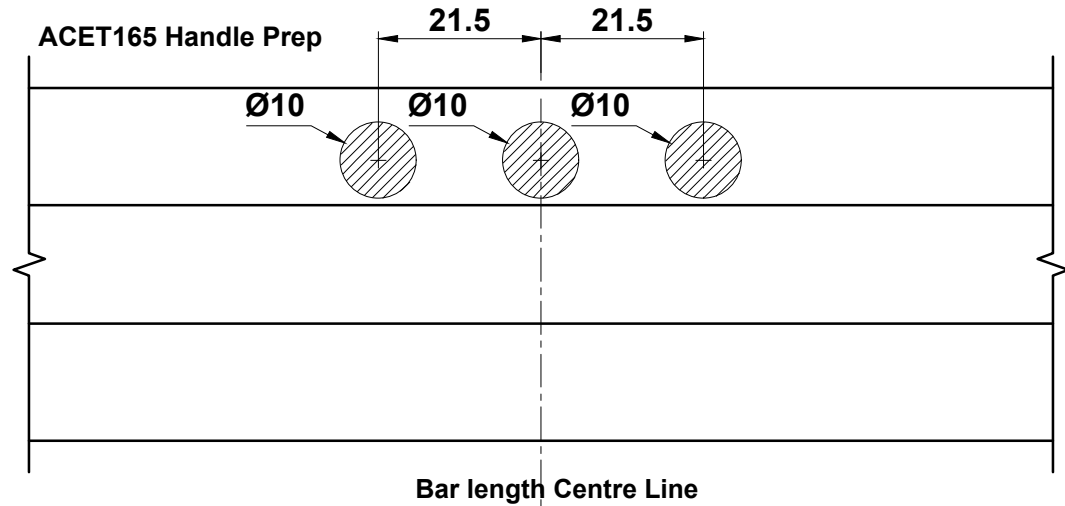
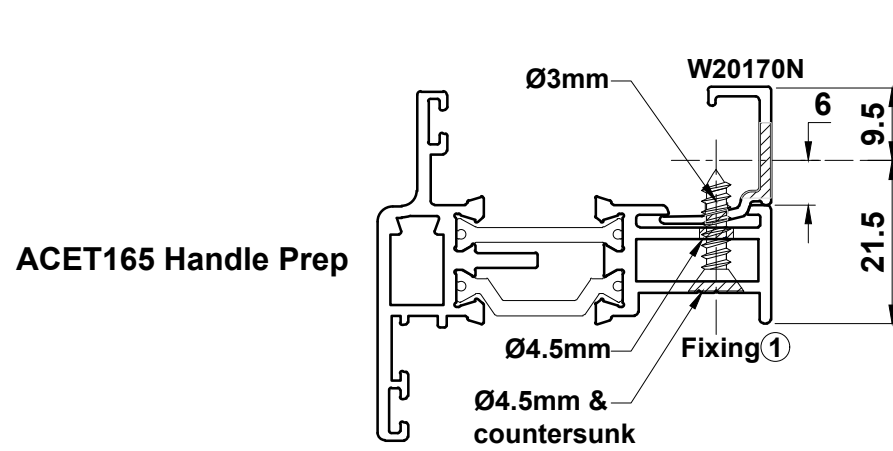


ACW201-205 Espag Fitting Guide



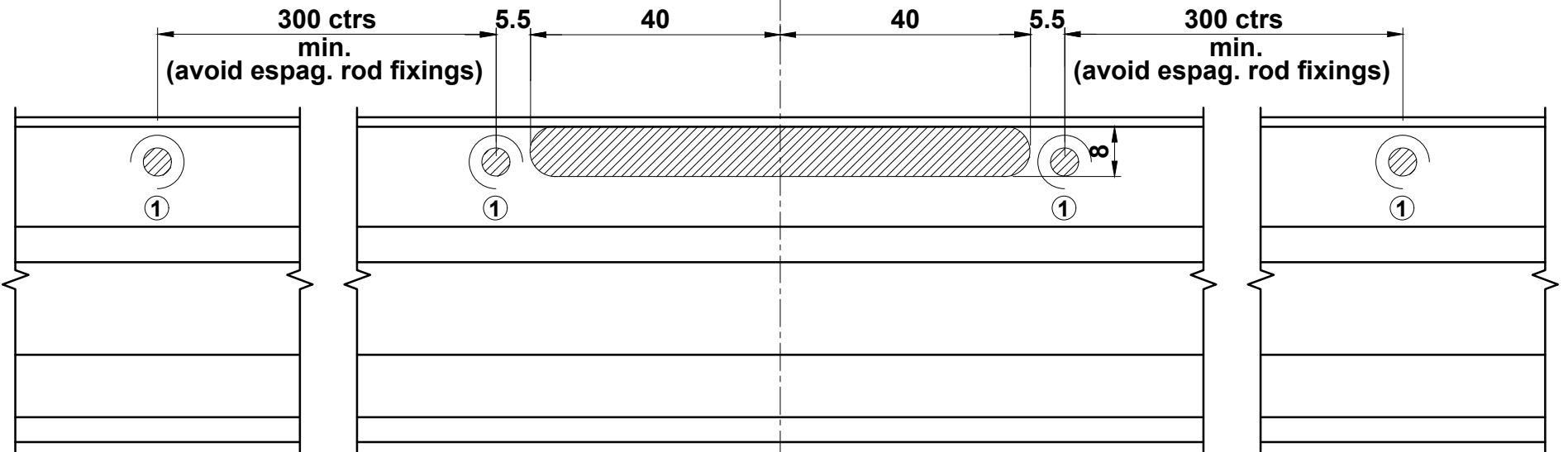
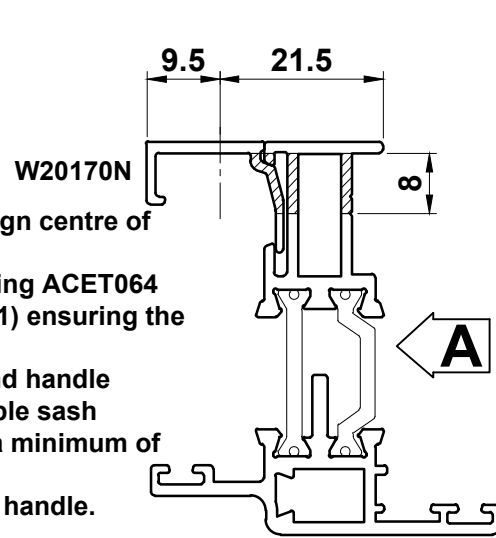
Do Not Scale From This Drawing

**Espag Locking Details with ACET165, ACW20100 Monkey Tail & ACW20101 Bulb End Handles**



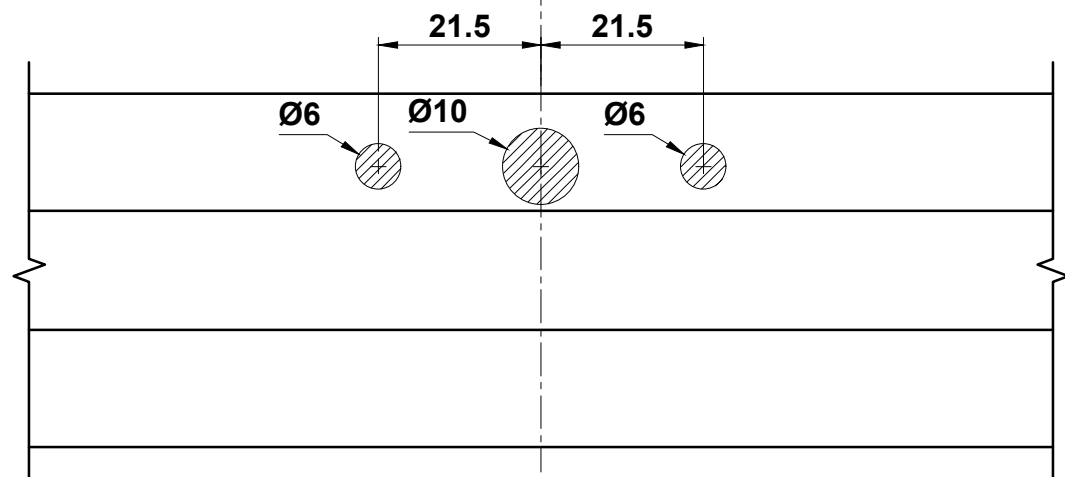
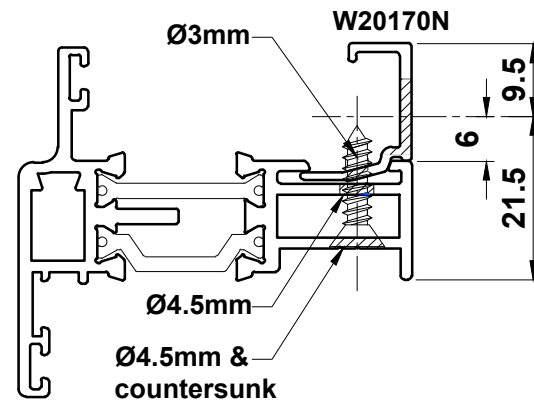
**Steps:**

1. Cut bead to length and align centre of bead with centre of sash
2. Secure bead into sash using ACET064 screws as shown (Fixing 1) ensuring the bead cannot move
3. Route and drill for lock and handle
4. Remove bead and assemble sash
5. Refit bead and secure at a minimum of 300mm centres
6. Fit espag locking rod and handle.



View on arrow - A

**ACW20100 Monkey Tail & ACW20101 Bulb End Handle Prep**



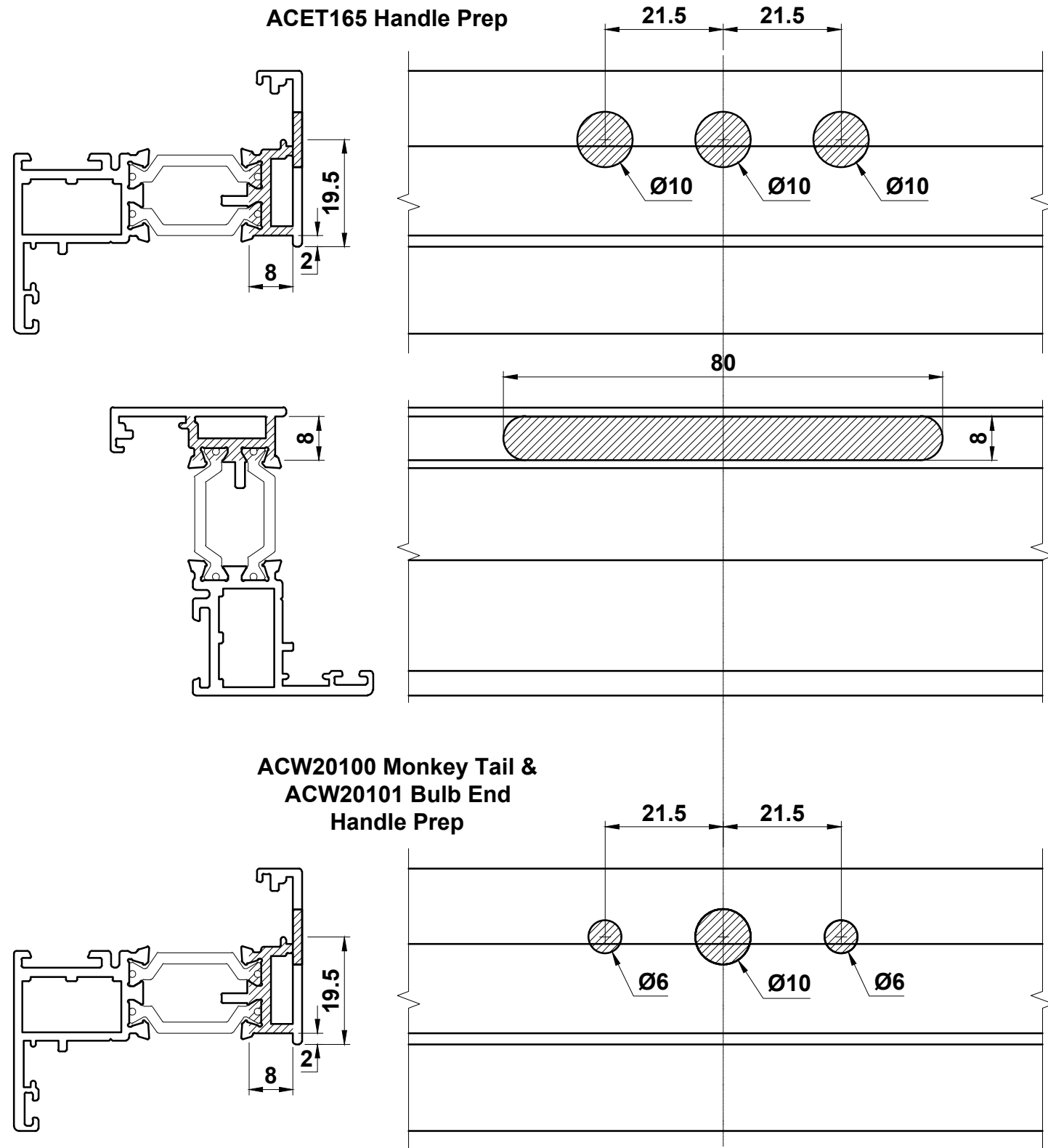
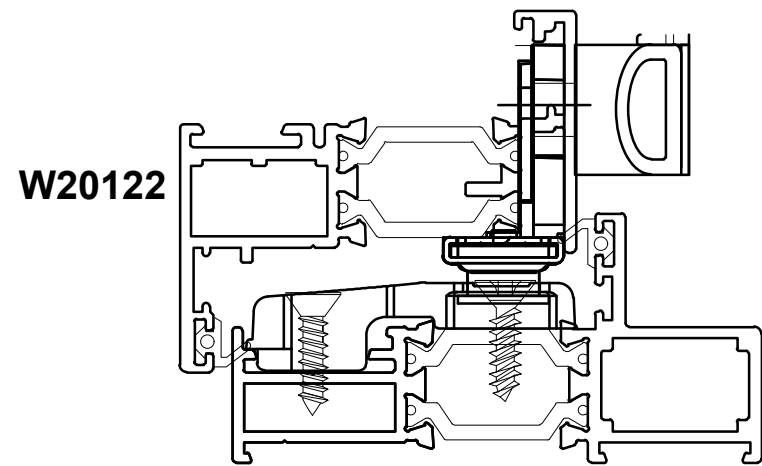
**Do Not Scale From This Drawing**



**W20122 Espag Locking Details**

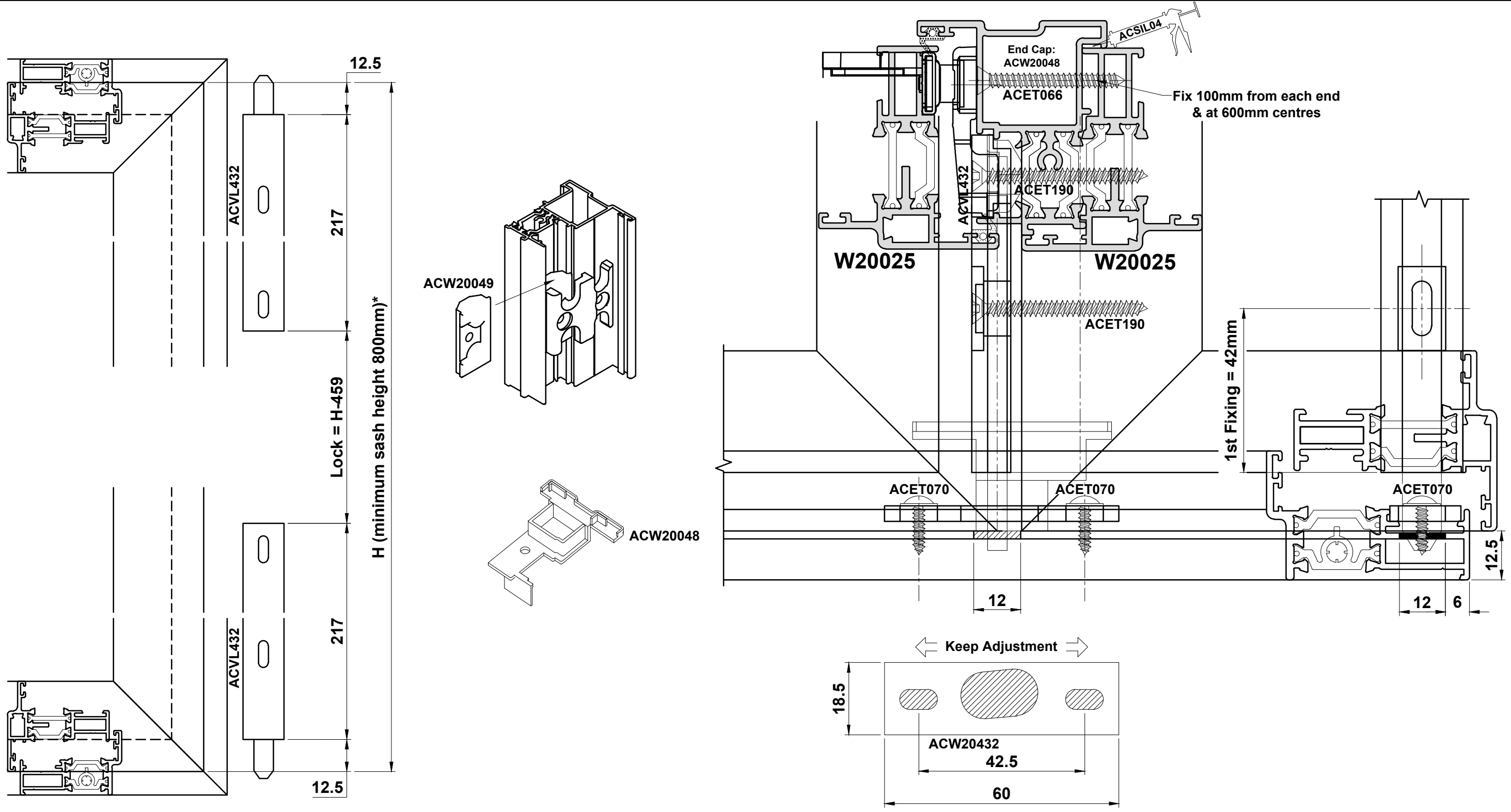
Part Code	Rod Length (mm)	Number of Keeps	Sash Rebate Size ('A')	
			Minimum	Maximum
ACET301L	335	2	340	505
ACET301R				
ACET302L	500	2	506	755
ACET302R				
ACET303L	750	2	756	1005
ACET303R				
ACET304L	1000	4	1006	1255
ACET304R				
ACET305L	1250	4	1256	1400
ACET305R				

Note: 1) To suit handle ACET165  
2) The reverse espags shown above are taken from Alitherm 300



Do Not Scale From This Drawing

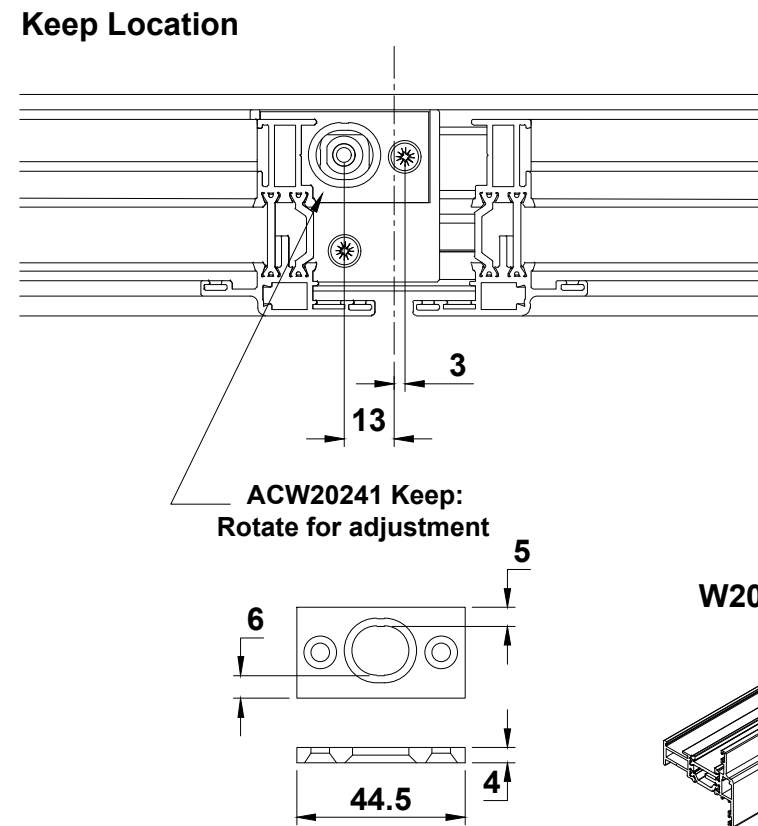
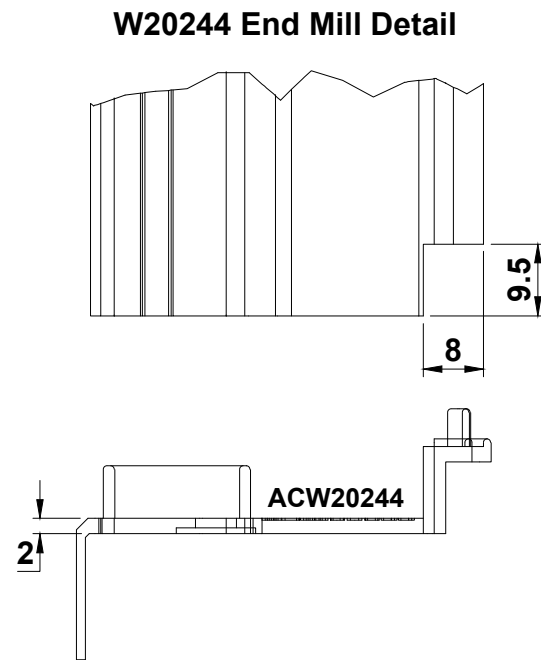
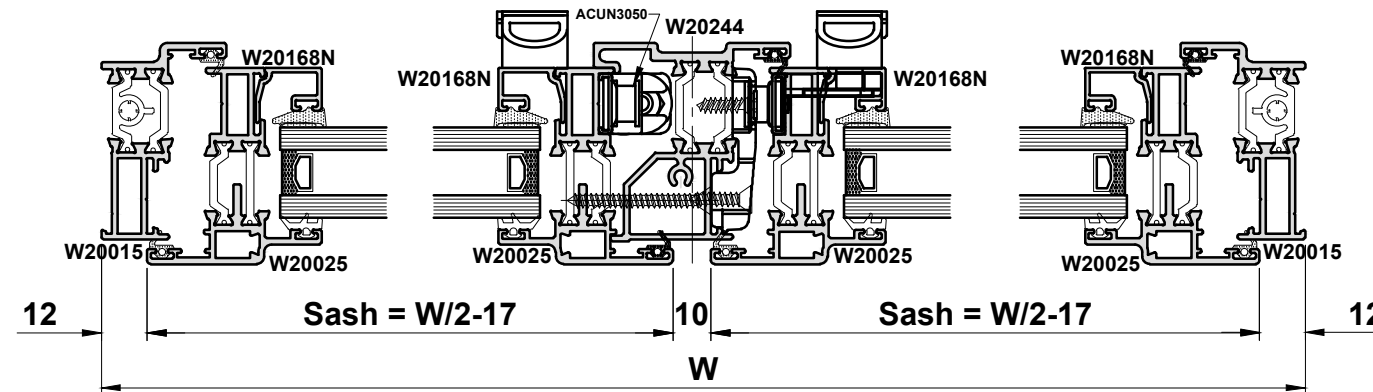
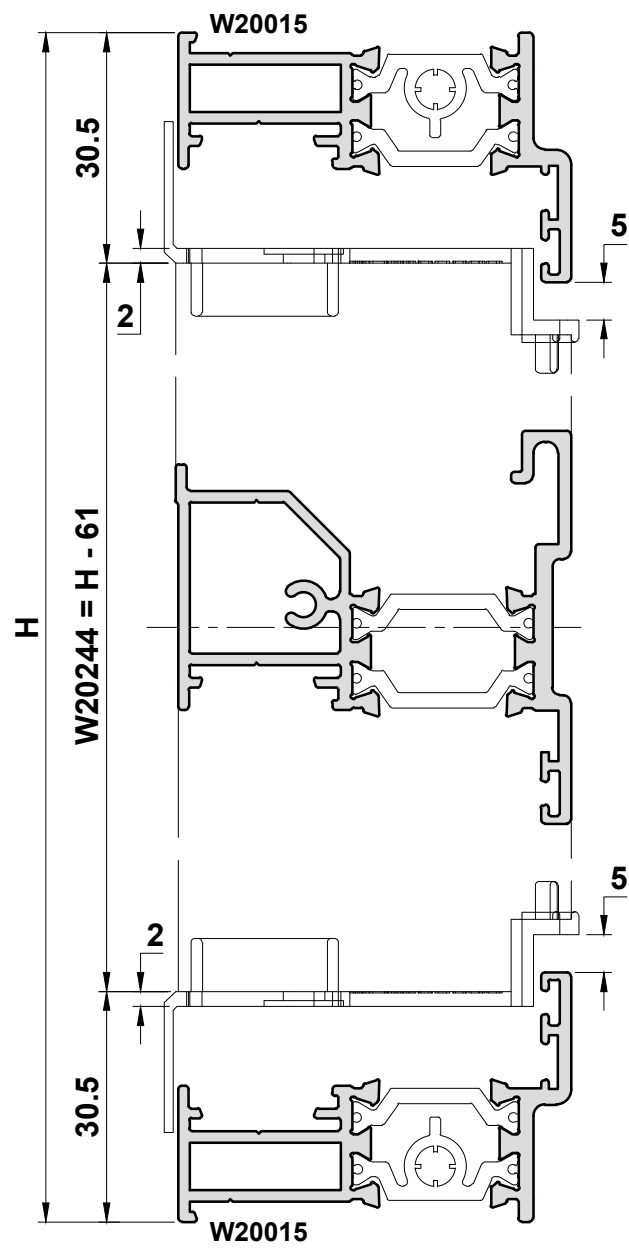
**W20048 French Casement Assembly**



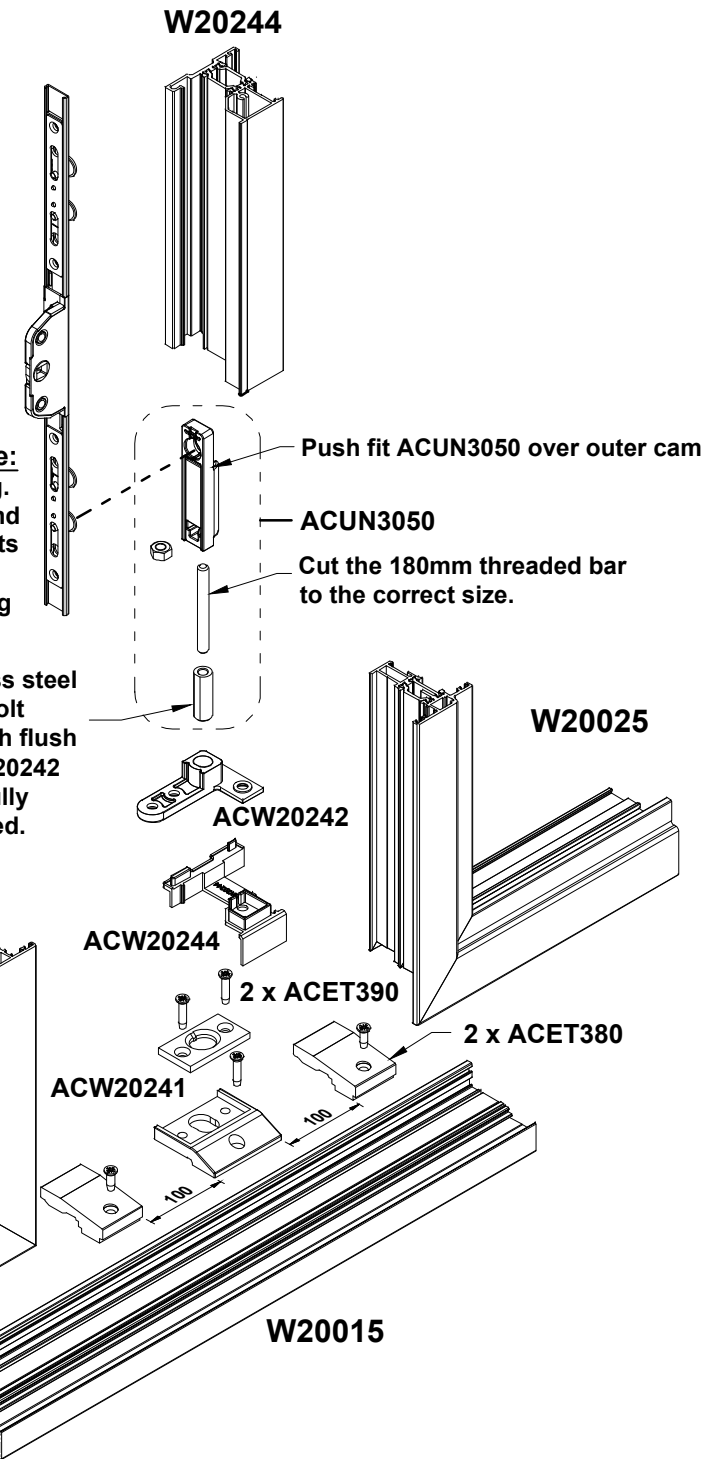
\*Minimum sash height is based on using 335mm locking rod.

Do Not Scale From This Drawing

**W20244 French Casement Assembly**

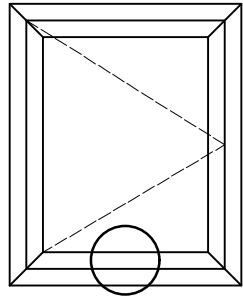


**Important Note:**  
Reverse Espag.  
Fit opposite hand  
so locking points  
move inwards  
when unlocking



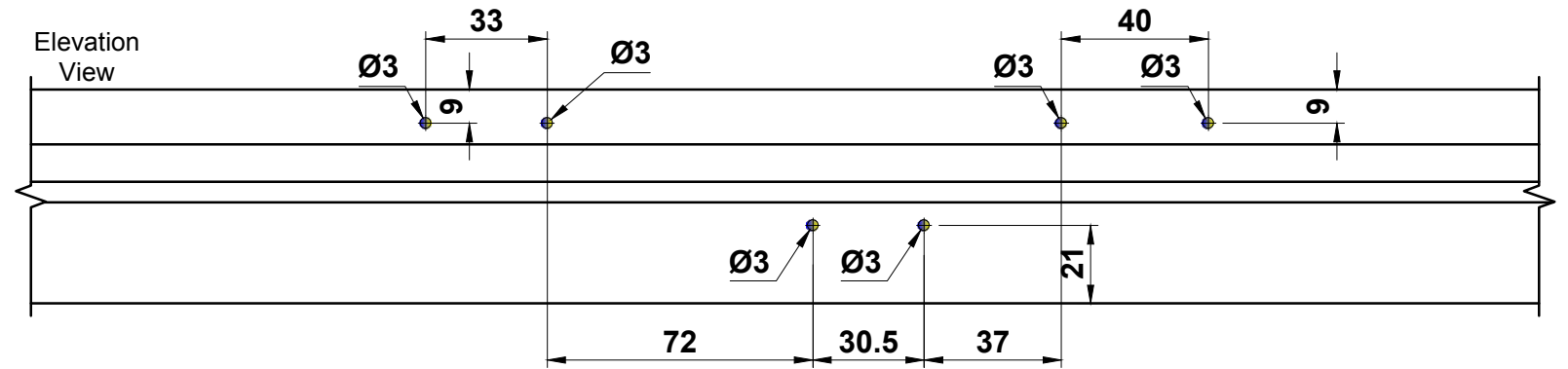
Do Not Scale From This Drawing

**Peg Stay Fixing Details**



**TOP HUNG WITH PEG STAY HAS NOT BE TESTED AS ADDITIONAL HANDLE CAN NOT BE FITTED**

**Typical layout for 10" peg stay**

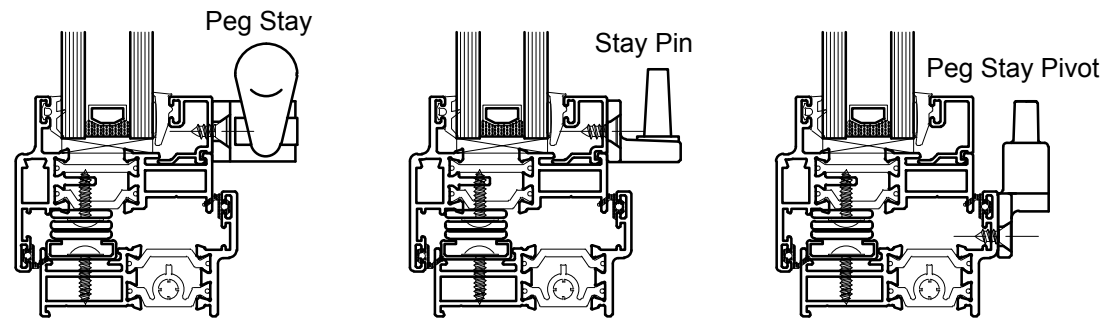
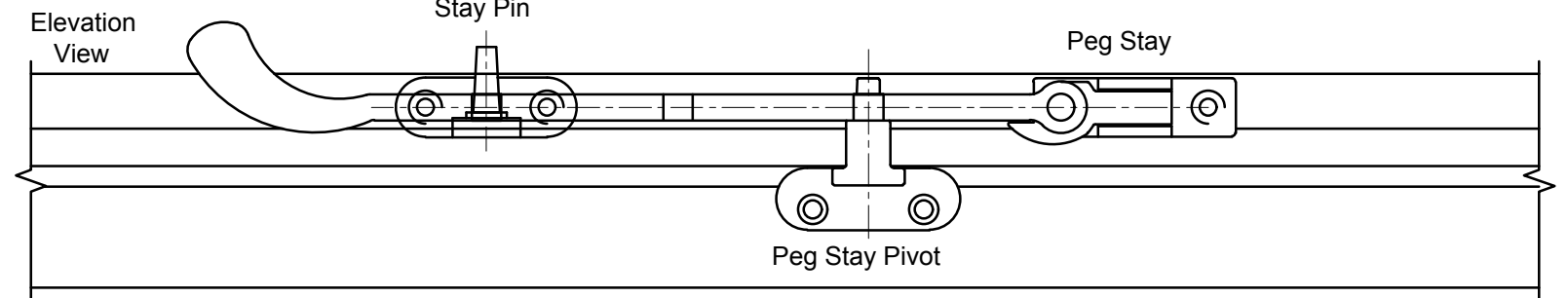
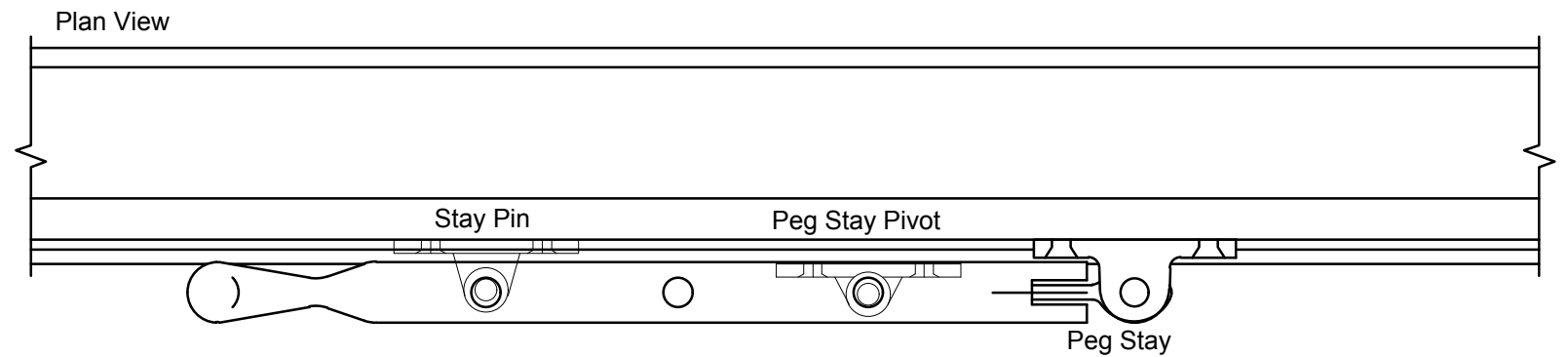


**Please use the above dimensions for guidance only. As each peg stay is hand made, the dimensions will vary slightly.**



Monkey Tail Peg Stay

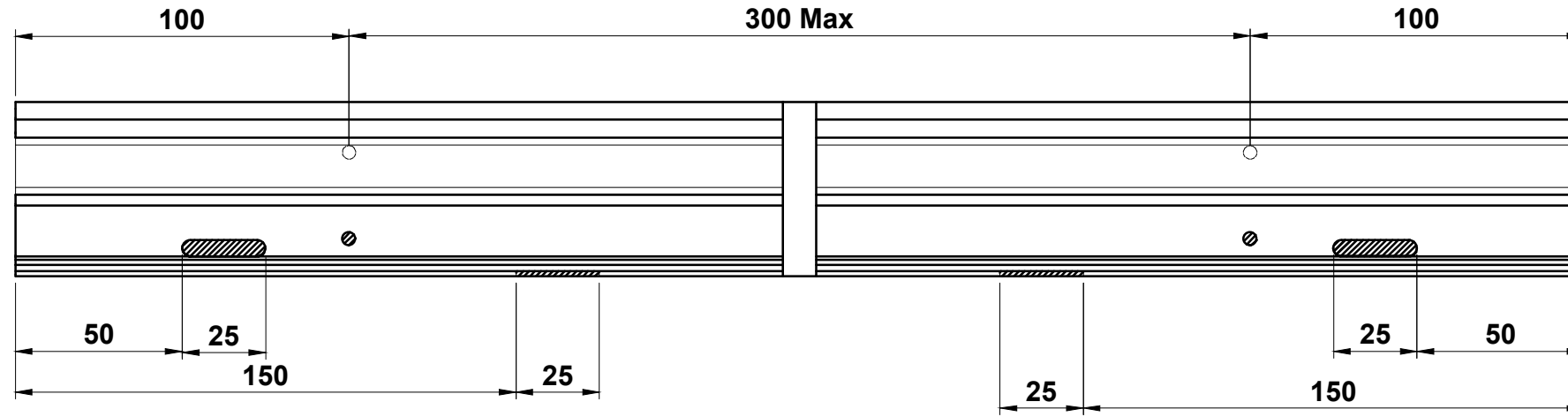
Bulb End Peg Stay



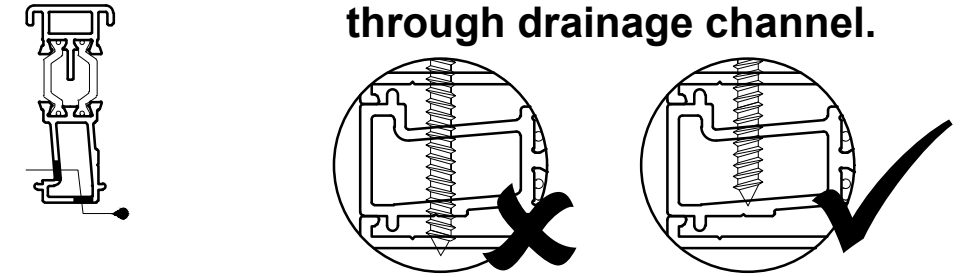
**PEG STAY CANNOT BE INSTALLED ON OUTER FRAME W20017 AND W20112**

**Do Not Scale From This Drawing**

**W20492 Horizontal Coupler Detail**

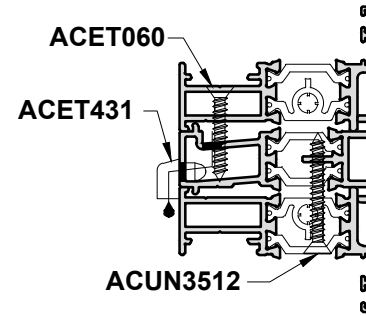


**Important Note: Do not screw through drainage channel.**

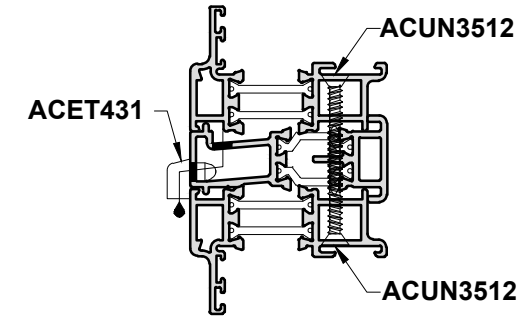


**Zone Drainage of Jamb Cavity**

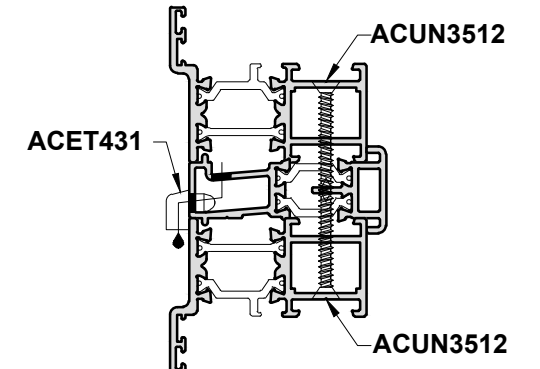
CWCT Built up wall guidance recommends drainage of Jamb Cavity



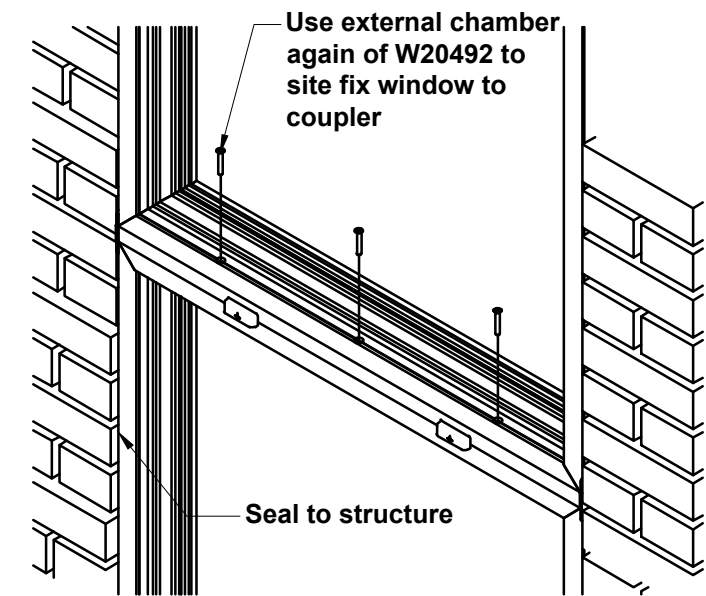
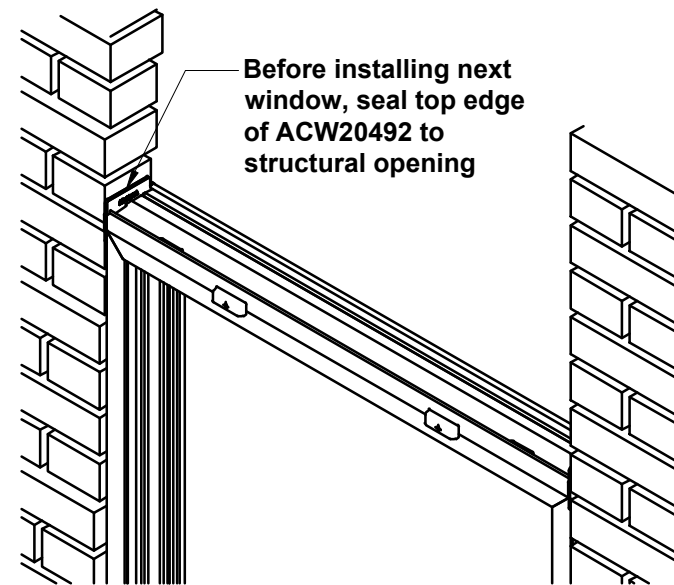
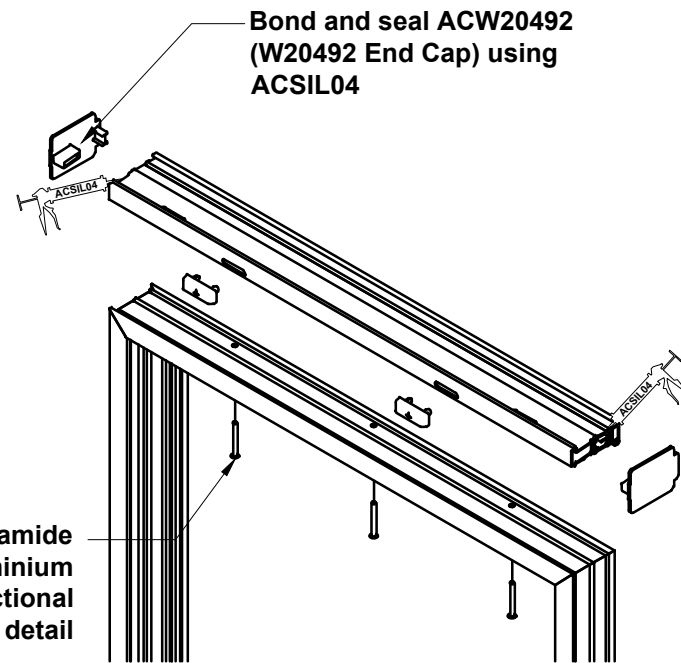
**W20015**



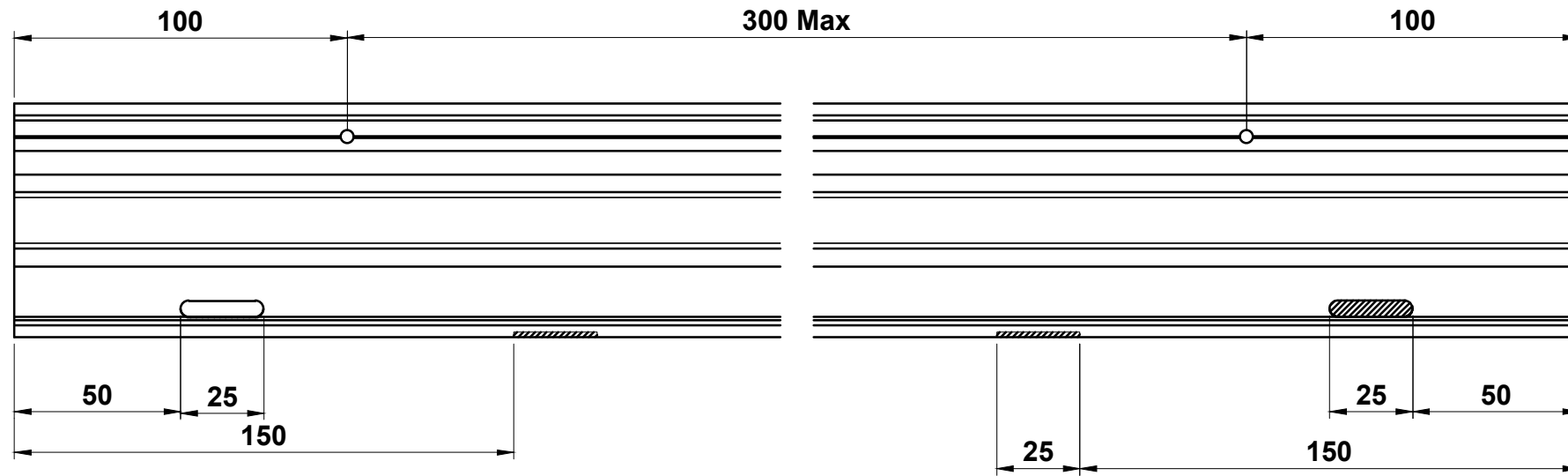
**W20018**



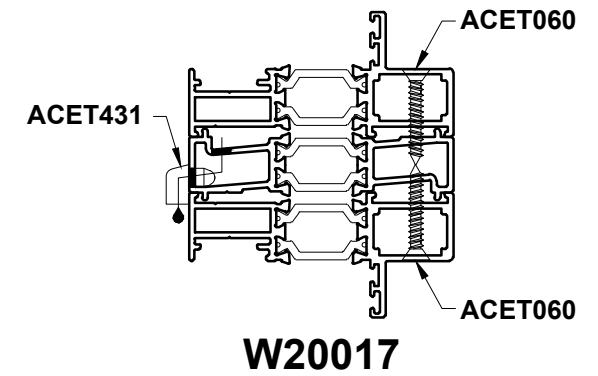
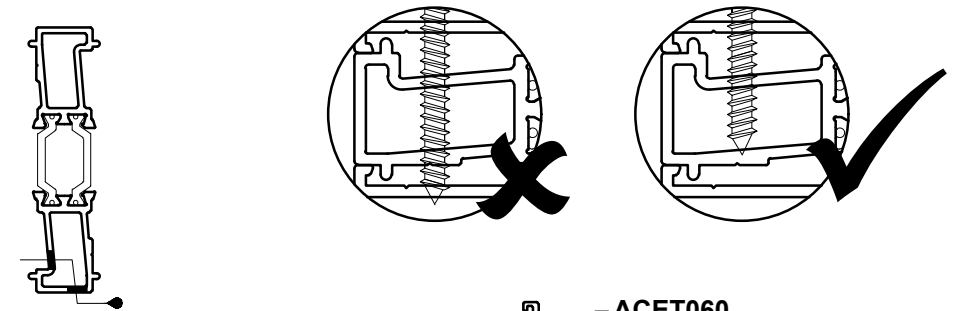
**W20110**



**UN3000 Horizontal Coupler Detail**

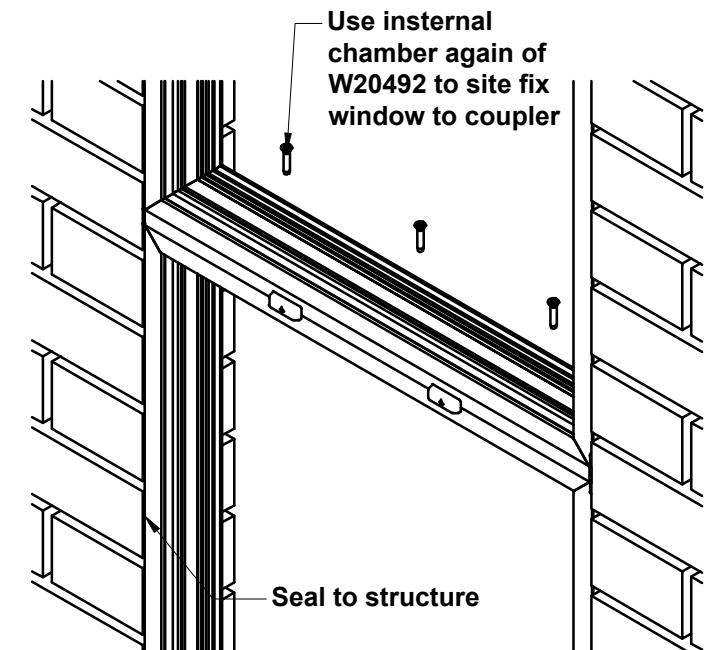
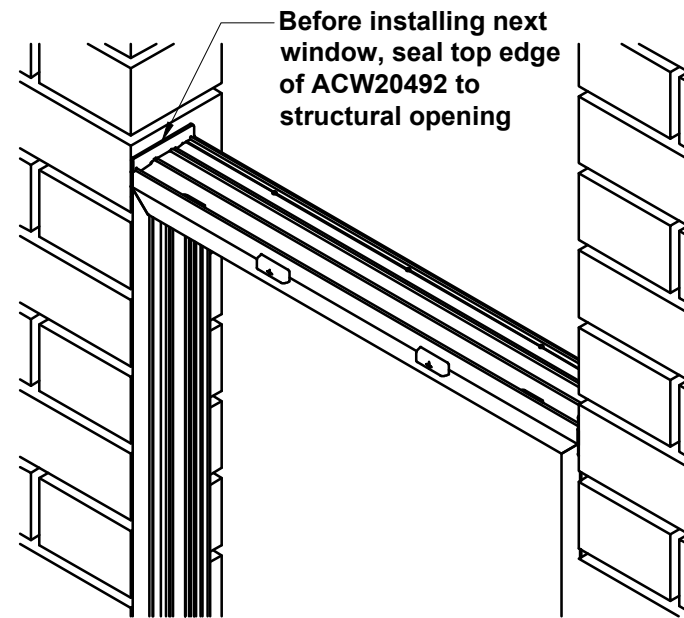
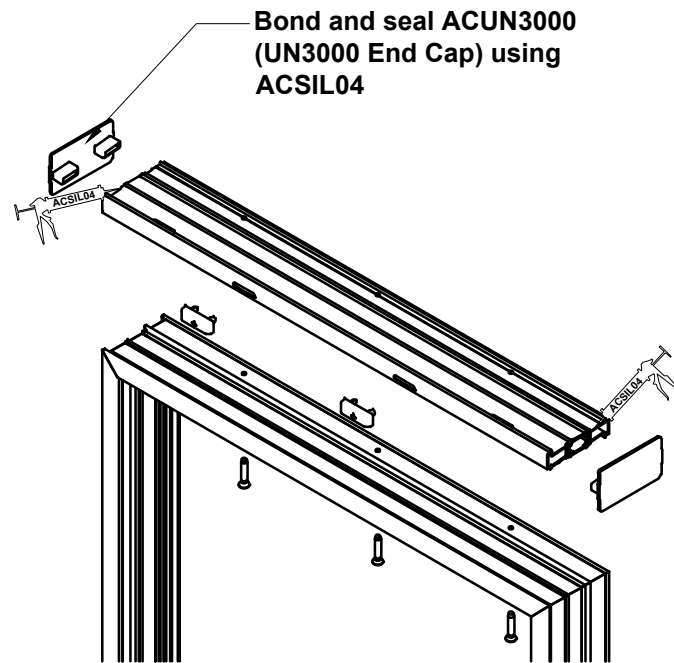


**Important Note: Do not screw through drainage channel.**



**Zone Drainage of Jamb Cavity**

CWCT Built up wall guidance recommends drainage of Jamb Cavity



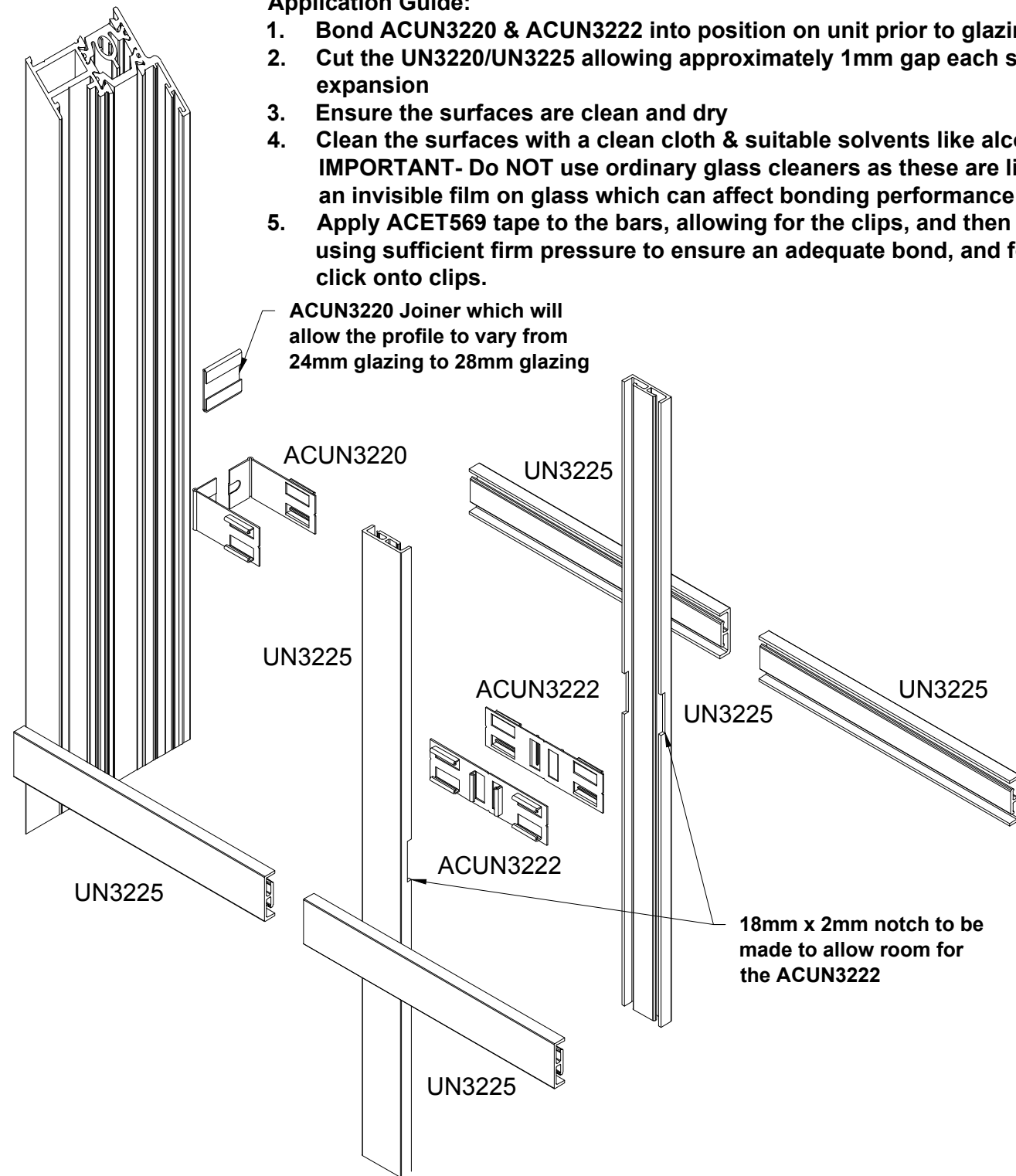
Do Not Scale From This Drawing

**Astragal Bar Detail**

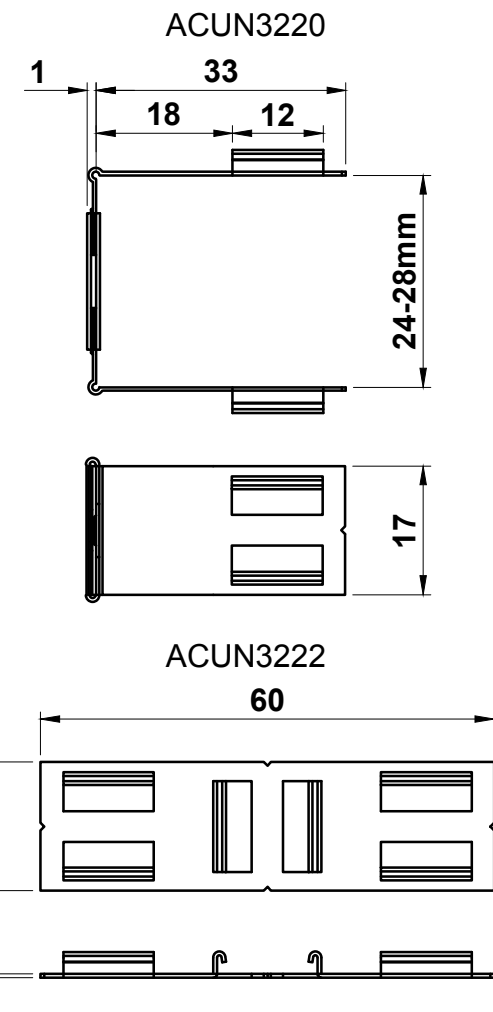
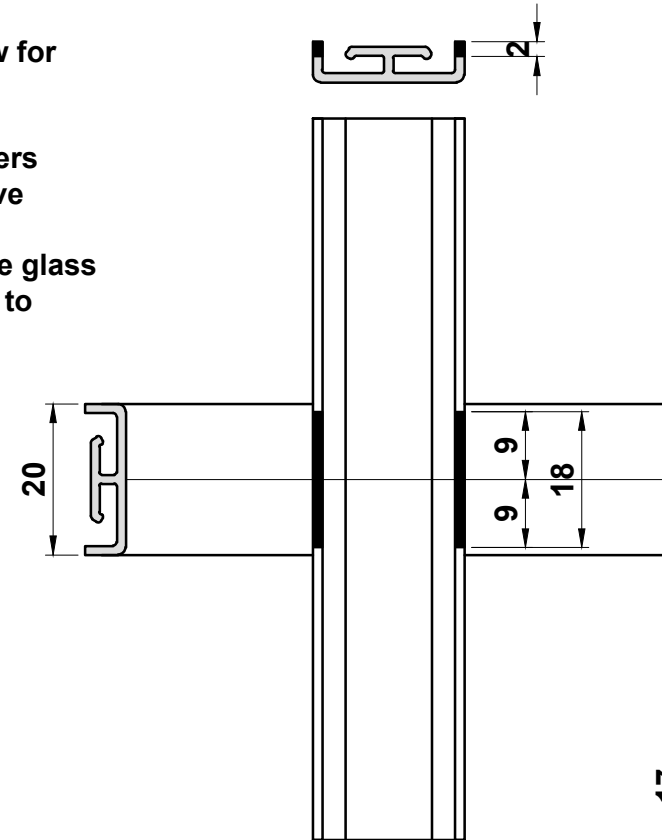
**Application Guide:**

1. Bond ACUN3220 & ACUN3222 into position on unit prior to glazing
2. Cut the UN3220/UN3225 allowing approximately 1mm gap each side to allow for expansion
3. Ensure the surfaces are clean and dry
4. Clean the surfaces with a clean cloth & suitable solvents like alcohol or ethers  
**IMPORTANT- Do NOT use ordinary glass cleaners as these are likely to leave an invisible film on glass which can affect bonding performance**
5. Apply ACET569 tape to the bars, allowing for the clips, and then apply to the glass using sufficient firm pressure to ensure an adequate bond, and for the bars to click onto clips.

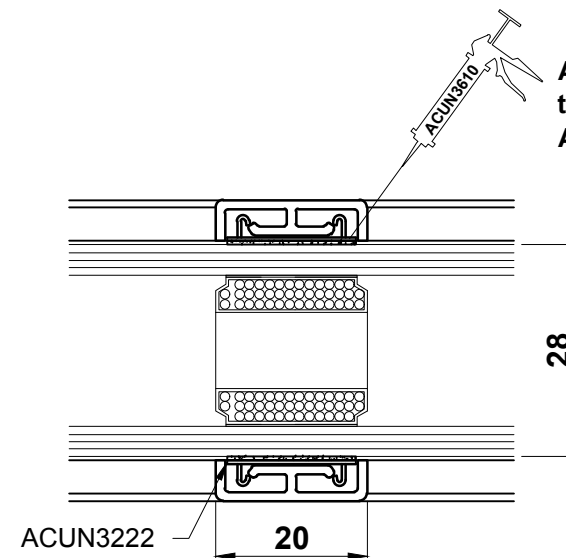
ACUN3220 Joiner which will allow the profile to vary from 24mm glazing to 28mm glazing



**Notch Detail for ACUN3222**



ACUN3610 to be used to bond ACUN3220 & ACUN3222 to the glass

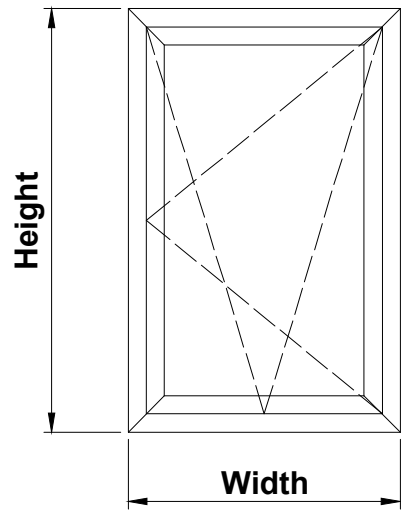


Ensure area of bonding is clean, dry and free from any dust or surface contamination.

Apply a small coating of ACUN3612 surface activator to the glass side of ACUN3222 and the bond area of the glass only. Allow to dry, leaving a slight residue. Take care not to apply ACUN3612 to any visible surfaces.

Do Not Scale From This Drawing

**Tilt & Turn Overview**

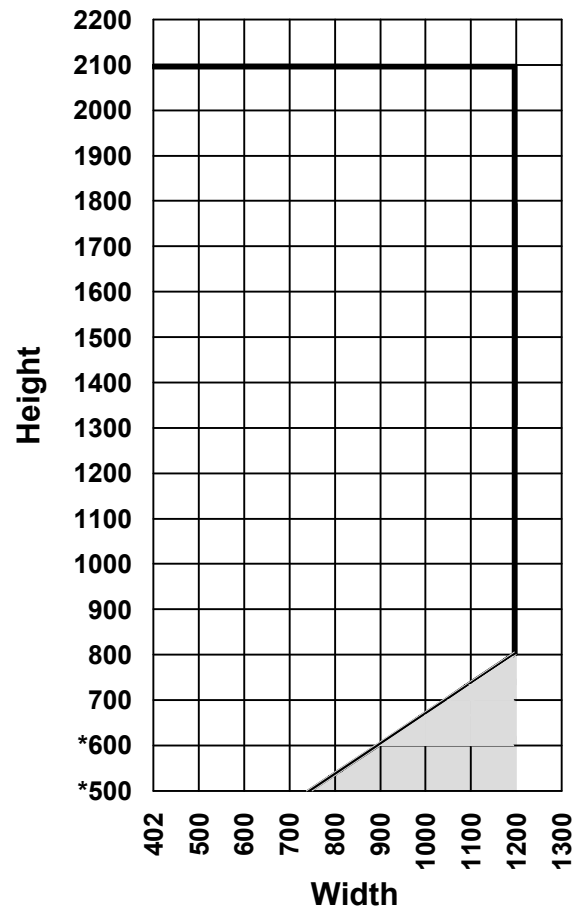


**Important Notes:**

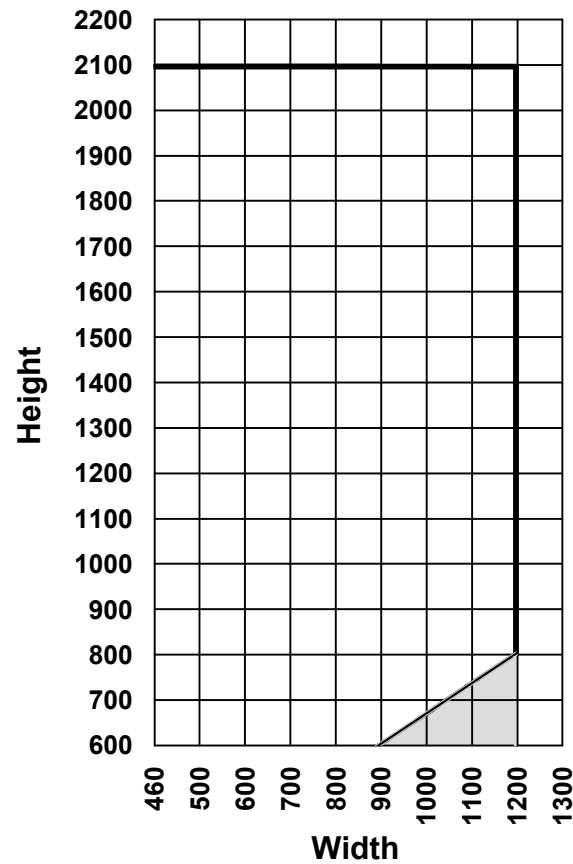
1. The size limitations of the chosen tilt & turn hardware must be adhered to
2. The width of the sash cannot be more than 1.5 times the height
3. Maximum sash weight = 90kg
4. Please refer to the tilt & turn hardware manuals for the latest information.

\*Due to the narrow outer frame, we recommend using the Chrono Invision tilt & turn gear to avoid issue with the internal render. Alternatively, an extension section maybe used as shown. Please see the SB Chrono manual or the Fapim manual for full gearing details

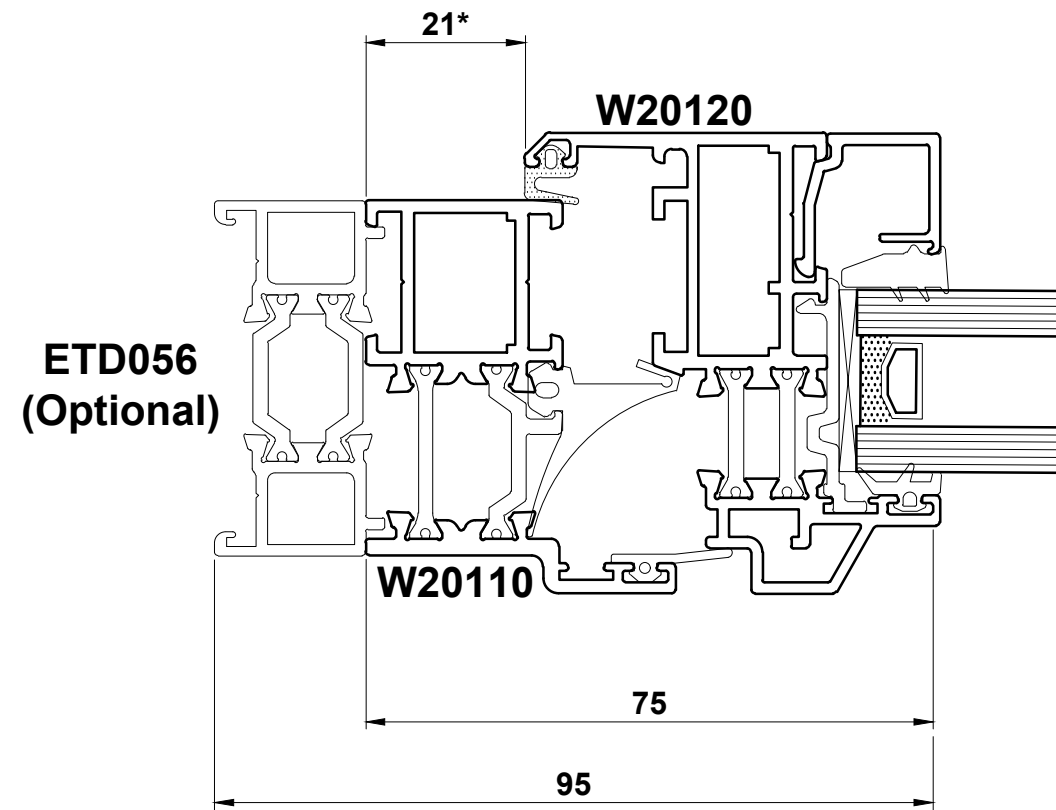
**Fapim Tilt & Turn Hardware**



**Sobinco Tilt & Turn Hardware**

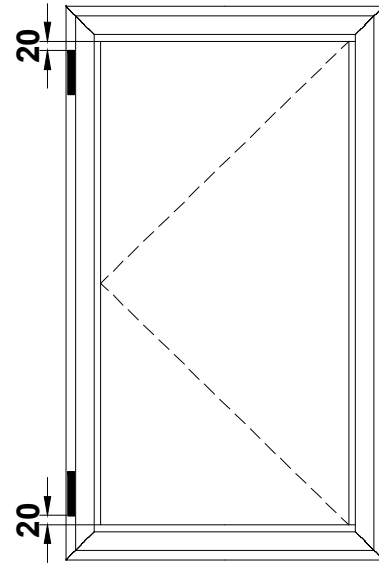


**Important Note:**  
For PAS24 use Sobinco Safe Invision

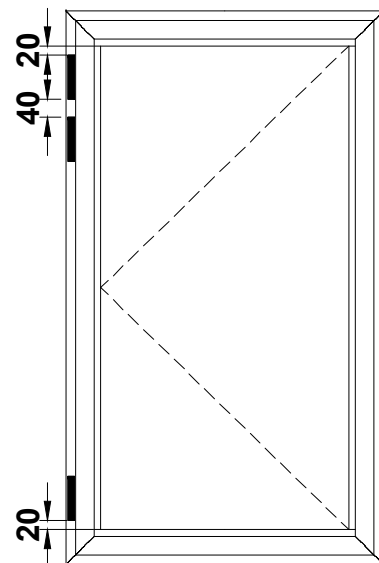




**ACUN3140 Hinge**

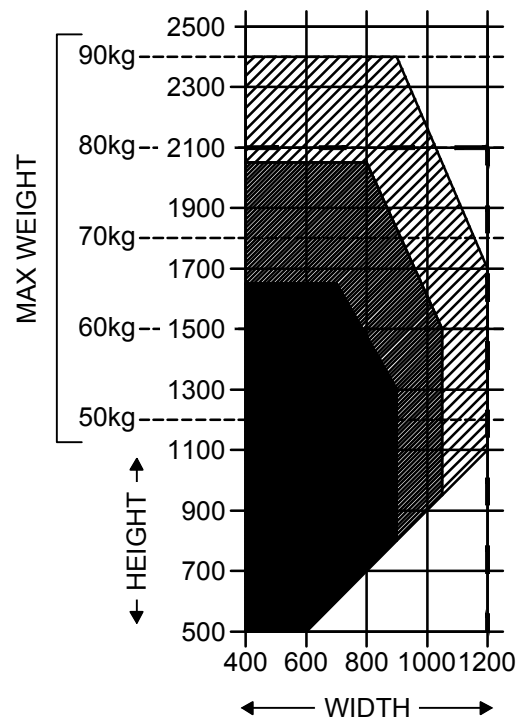


2 Hinge Locations



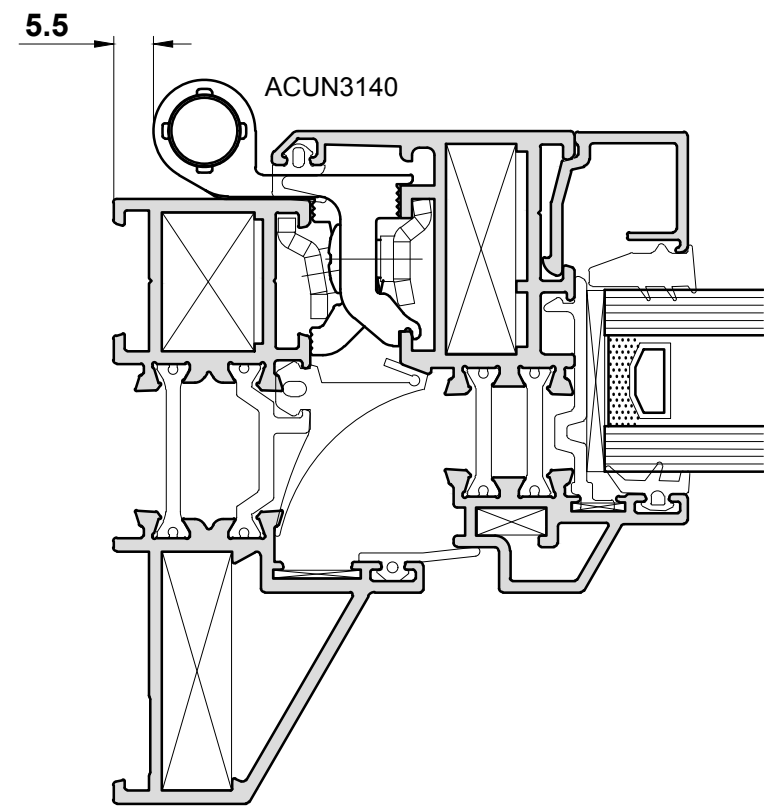
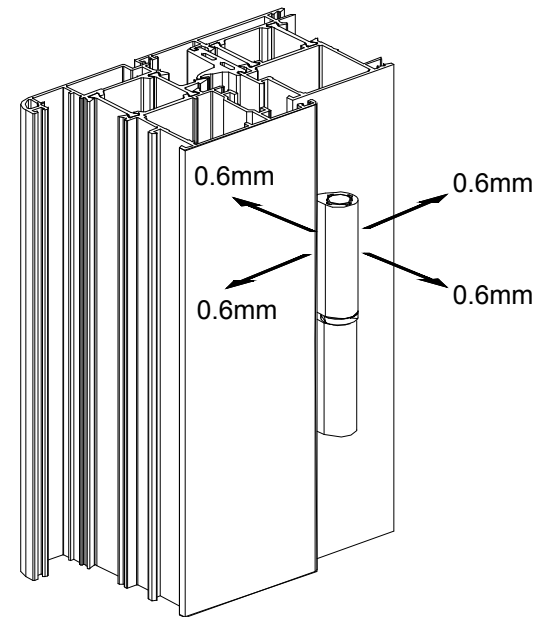
3 Hinge Locations

**ACUN3140 - Hinge Limitations**

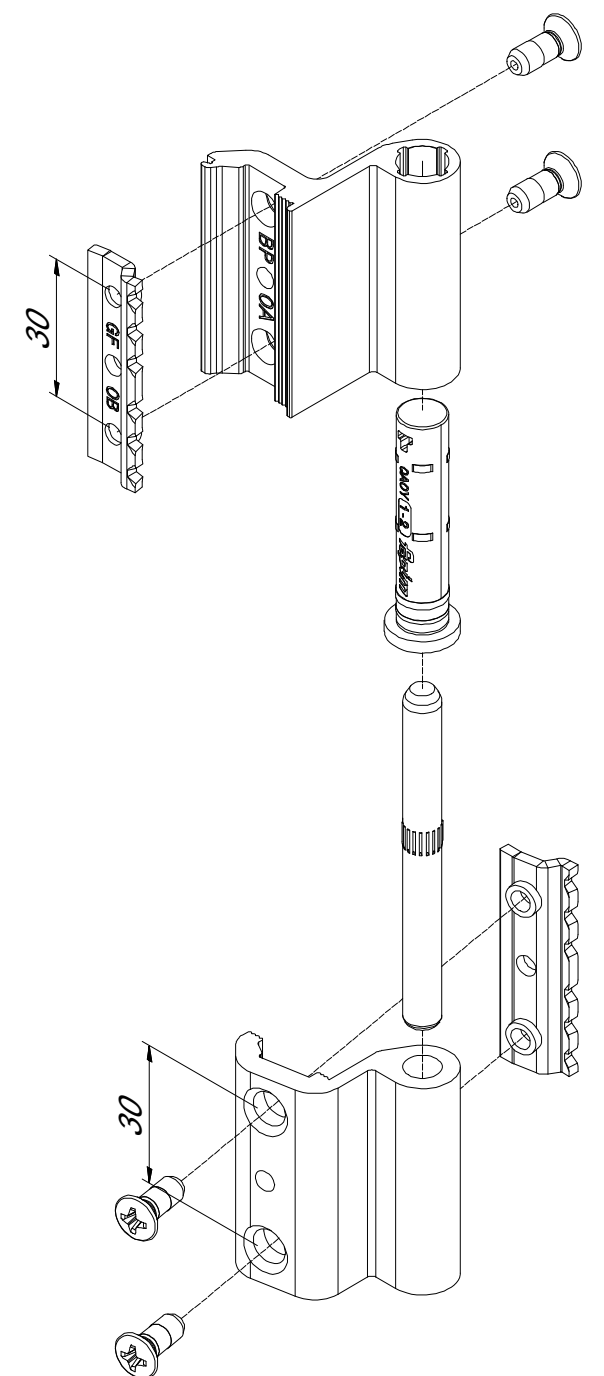


**Please note:**  
Sash and Hinge Limitations are different.  
Anything fabricated outside of Smart Systems Ltd. sash limitations will not be covered by Kitemark.

Smart Systems Ltd.  
sash size limitations  
- - -

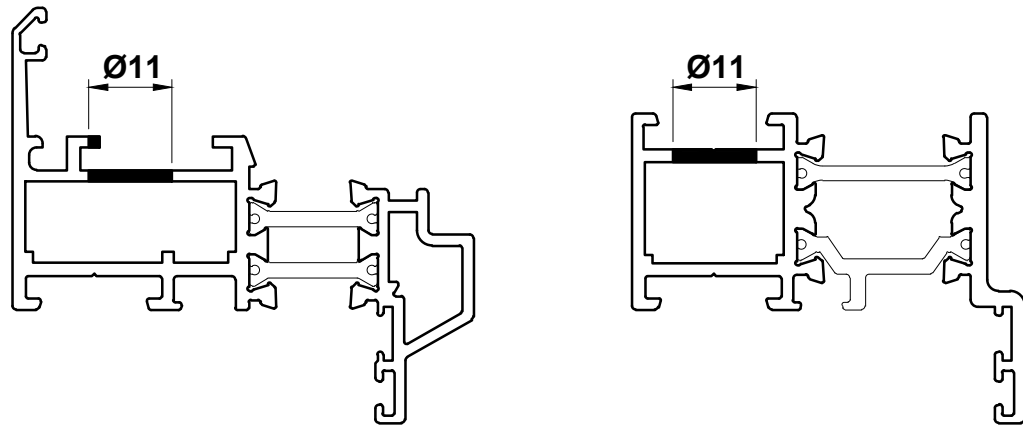


**ACUN3140 - Hinge Assembly**



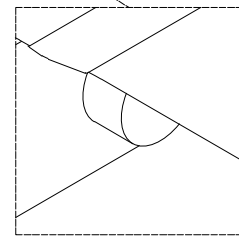
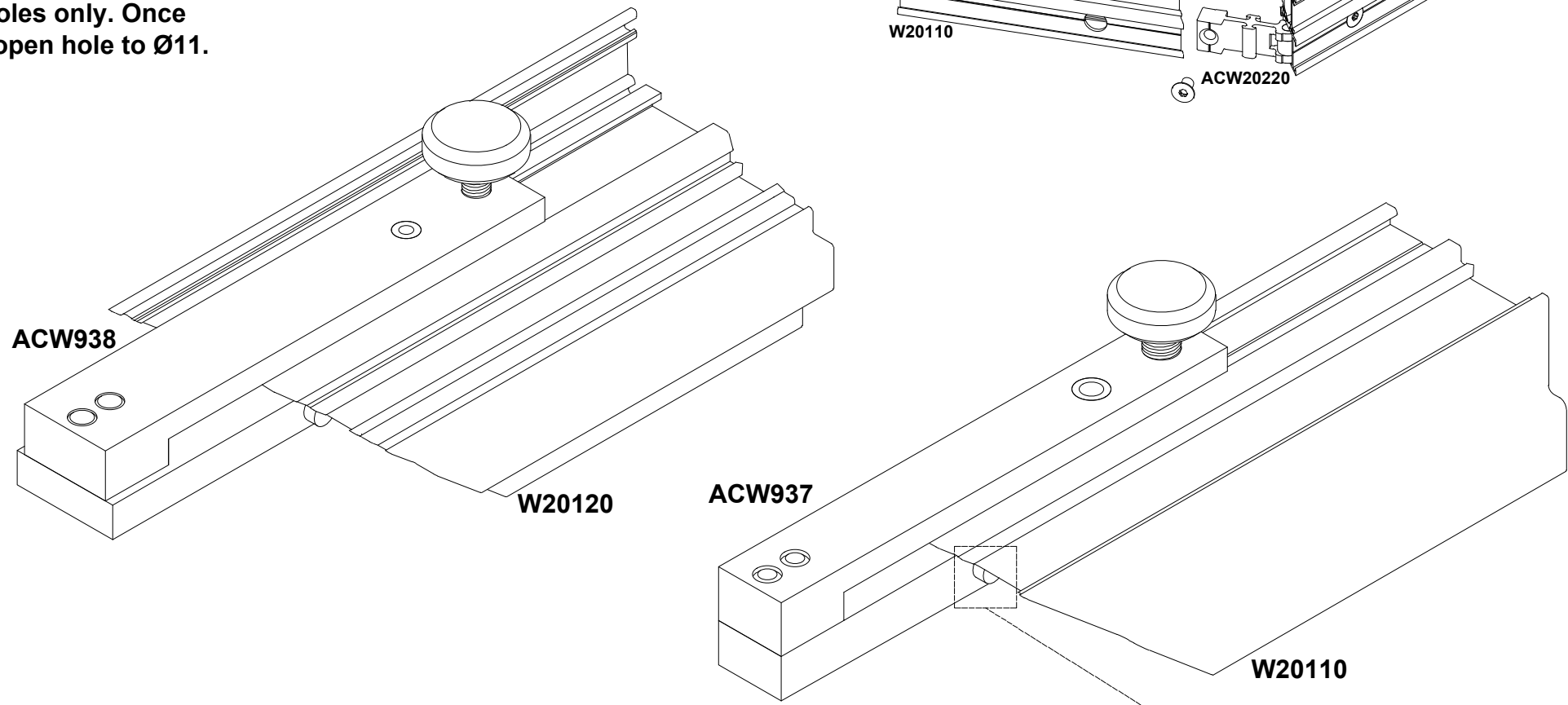
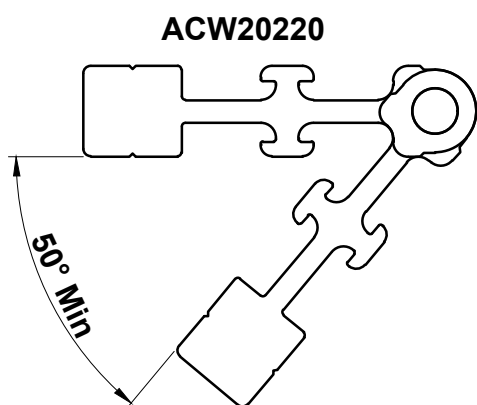
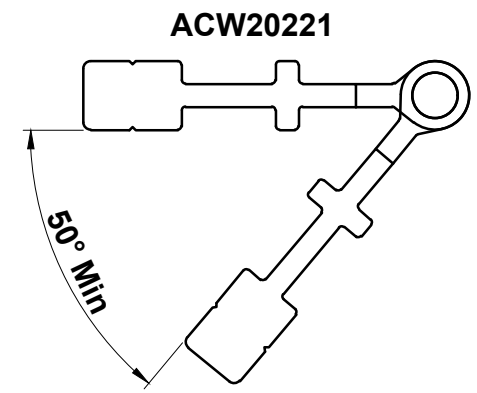
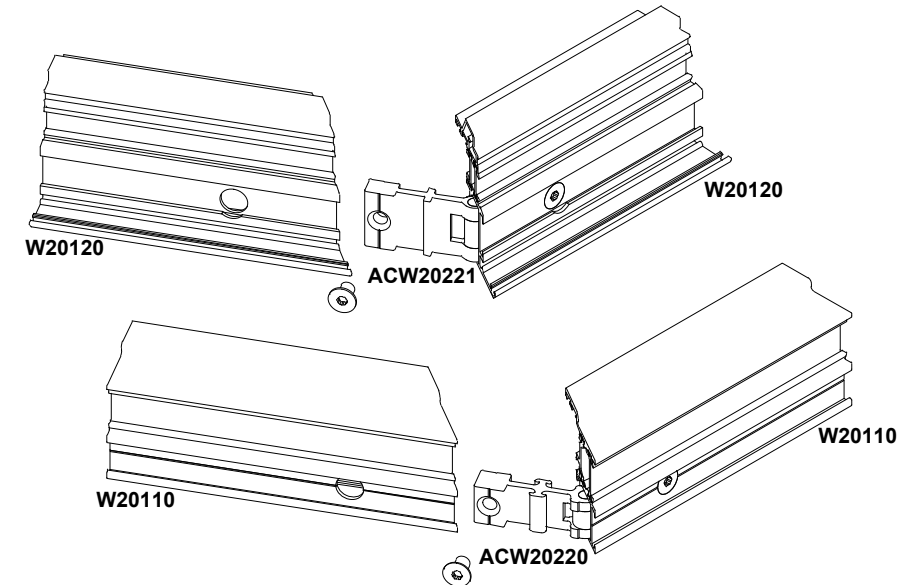
**Do Not Scale From This Drawing**

**Tilt & Turn Variable Angle Cleat Detail**



Note: Jigs to be used as pilot holes only. Once drilled with ACW937 & ACW938, open hole to Ø11.

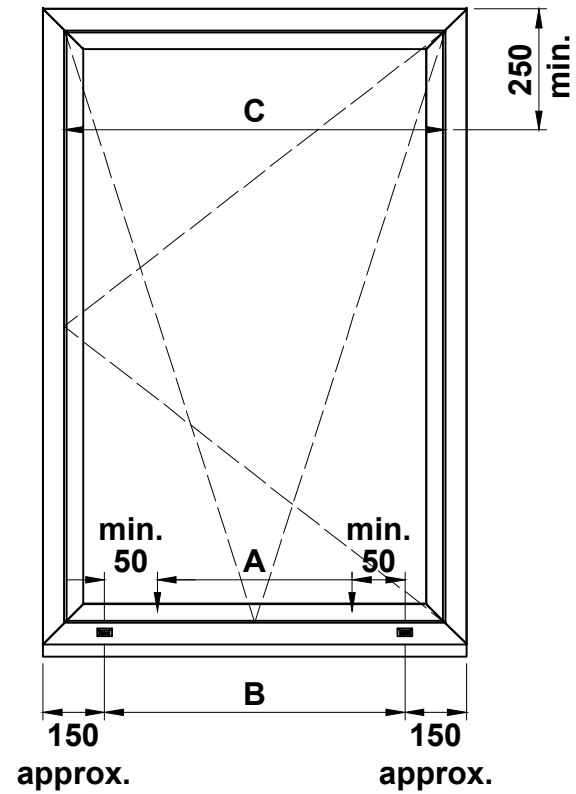
Note: Minimum angle achievable is 50° for ACW20220 and ACW20221. To achieve the minimum angle of 50°, the mitre would be cut at a 25° angle.



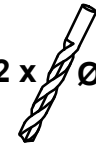
Ensure mitred face of profile is touching flat face of rotating pin in ACW937 & ACW938, then tighten security screw.

Do Not Scale From This Drawing

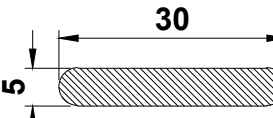
Tilt & Turn Drainage



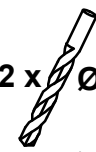
A: Vent Drainage = 2 x  $\varnothing 8$



B1: Outer Frame Drainage = 2 x  $\varnothing 5$



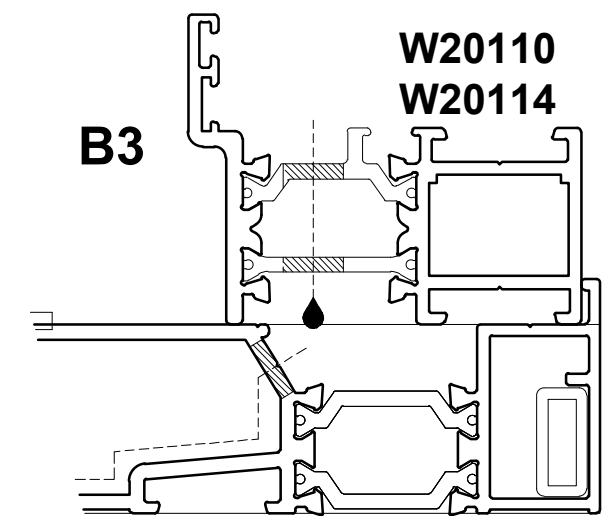
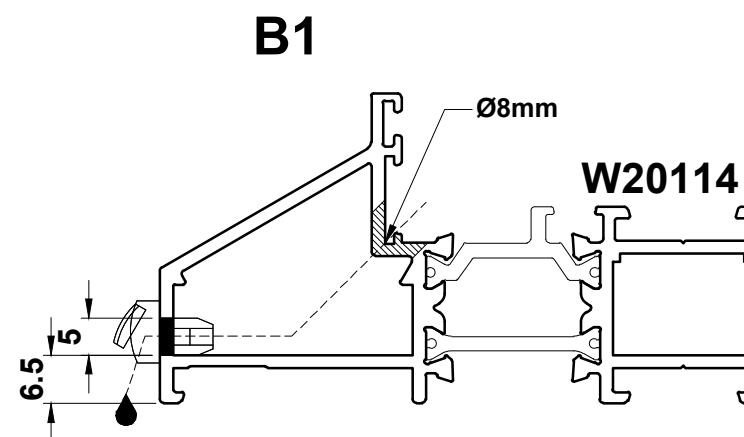
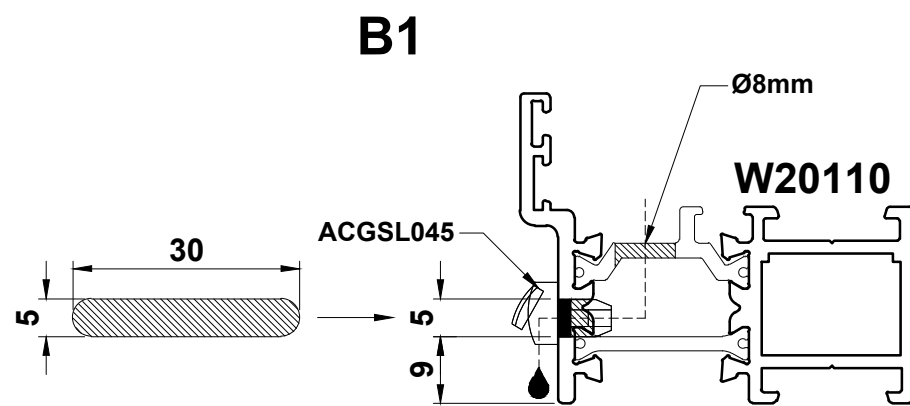
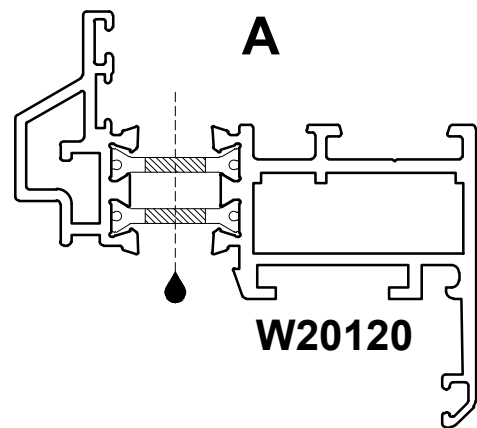
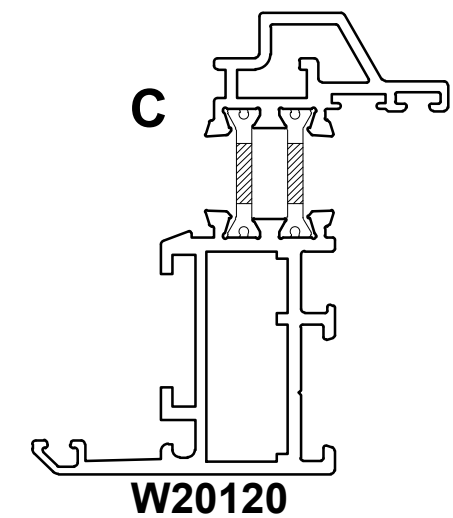
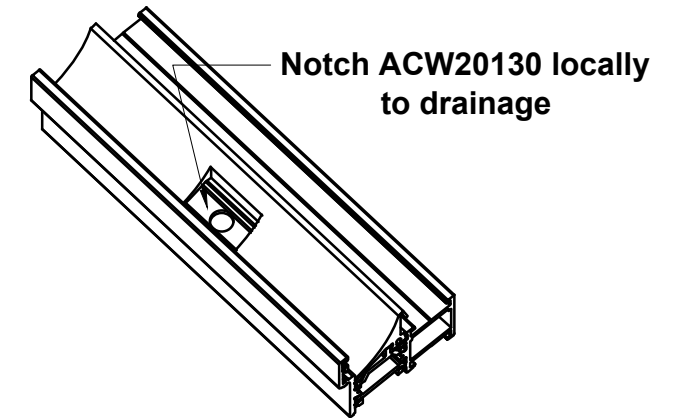
B2: Outer Frame Drainage = 2 x  $\varnothing 8$



C: Sash Ventilation Holes = 2 x  $\varnothing 8$

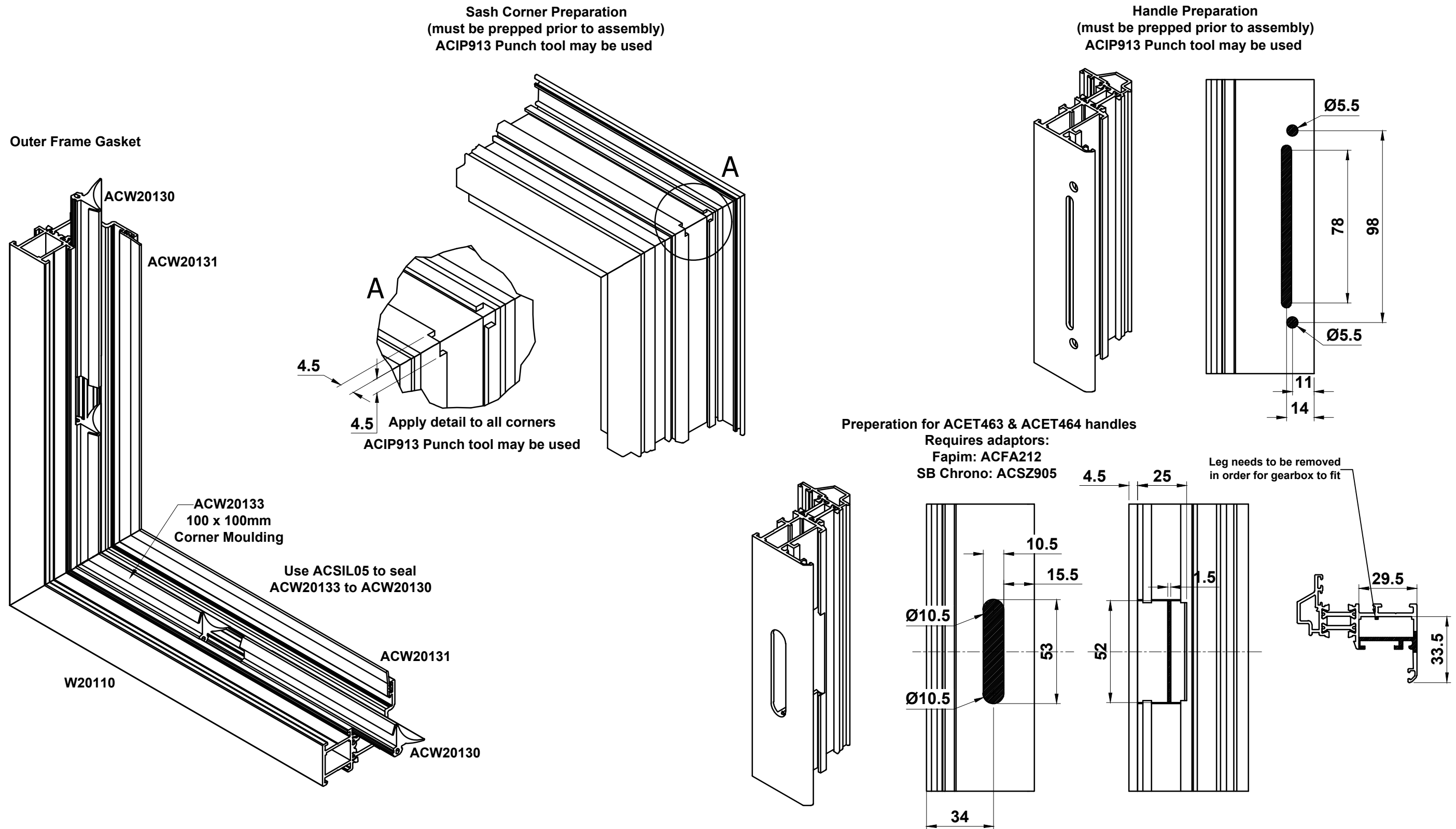


Important Note: All exposed aluminium should be coated using ACSIL014 or painted to match the frame.



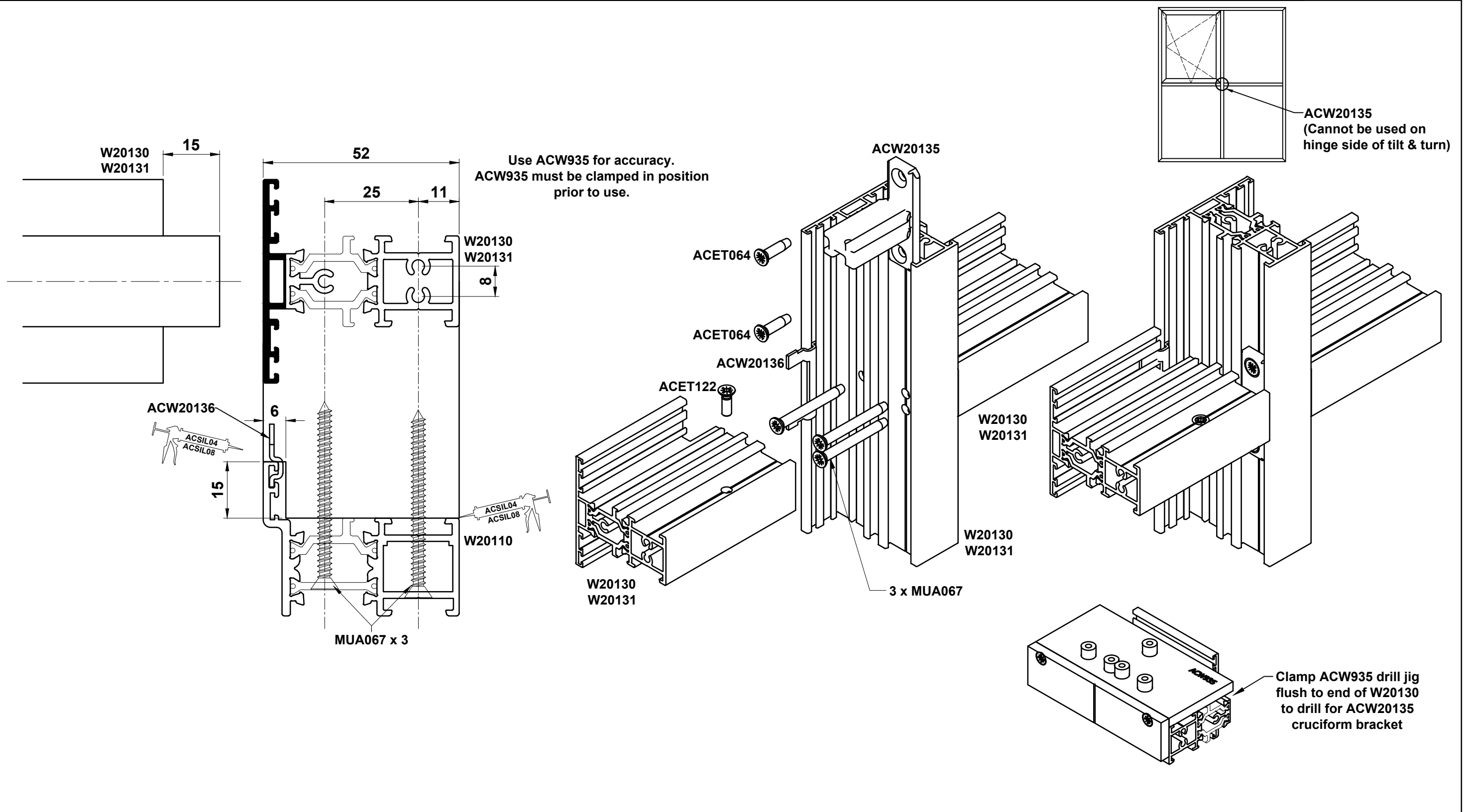
Do Not Scale From This Drawing

**Tilt & Turn Outer Frame & Sash**



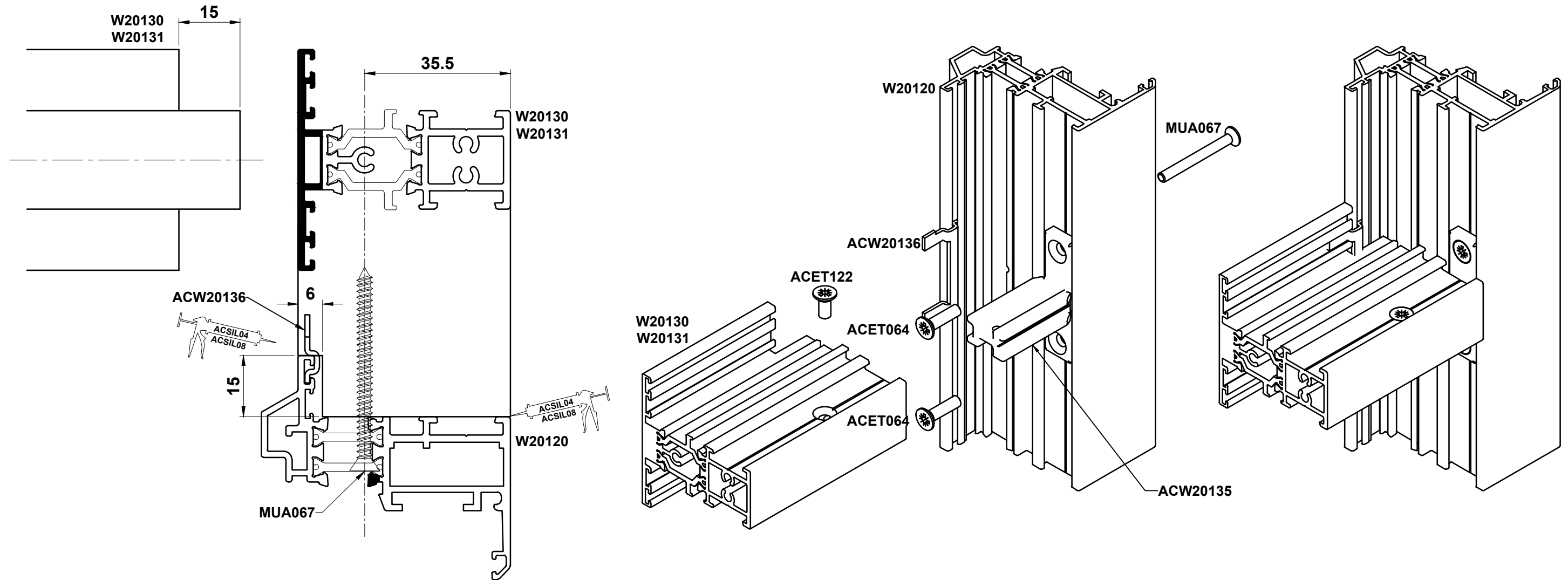
Do Not Scale From This Drawing

**W20130/131 Tilt & Turn Transom/Mullion**



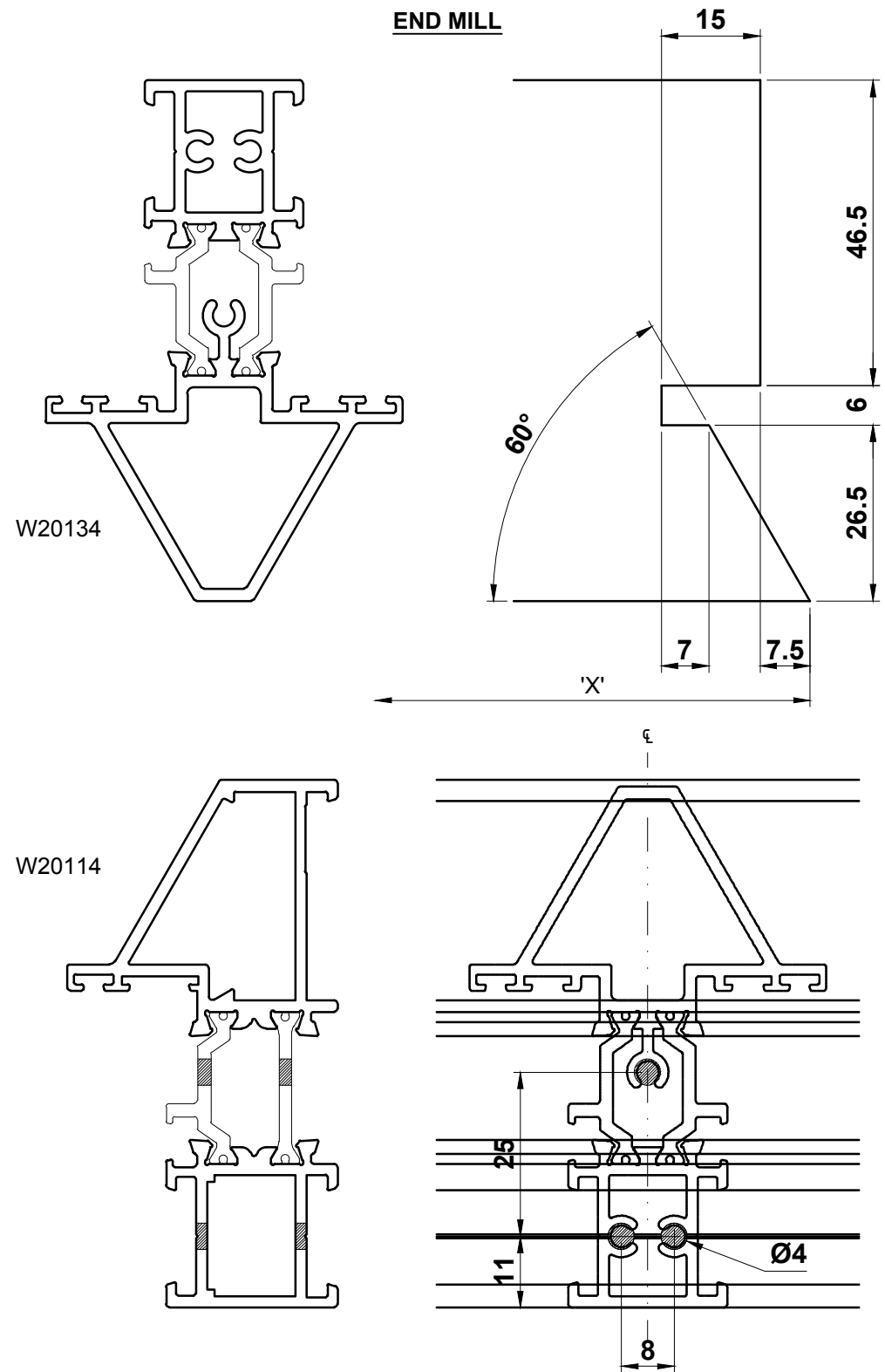
Do Not Scale From This Drawing

W20130/131 Tilt & Turn Transom/Mullion Continued



Do Not Scale From This Drawing

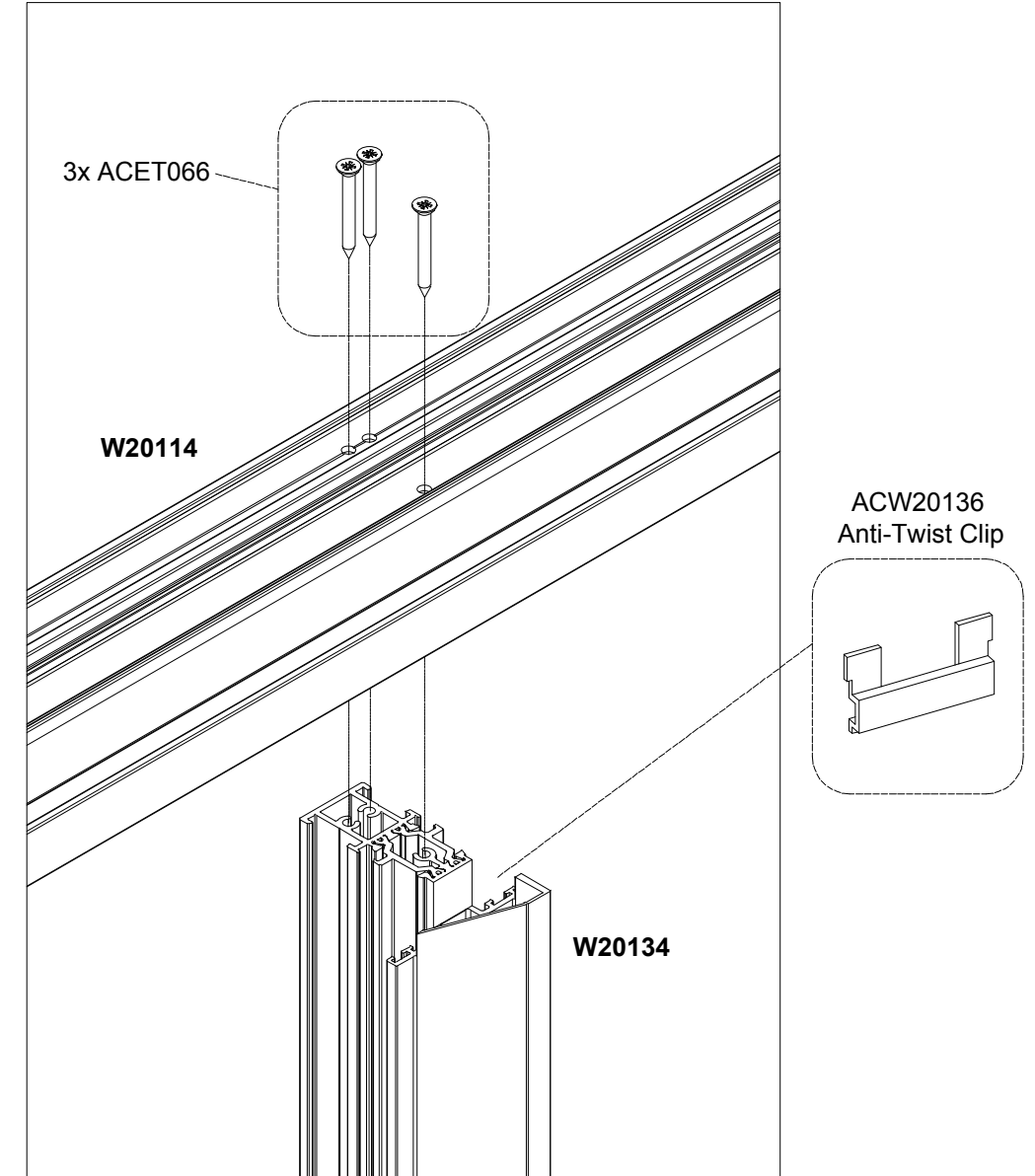
**W20134 Tilt & Turn Transom/Mullion**



**Important Fabrication Note**  
End Mill Cutters can be ordered through Smart Systems Ltd. Please Contact Technical Department for order form. Standard Delivery is 2-3 weeks.

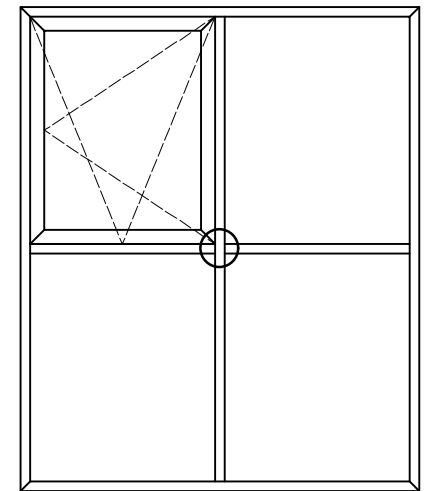
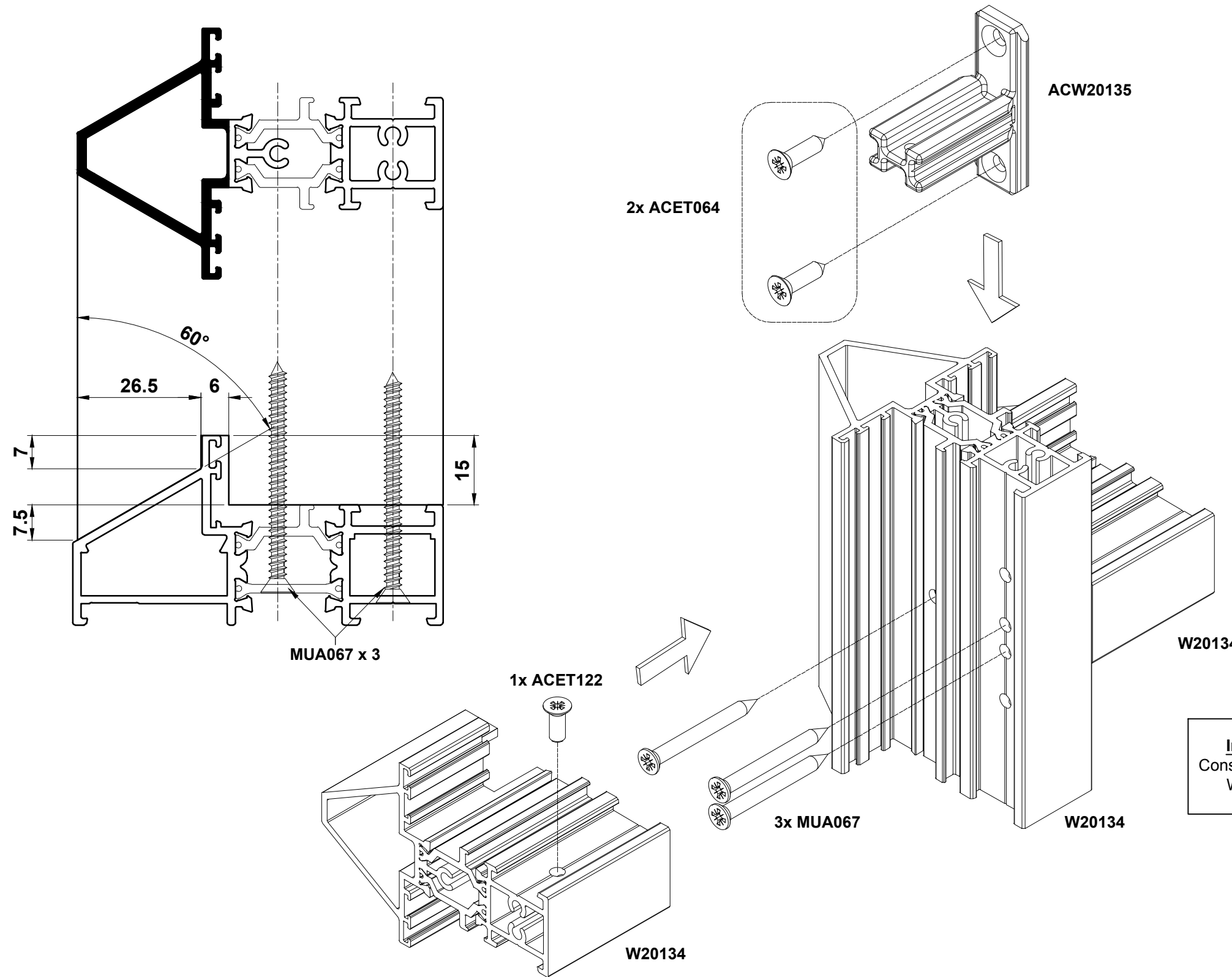
X =  
O/F to O/F - 37  
O/F to € - 23  
€ to € - 9

**Important Fabrication Note**  
Consider using ACW935 for marking W20134 screwport locations.



**Do Not Scale From This Drawing**

W20134 Tilt & Turn Transom/Mullion Continued



**Important Fabrication Note**  
ACW20135 cannot be used on hinge side of Tilt & Turn

**Important Fabrication Note**  
Consider using ACW935 for marking W20134 screwport locations.

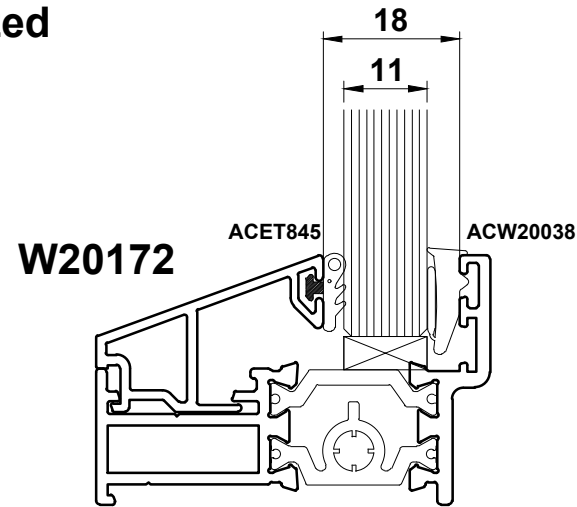
Do Not Scale From This Drawing



**Glazing Chart**

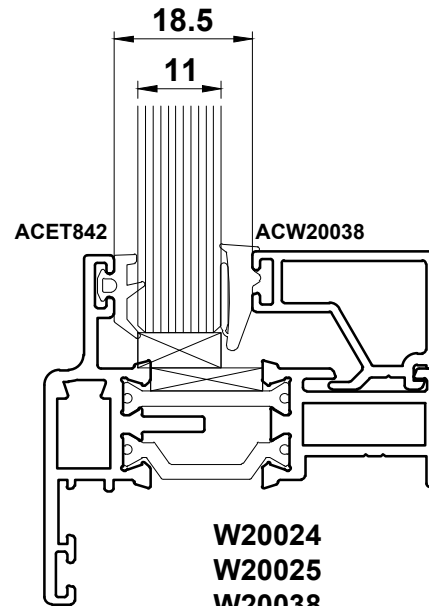
**11mm Glazing**

**Gasket Glazed**



**W20172**

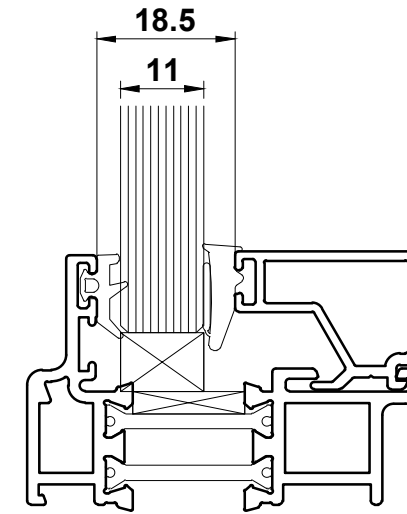
- W20015    W20034    W20112
- W20016    W20035    W20132
- W20017    W20039
- W20032    W20111



ACET842    ACW20038

**W20173**

- W20024
- W20025
- W20038
- W20133
- W20135



**W20173**

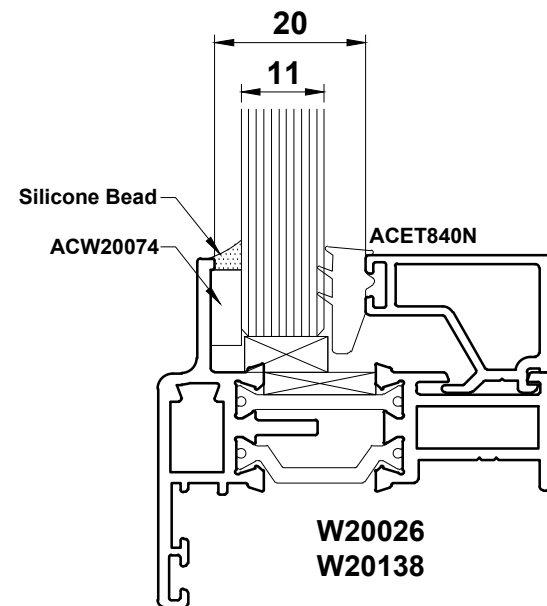
- W20018
- W20047

**11mm Glazing**

**Tape Glazed**

**Important Notes:**

- Glazing tape must be coated with silicone after installation
- Tape glazing is only available for the sections shown to the right

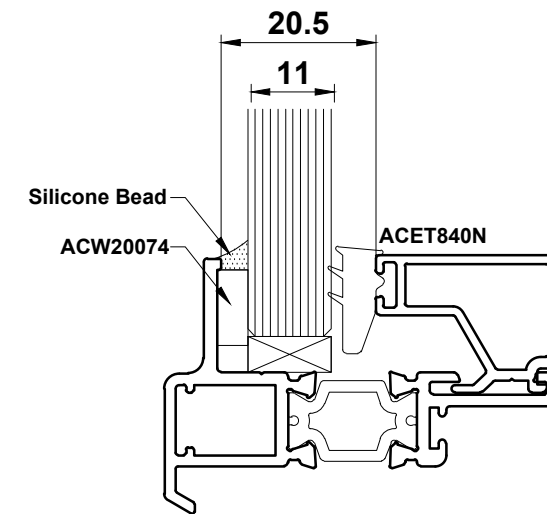


Silicone Bead  
ACW20074

ACET840N

**W20173**

- W20026
- W20138



Silicone Bead  
ACW20074

ACET840N

**W20173**

**W20147**

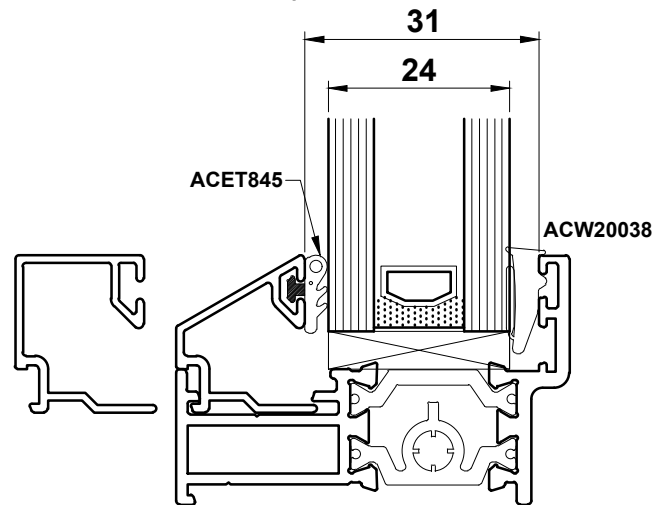
Do Not Scale From This Drawing

**Glazing Chart**

**24mm Glazing**

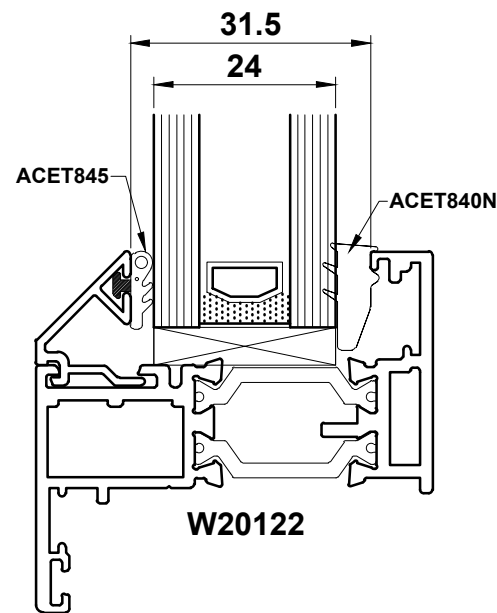
**Gasket Glazed**

**ETC370** or **ETC364**  
Square Chamfered



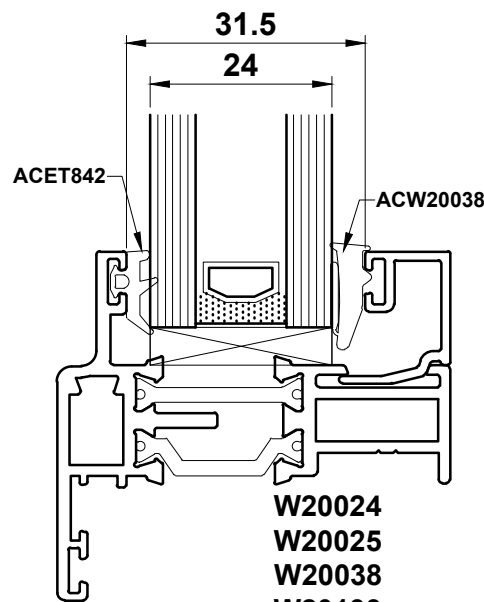
W20015 W20034 W20112  
W20016 W20035 W20132  
W20017 W20039  
W20032 W20111

**ETC378**  
Chamfered



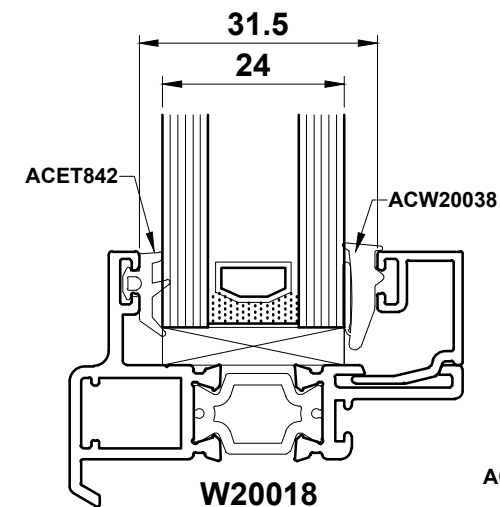
W20122

**W20168N**



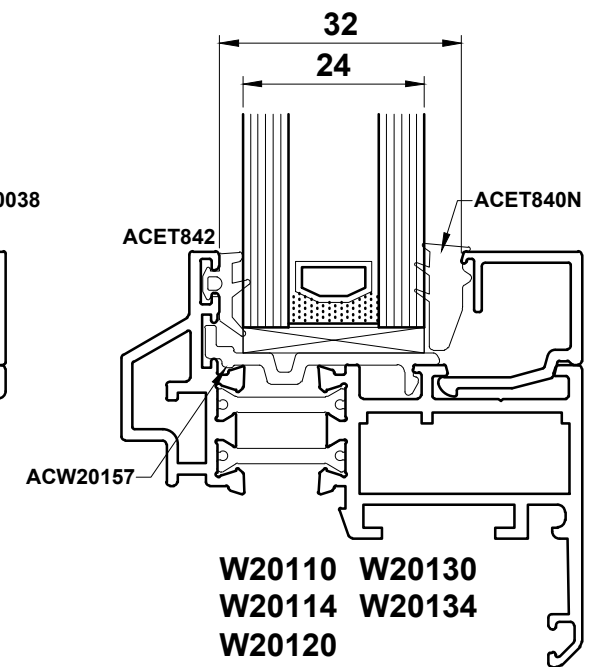
W20024  
W20025  
W20038  
W20133  
W20135

**W20168N**



W20018  
W20047

**W20174**



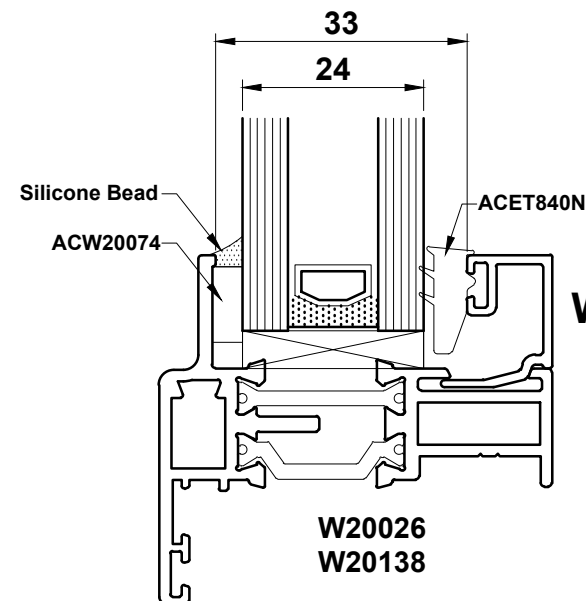
W20110 W20130  
W20114 W20134  
W20120

**24mm Glazing**

**Tape Glazed**

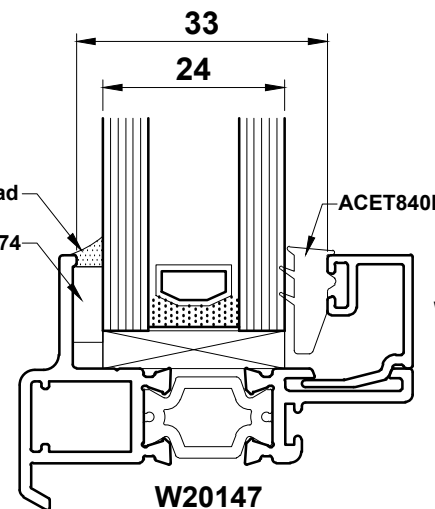
**Important Notes:**

- Glazing tape must be coated with silicone after installation
- Tape glazing is only available for the sections shown to the right



W20026  
W20138

W20168N



W20147

W20168N

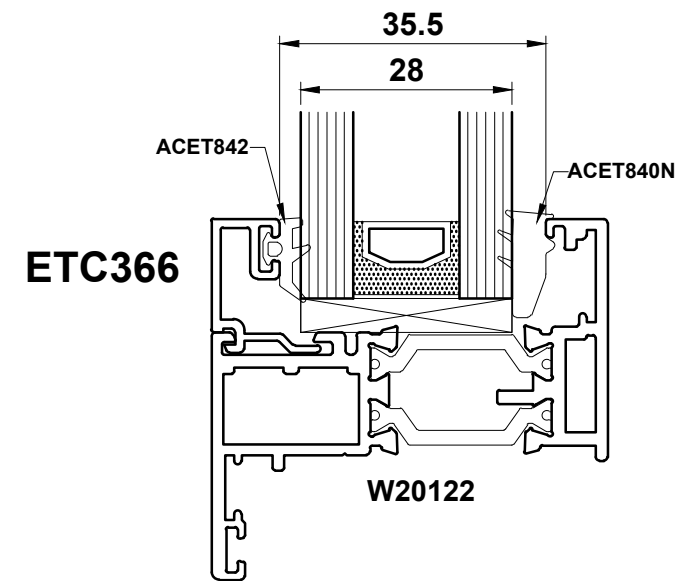
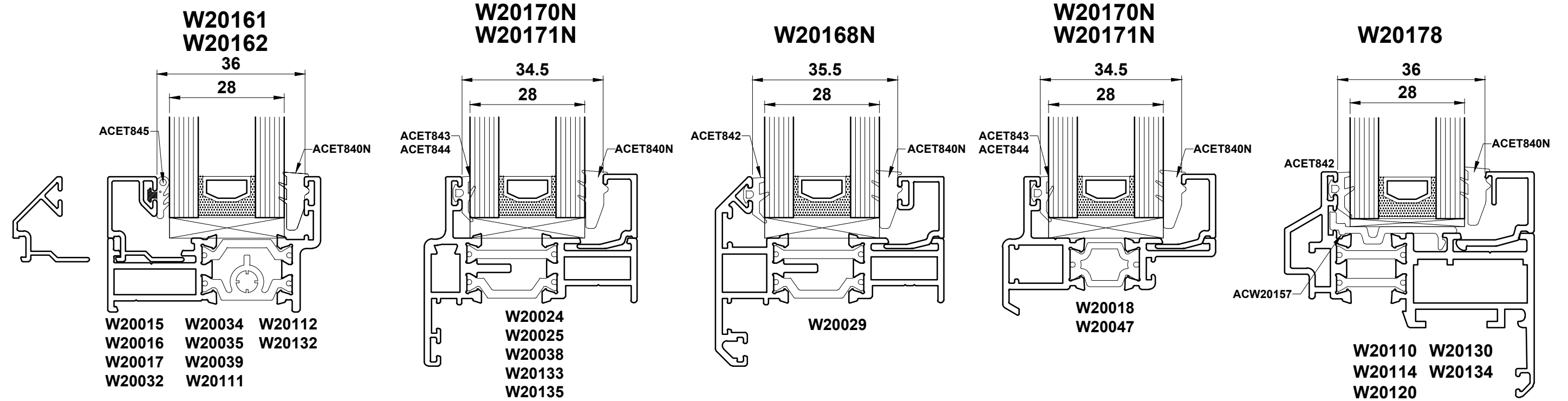
**We recommend the use of Black Spacer Bar in the sealed units**

Do Not Scale From This Drawing

**Glazing Chart**

**28mm Glazing**

**Gasket Glazed**

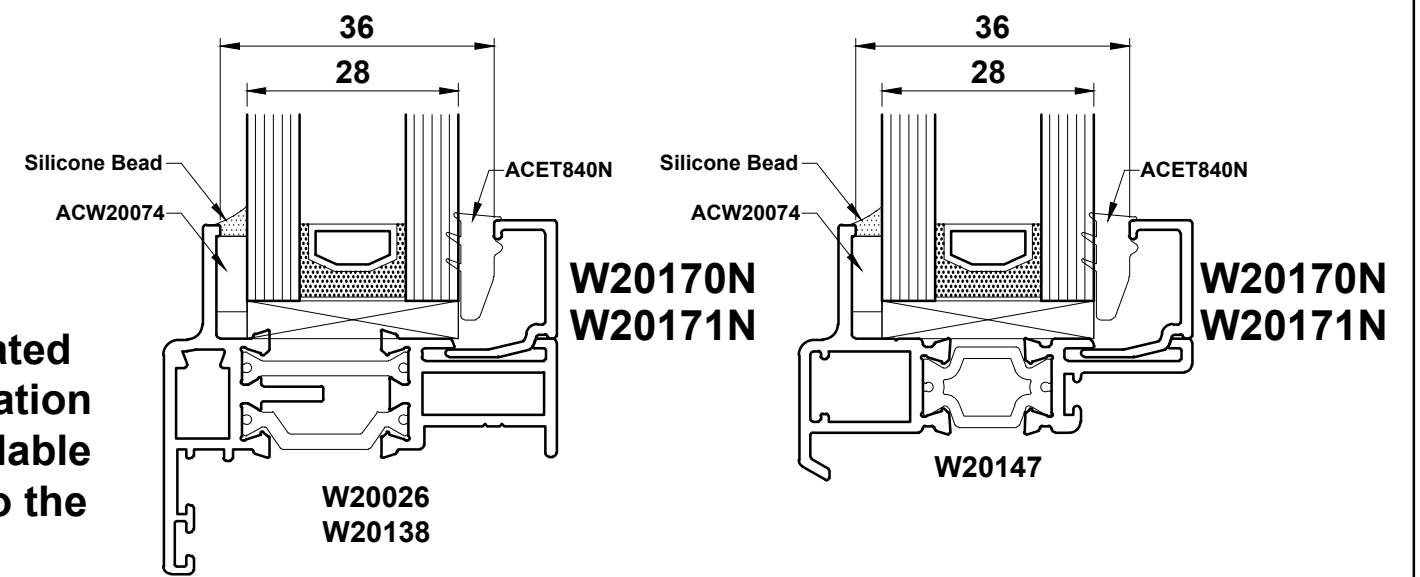


**28mm Glazing**

**Tape Glazed**

**Important Notes:**

- Glazing tape must be coated with silicone after installation
- Tape glazing is only available for the sections shown to the right



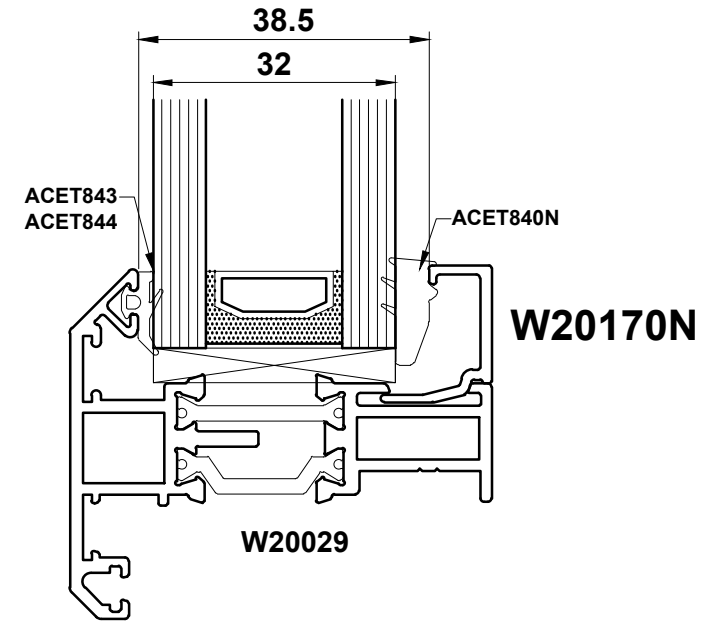
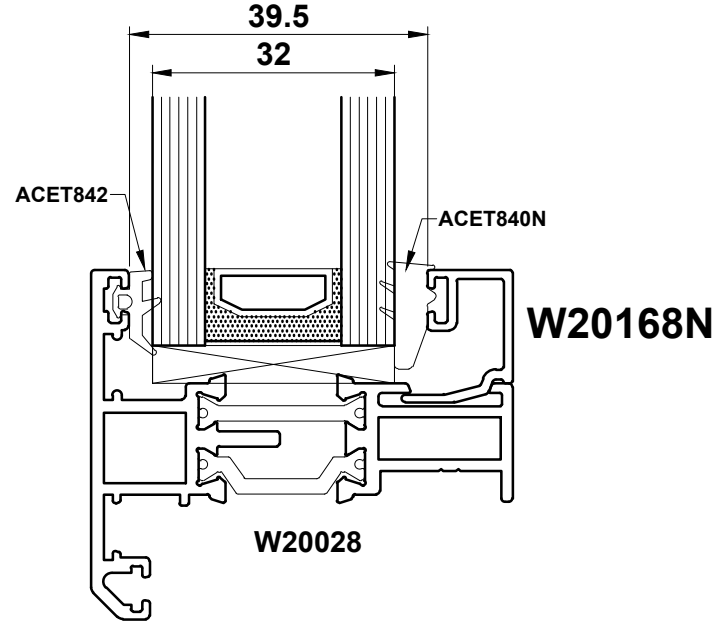
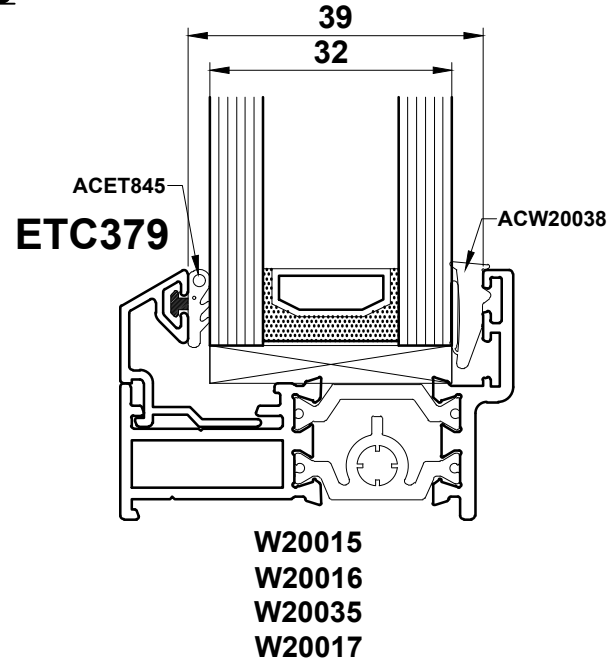
Do Not Scale From This Drawing

**Glazing Chart**

**32mm Glazing**

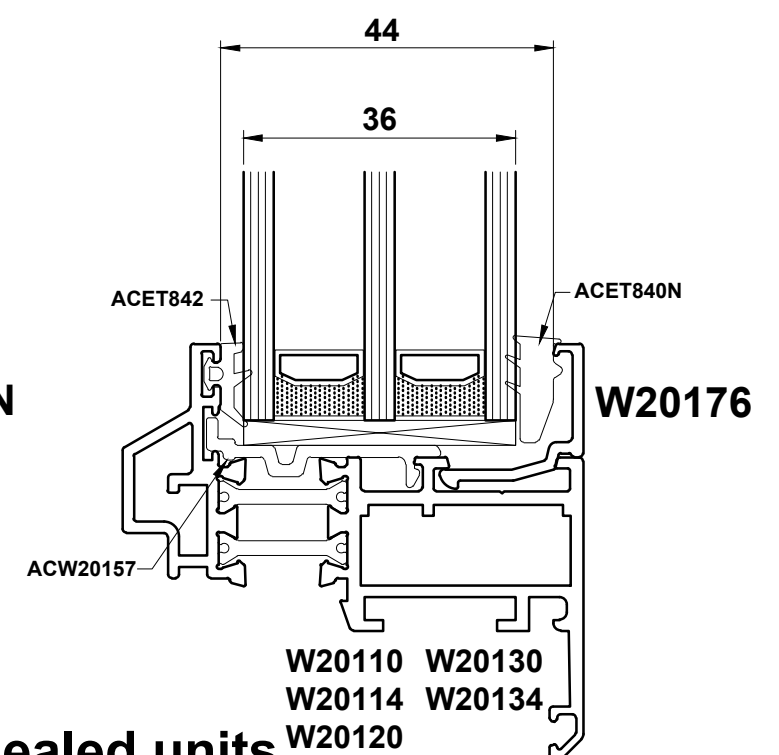
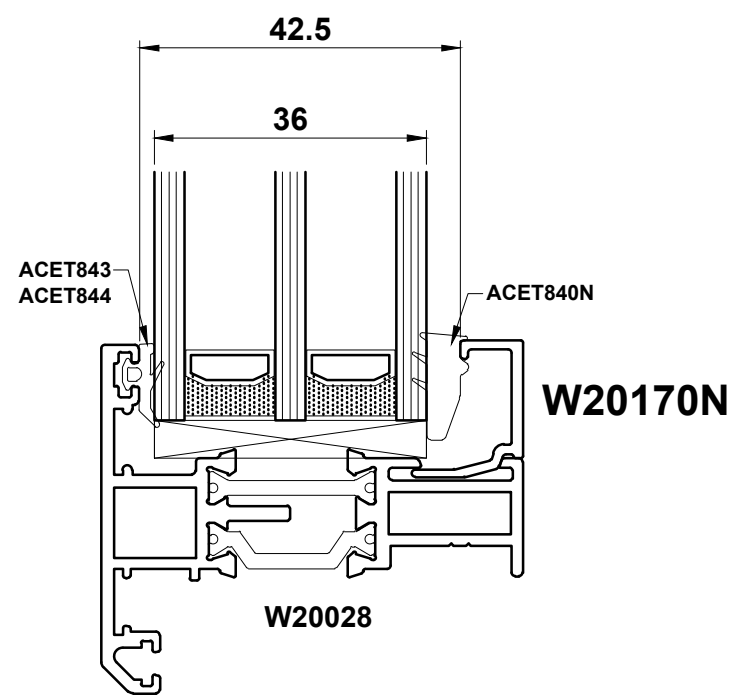
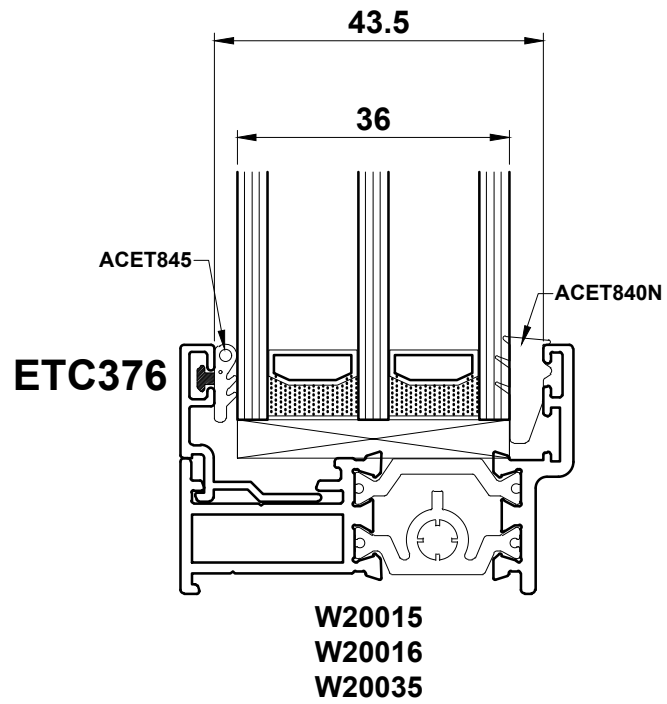
Gasket Glazed

**Important Note: 32mm & 36mm glazing is compatible with the below sections only.**



**36mm Glazing**

Gasket Glazed

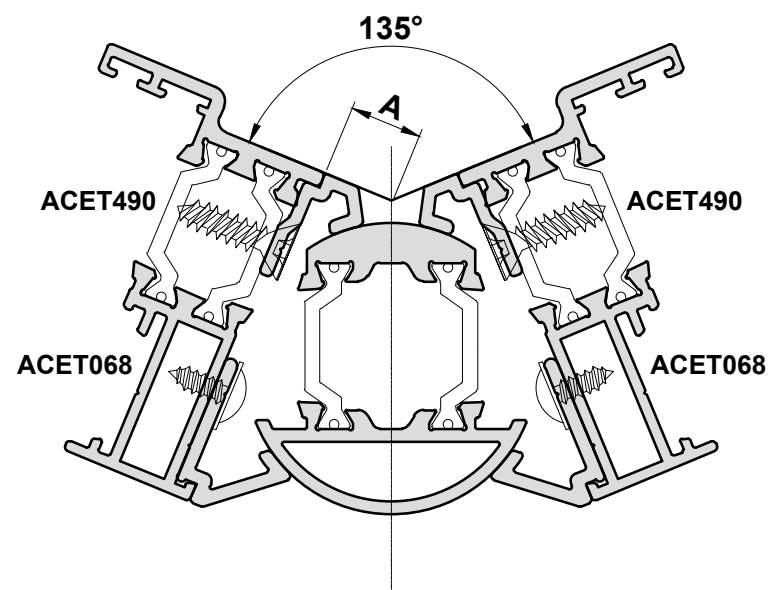
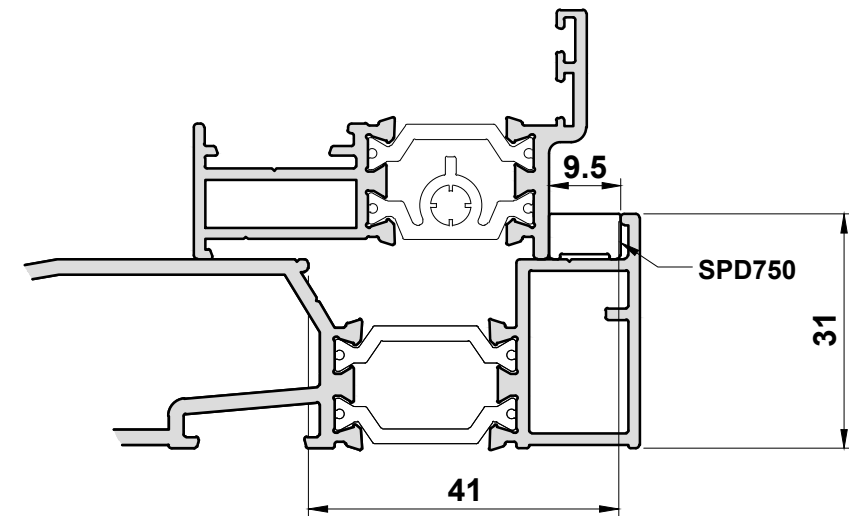
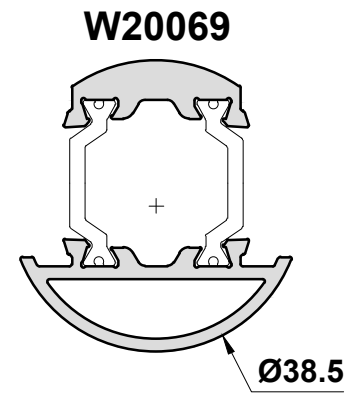
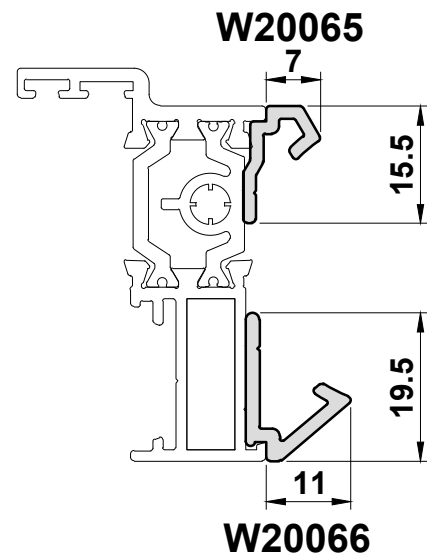


**We recommend the use of Black Spacer Bar in the sealed units**

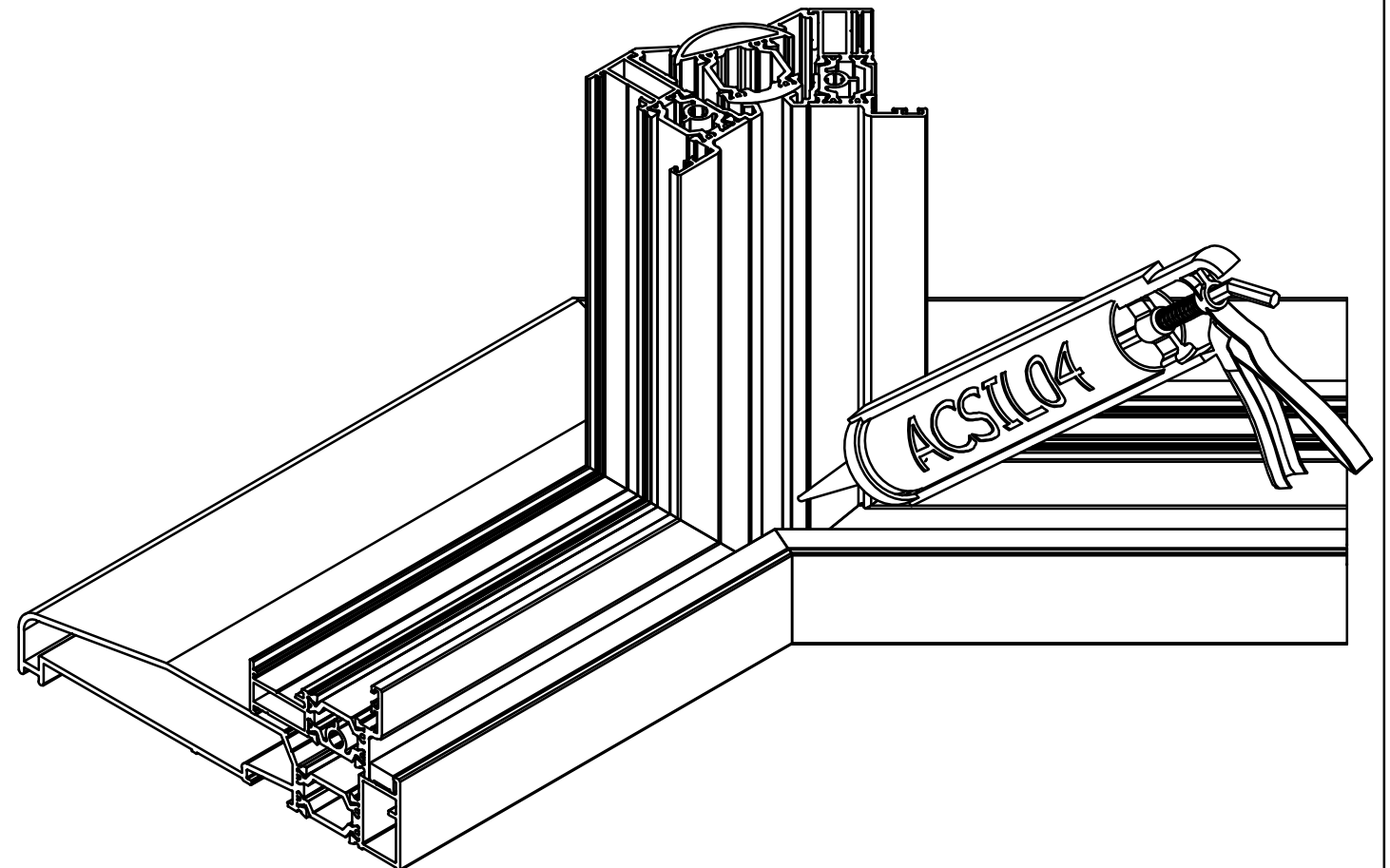
Do Not Scale From This Drawing

W20015 Bay Pole Selection

When using W20069 on a cill, we recommend using SPD750 infill to position the assembly forward over the drainage channel.

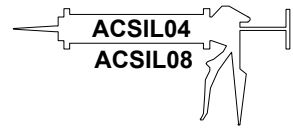
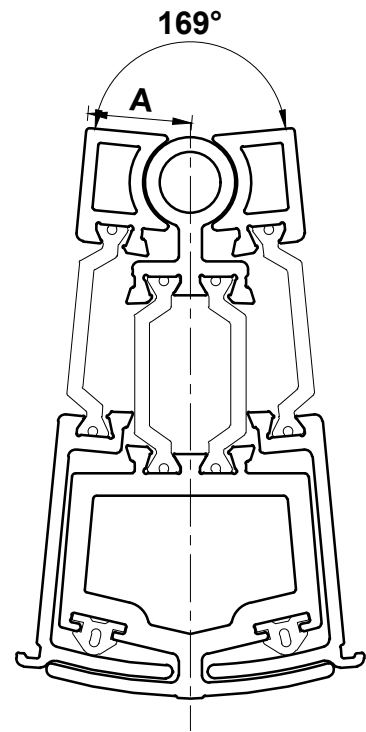


ANGLE	DEDUCTION 'A'
180°	18
175°	17
170°	16
165°	15.5
160°	14.5
155°	13.5
150°	12.5
145°	11.5
140°	10.5
135°	9.5
130°	8.5
125°	7.5
120°	6.5
115°	5



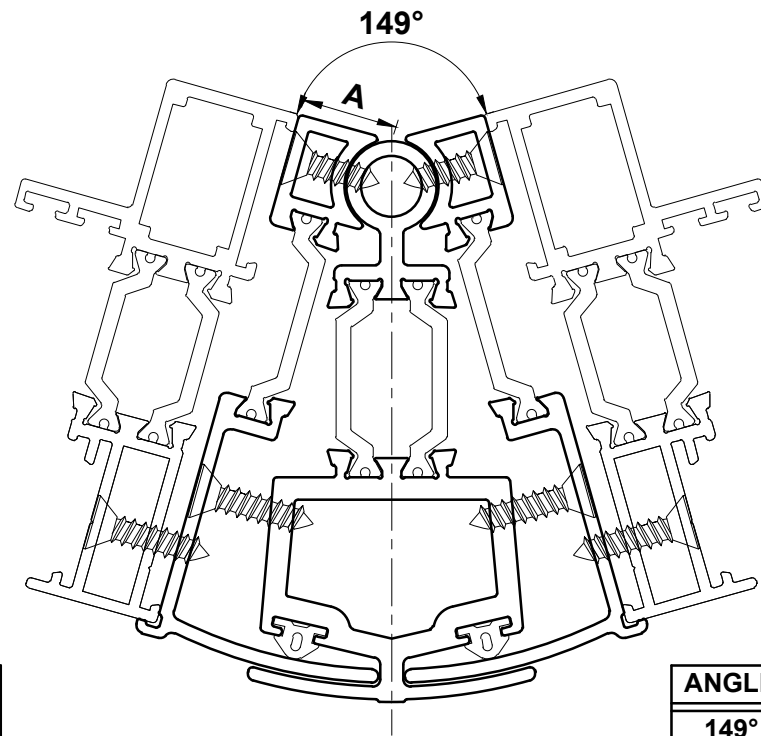
Do Not Scale From This Drawing

W20017 Bay Pole Selection

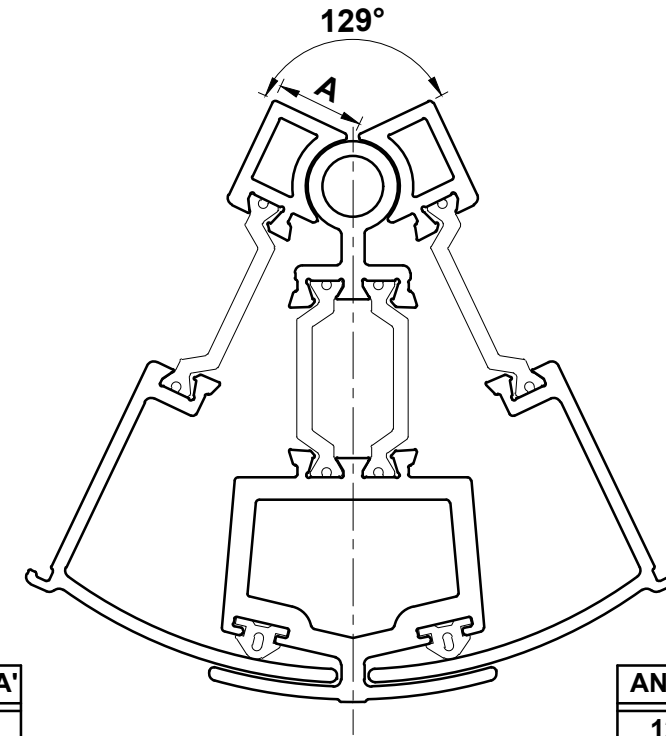


**Important Note:**  
All joints must be adequately sealed using ACSIL04

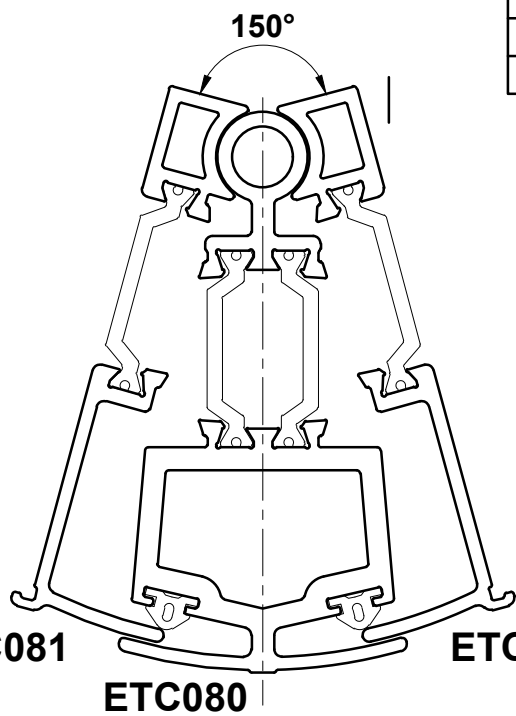
ANGLE	DEDUCTION 'A'
169°	14
165°	13.5
160°	13.6
155°	13
150°	13



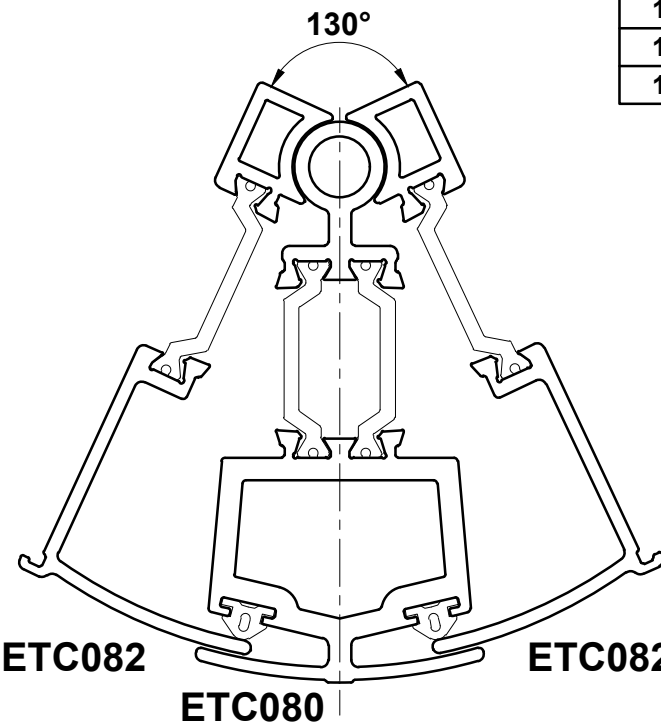
ANGLE	DEDUCTION 'A'
149°	12.5
145°	12.5
140°	12
135°	12
130°	11.5



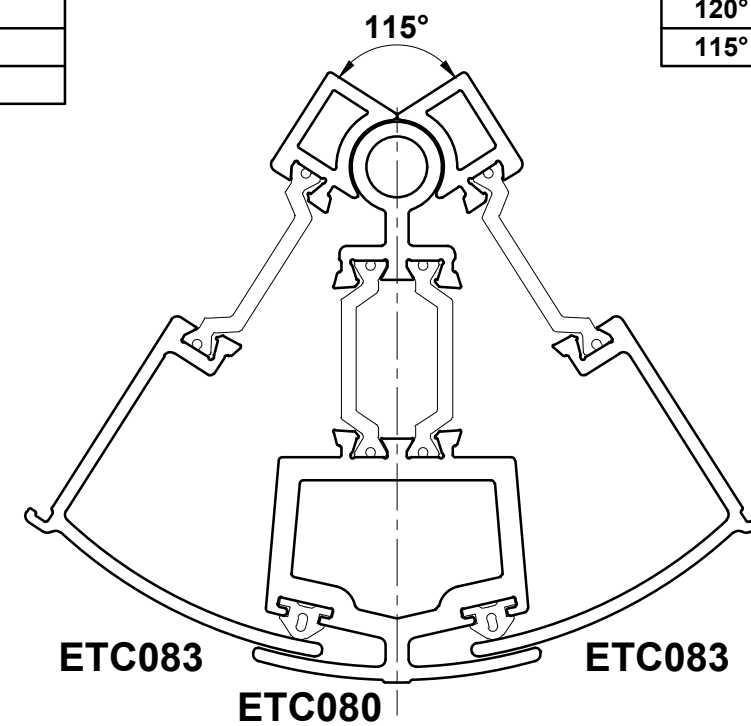
ANGLE	DEDUCTION 'A'
129°	11.5
125°	11.5
120°	11
115°	10.5



ETC081 ETC081  
ETC080



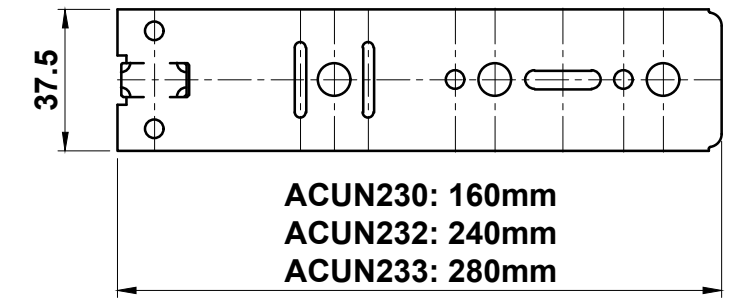
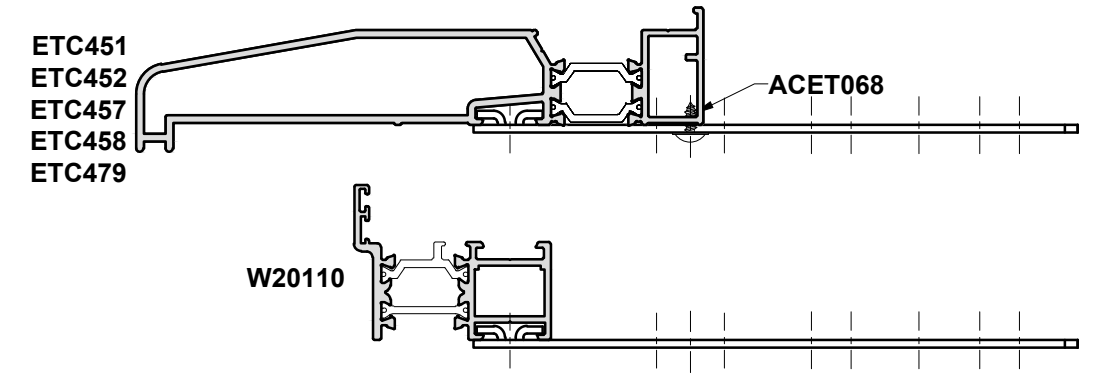
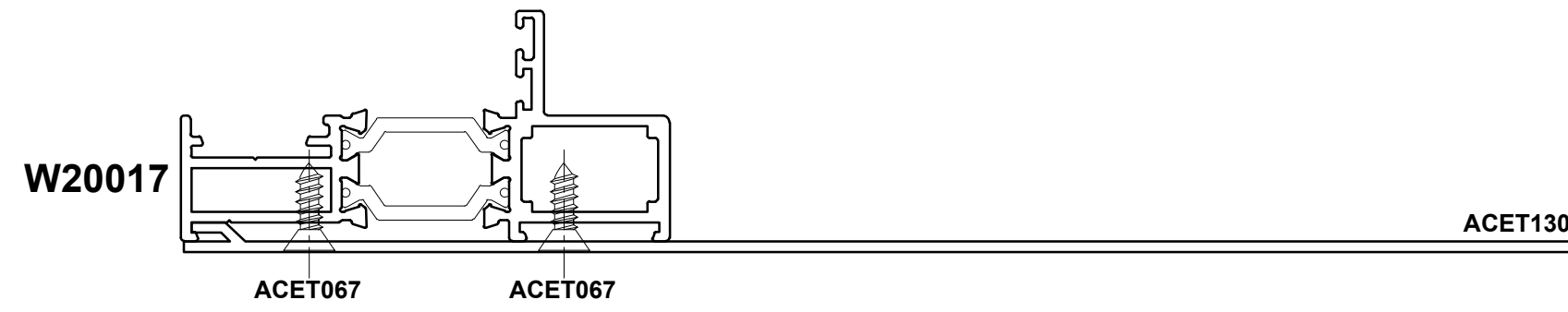
ETC082 ETC082  
ETC080



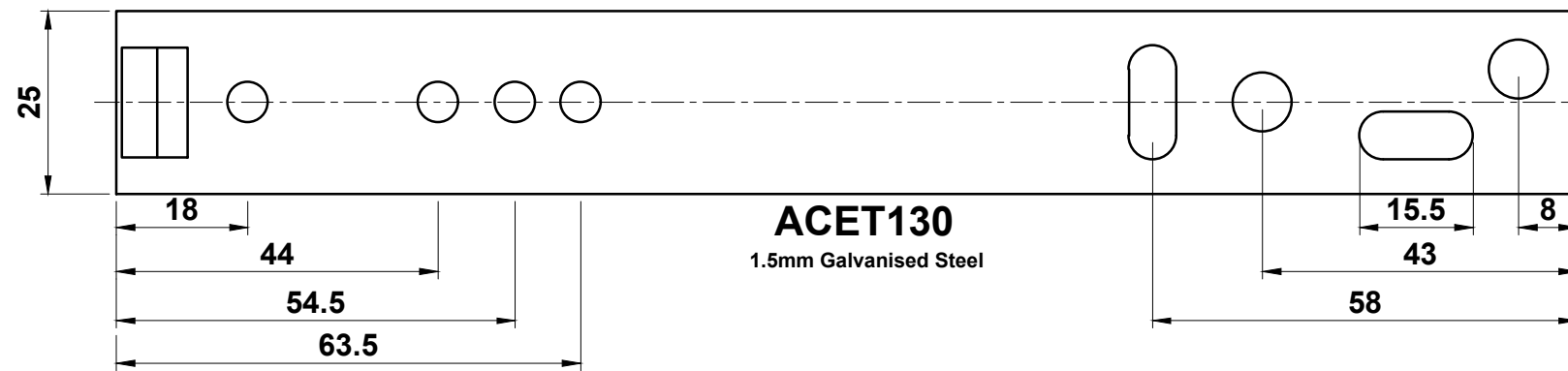
ETC083 ETC083  
ETC080

Do Not Scale From This Drawing

**Fixing Strap Guide**



**NOTE:**  
Fixing straps should be spaced a minimum of 150mm in from each end & at a maximum of 300mm apart.



Do Not Scale From This Drawing

Do Not Scale From This Drawing



**Section F**

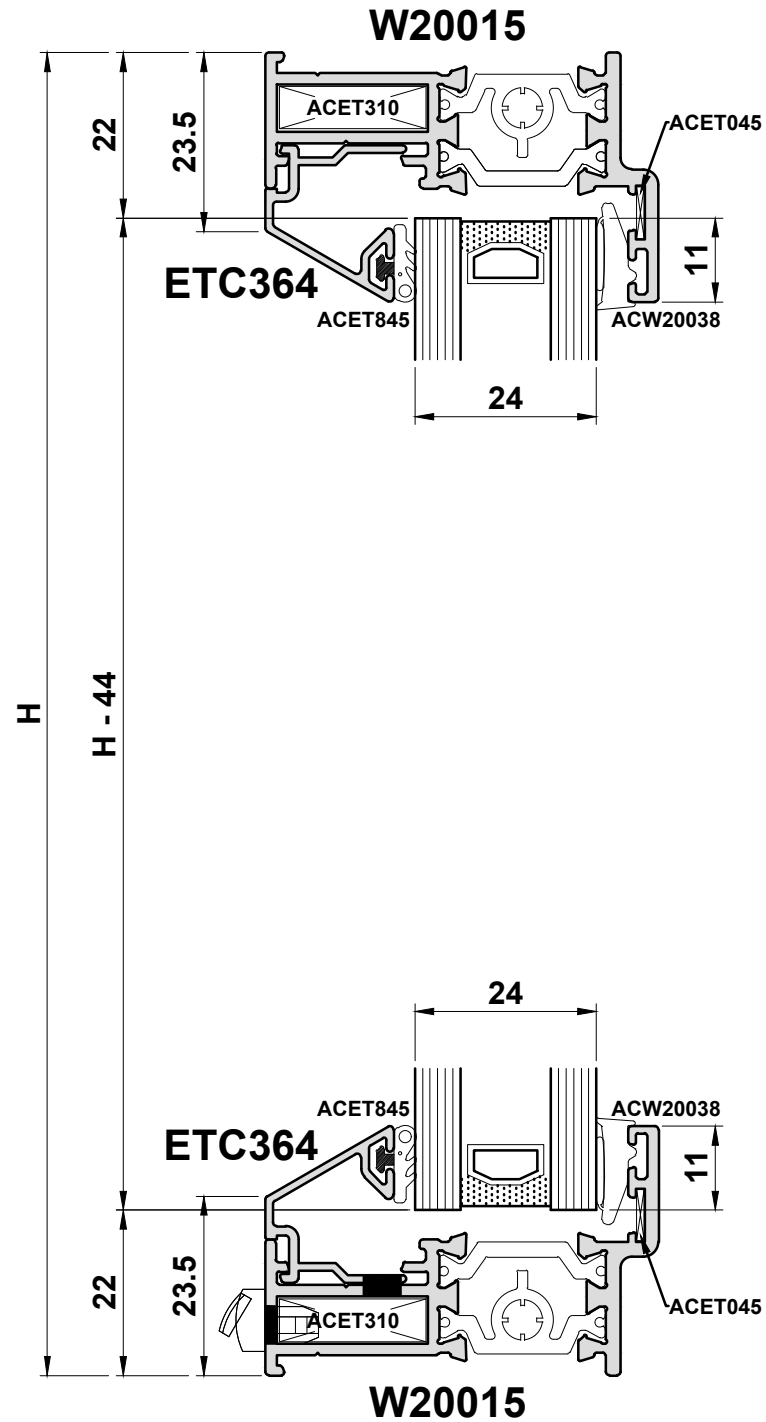


**Sawing Table**

Fixed Light.....	F03 - F05
Side Hung Casement.....	F06 - F07
Top Hung Casement.....	F08
Side Hung Casement Adjacent to Fixed Light.....	F09
Top Hung Over Fixed Light.....	F10
Fixed Light Over Top Hung.....	F11
Side Hung Casement Adjacement to Side Hung Casement.....	F12
Tilt & Turn.....	F13 - F14
Tilt & Turn Adjacent to Fixed Light.....	F15 - F16

**Section F**

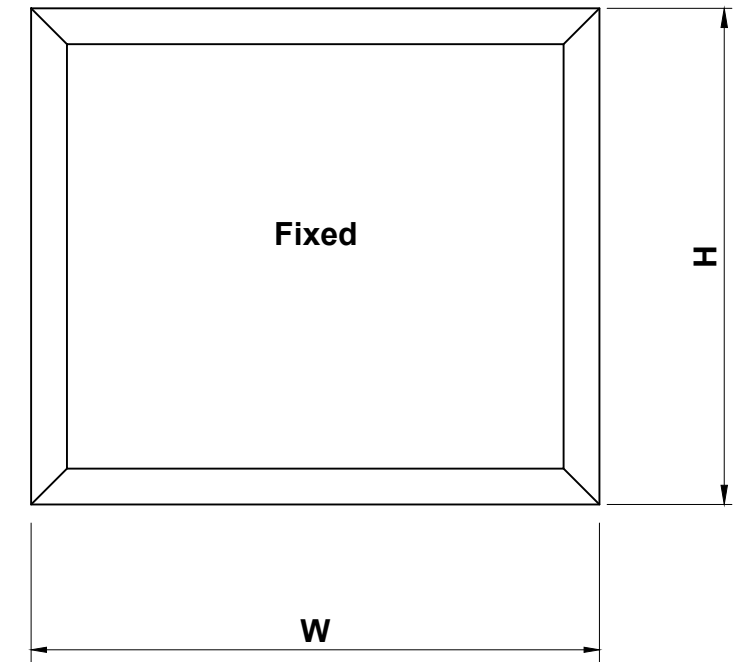
Cutting Information - Fixed Light Frame - Equal Leg W20015



Sections

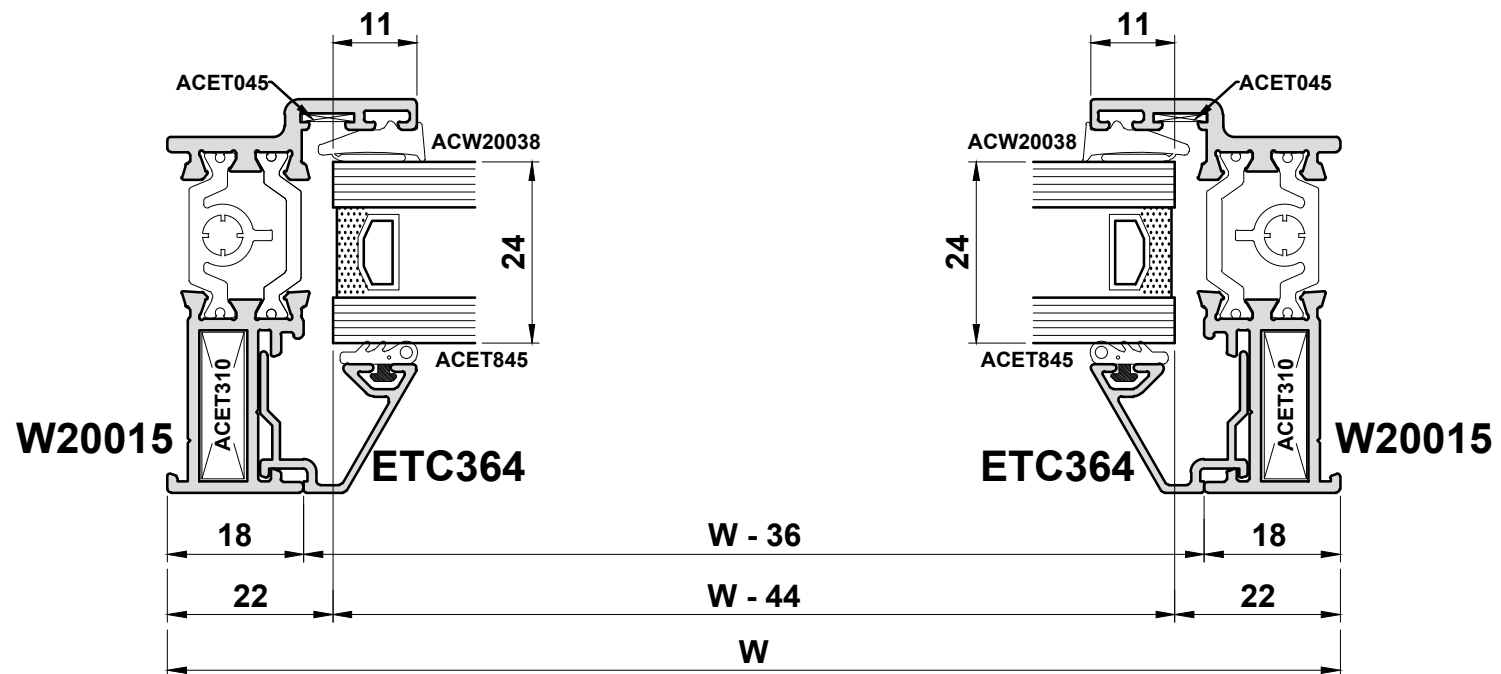
W20015		2		H
W20015		2		W
ETC364		2		W-36
ETC364		2		H-47

<b>Glass</b>
W - 44
H - 44



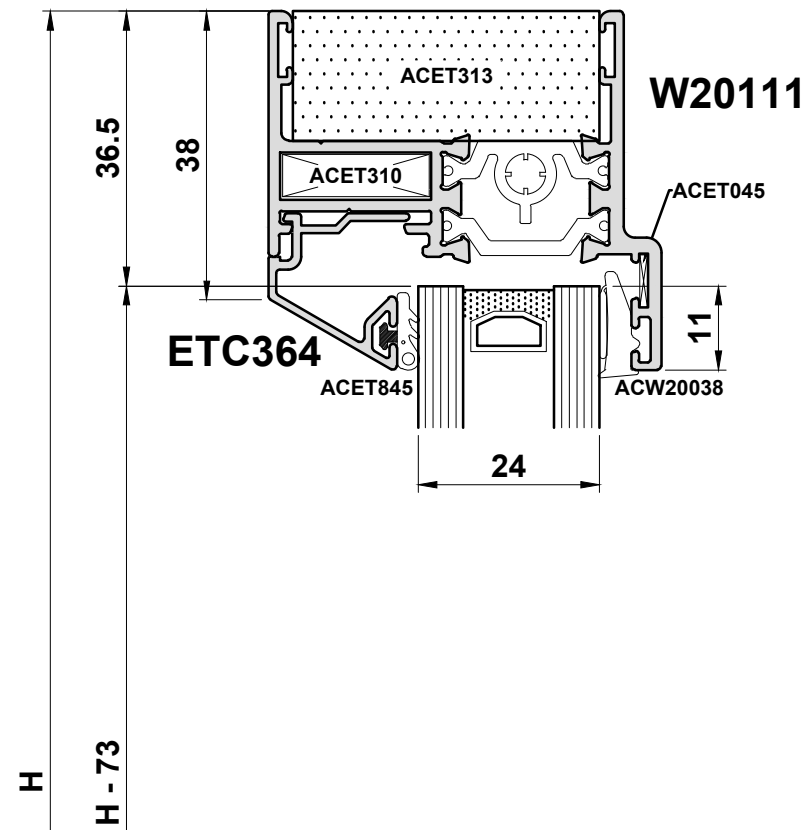
Accessories

ACET045	4	Chevron
ACET310	4	Cleat Outerframe
ACET845	2(W+H)	E Gasket
ACW20038	2(W+H)	Wedge Gasket
ACW20160	4	Outer Frame Screw
ACGSL045	2	Drainage Cap



Do Not Scale From This Drawing

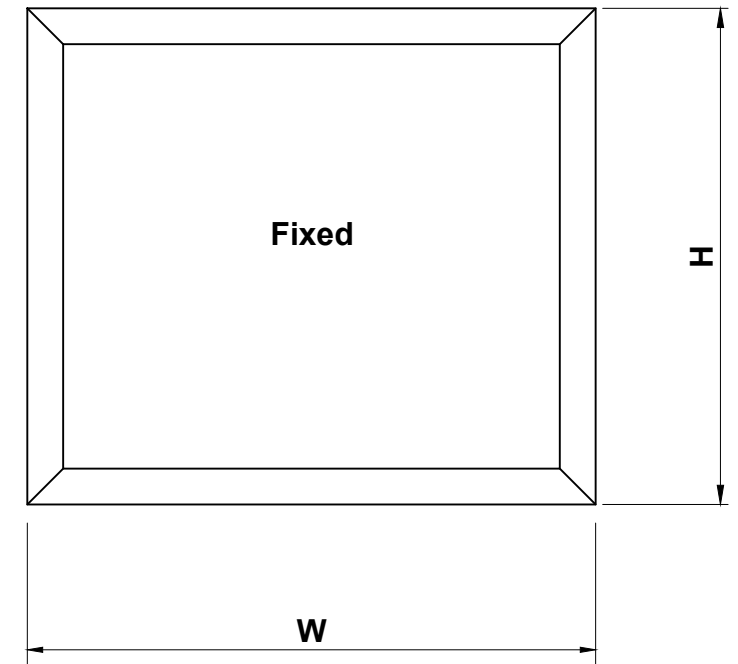
**Cutting Information - Fixed Light Frame - Long Leg W20111**



**Sections**

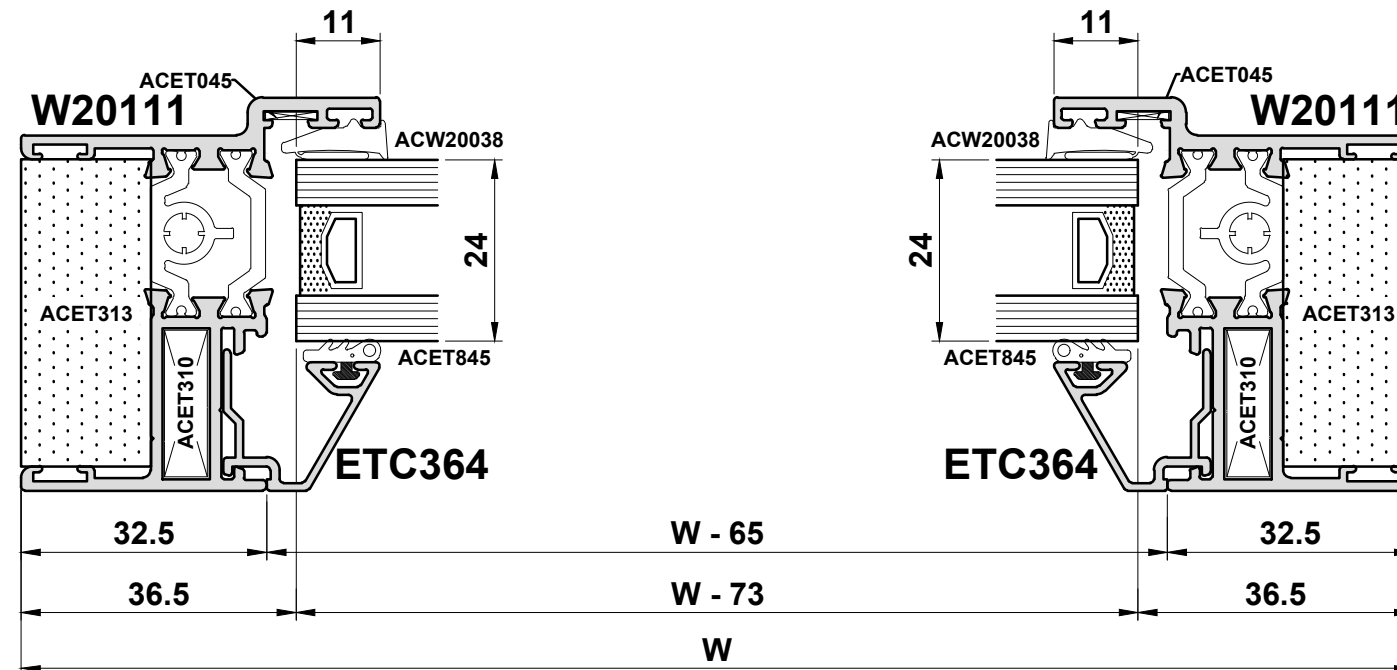
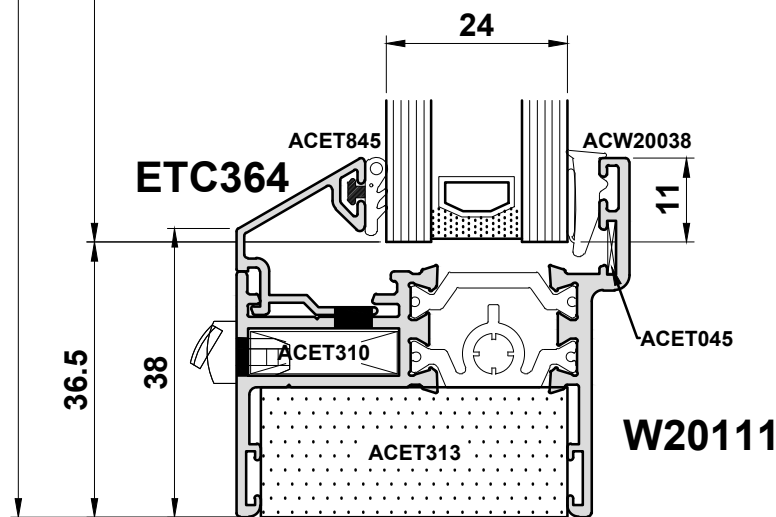
W20111		2		H
W20111		2		W
ETC364		2		W-65
ETC364		2		H-76

<b>Glass</b>
W - 73
H - 73



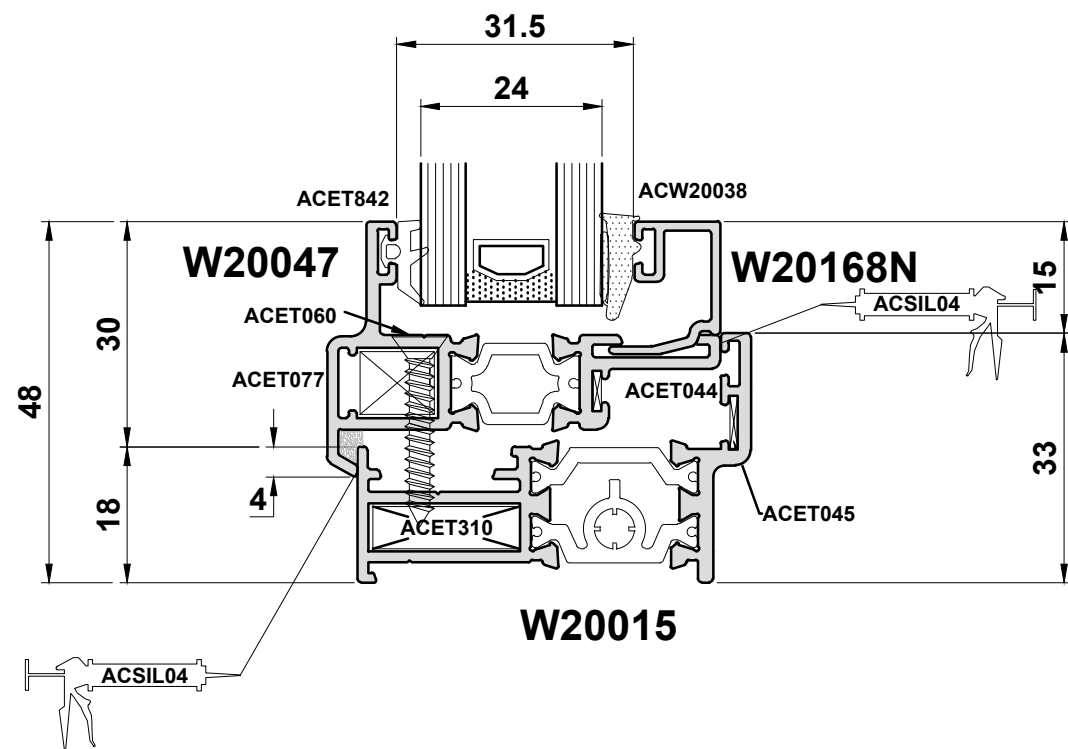
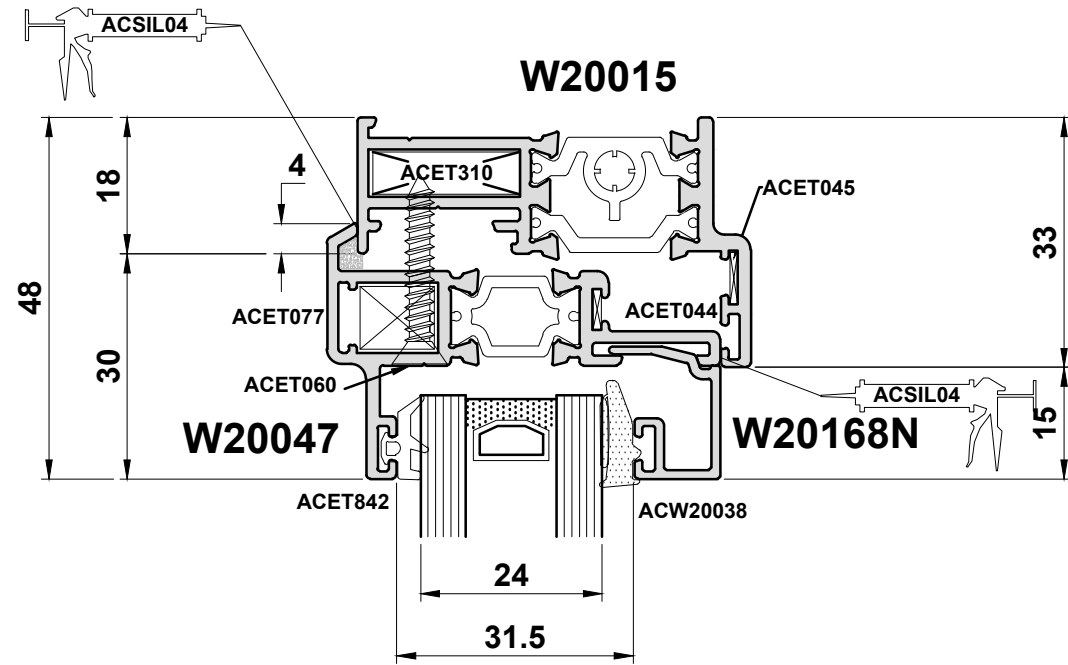
**Accessories**

ACET045	4	Chevron
ACET310	4	Cleat Outerframe
ACET845	2(W+H)	E Gasket
ACW20038	2(W+H)	Wedge Gasket
ACW20160	4	Outer Frame Screw
ACGSL045	2	Drainage Cap
ACET313	2H + 2W	Outerframe Foam



Do Not Scale From This Drawing

**Cutting Information - Fixed Light Frame - With Reverse Adaptor**



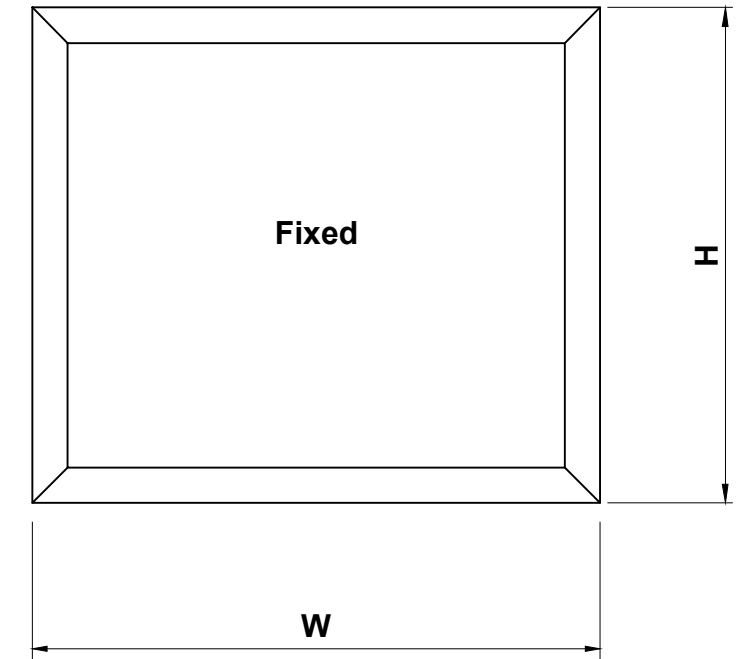
**Sections**

W20015		2		H
W20015		2		W
Bead		2		W-66
Bead		2		H-96
W20047		2		W-28
W20047		2		H-28

**Accessories**

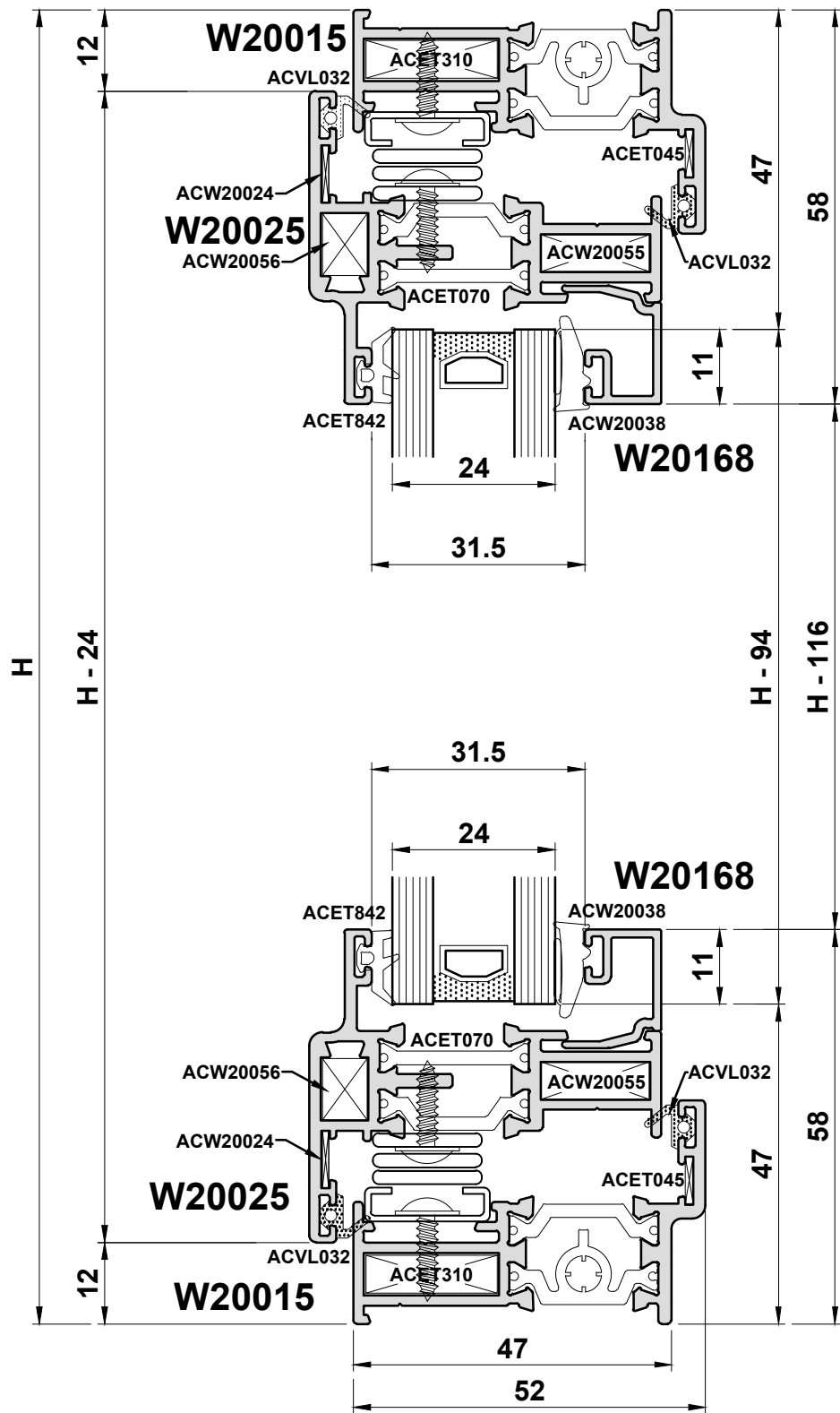
ACET044	4	Stainless Steel : Chevron
ACET045	4	Stainless Steel : Chevron
ACET077	4	Corner Cleat
ACET310	4	Outerframe : Cleat
ACET393	8 +	Packer
ACET842	2(W+H)	E Gasket
ACGSL045	2	Drainage Cap
ACW20038	2(W+H)	Wedge Gasket
ACW20160	4	Outer Frame Screw

Glass
W - 73
H - 73



Do Not Scale From This Drawing

Cutting Information - Vent Frame using W20015 Outer Frame and W20025 Vent



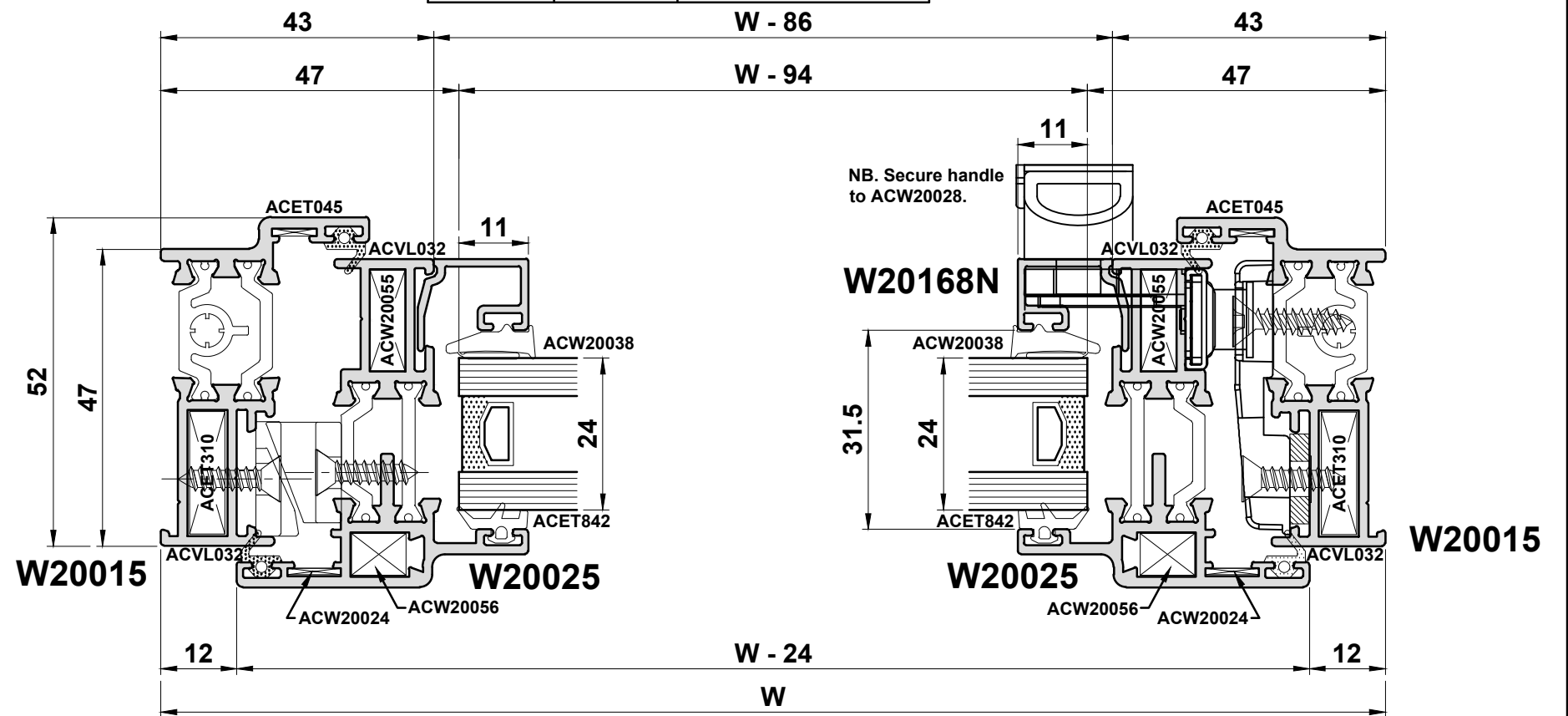
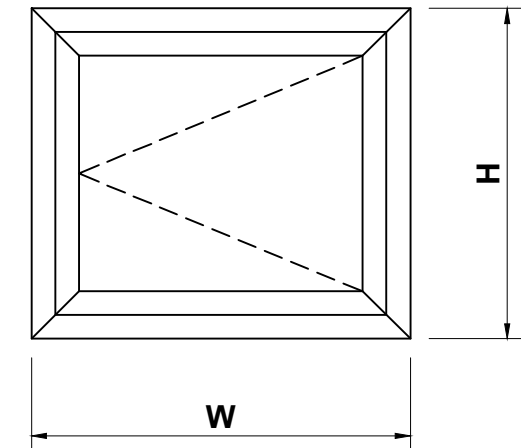
Sections

Section	Profile	Qty	Detail	Code
W20015	W	2	[Profile]	H
W20015	W	2	[Profile]	W
W20025	W	2	[Profile]	H-24
W20025	W	2	[Profile]	W-24
W20168N	W	2	[Profile]	W-86
W20168N	W	2	[Profile]	H-116

Accessories

Accessories	Qty	Description
ACET045	4	Chevron
ACET165	1	Espag Locking Handle
ACET310	4	Cleat Outerframe
ACET352	2 Pairs	Pull-in Blocks
ACET380	1	Run-up Block
ACET394	8	Keep & Stay Packer
ACET513	1	Cavity Hinge Protector
ACET842	2(W+H)	Gasket E
ACGSL045	2	Drainage Cap
ACIN****	2	Friction Stay / Hinge
ACVL032	4(W+H)	Flipper Gasket
ACW20*	1	Reverse Locking Espag
ACW20024	4	Chevron
ACW20028	1	Handle Fixing Block
ACW20038	2(W+H)	Wedge Gasket
ACW20055	4	Cleat Ventframe
ACW20056	4	Cleat Ventframe
ACW20160	4	Outer Frame Screw

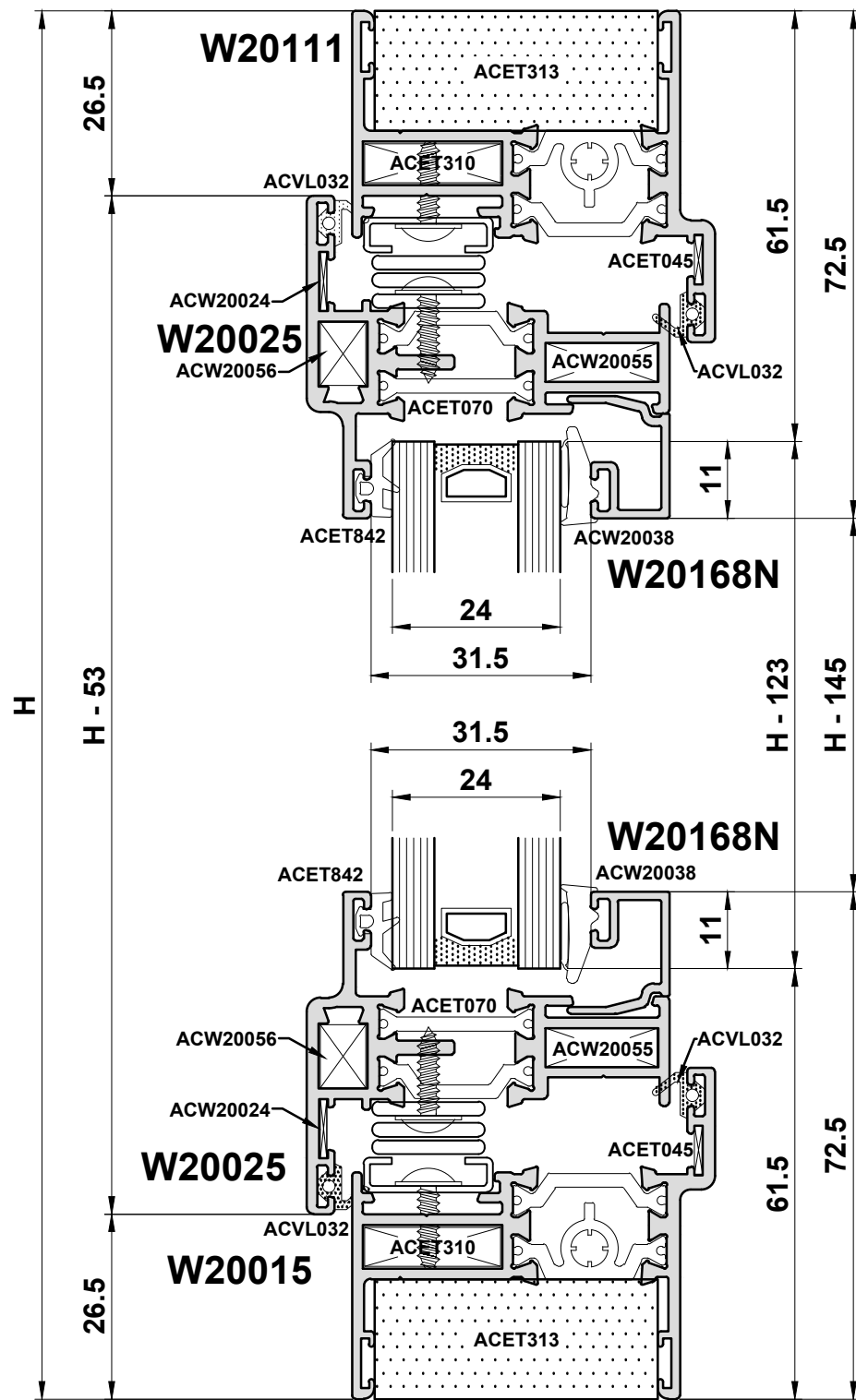
Glass
W - 94
H - 94



NB. Secure handle to ACW20028.

Do Not Scale From This Drawing

Cutting Information - Vent Frame using W20111 Outer Frame and W20025 Vent



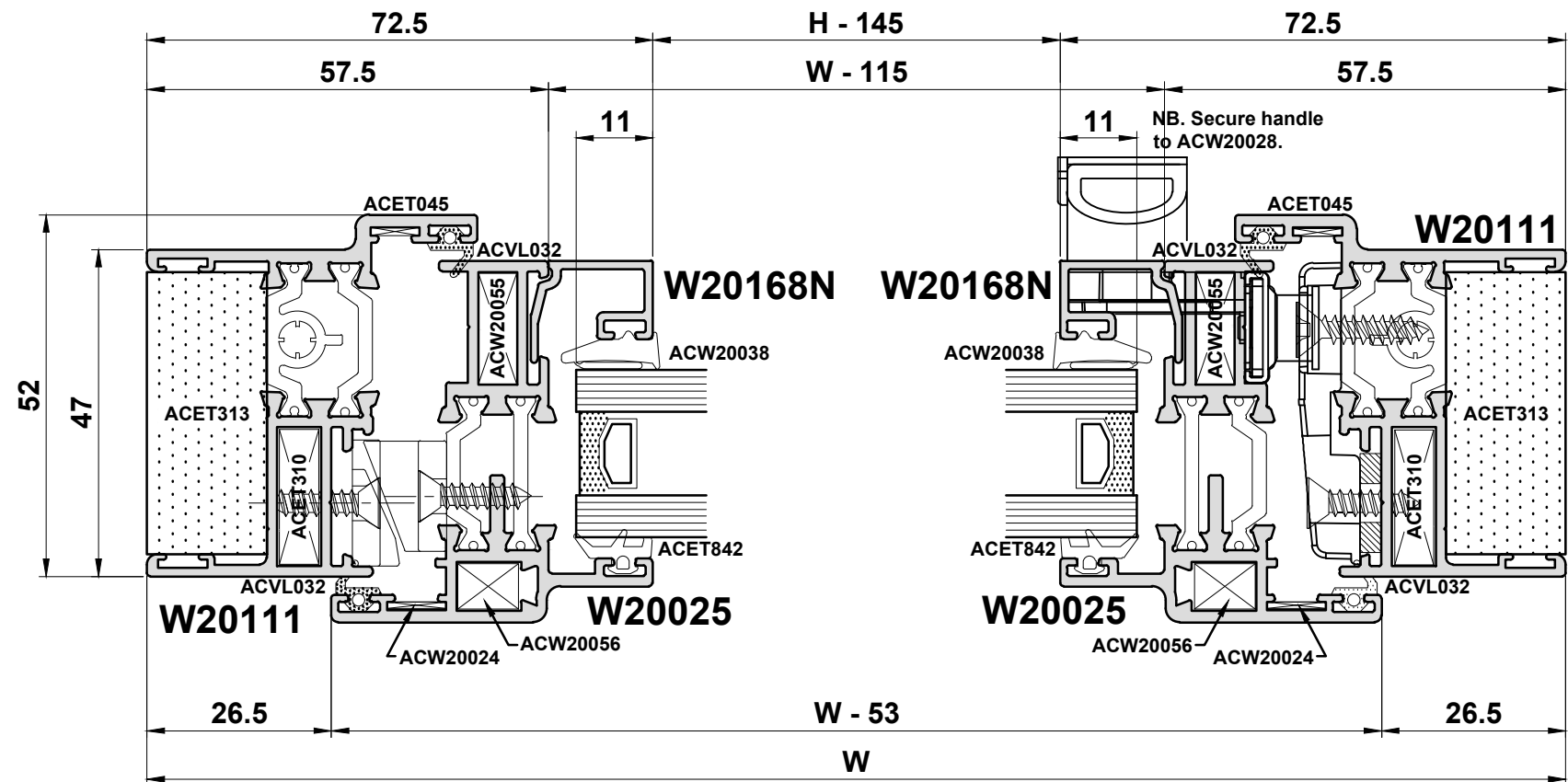
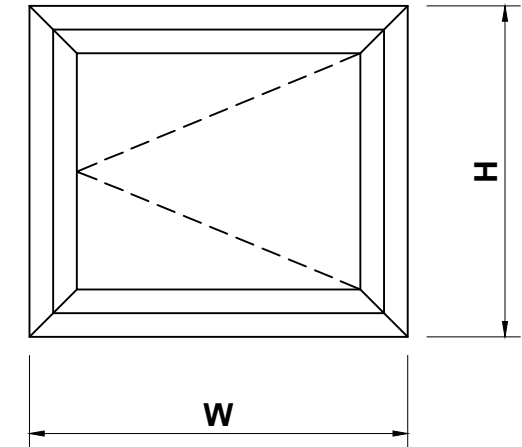
Sections

W20111		2		H
W20111		2		W
W20025		2		H-53
W20025		2		W-53
W20168N		2		W-115
W20168N		2		H-145

Accessories

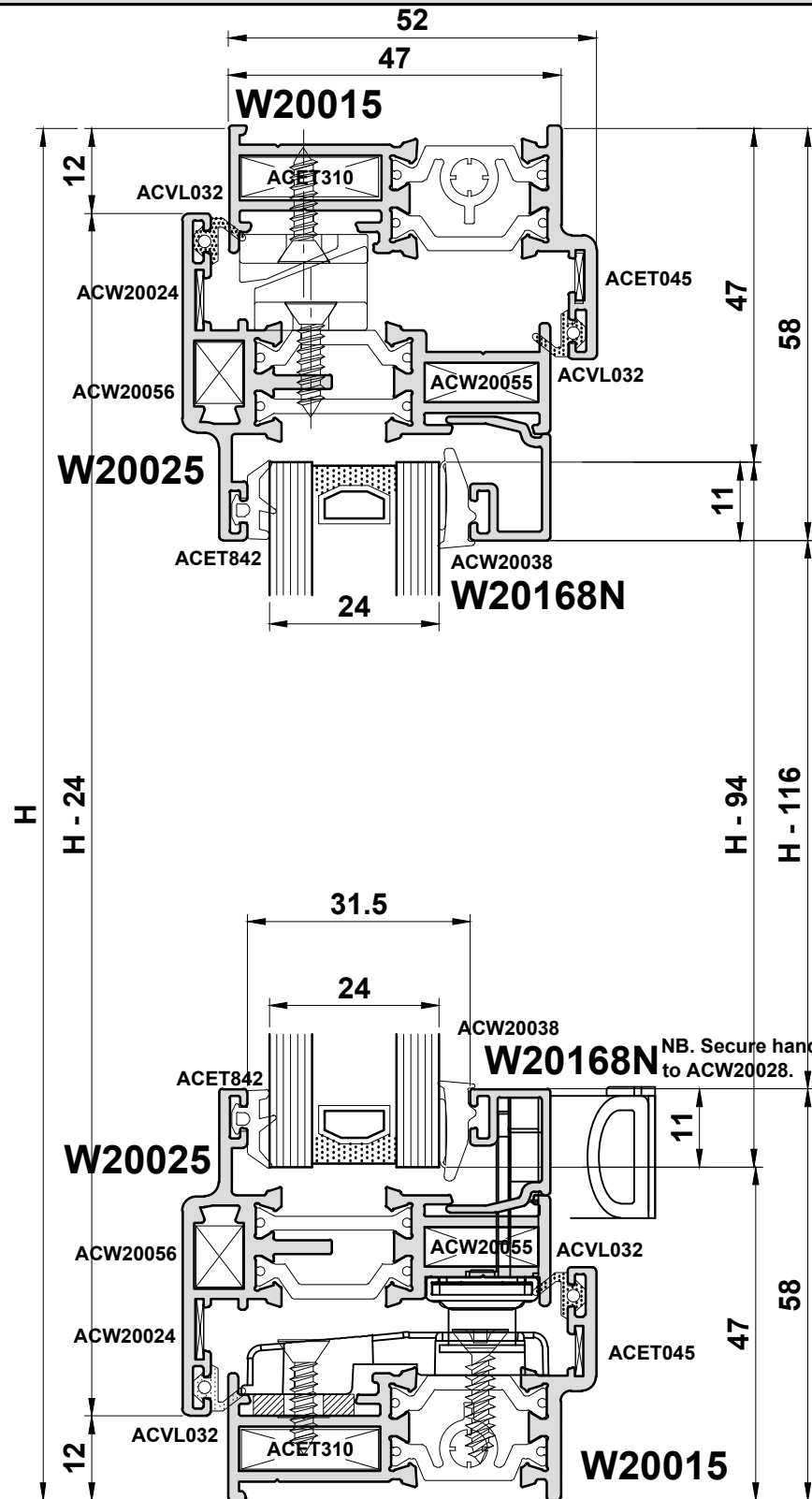
ACET045	4	Chevron
ACET165	1	Espag Locking Handle
ACET310	4	Cleat Outerframe
ACET352	2 Pairs	Pull-in Blocks
ACET380	1	Run-up Block
ACET394	8	Keep & Stay Packer
ACET513	1	Cavity Hinge Protector
ACET842	2(W+H)	Gasket E
ACGSL045	2	Drainage Cap
ACIN****	2	Friction Stay / Hinge
ACVL032	4(W+H)	Flipper Gasket
ACW20*	1	Reverse Locking Espag
ACW20024	4	Chevron
ACW20028	1	Handle Fixing Block
ACW20038	2(W+H)	Wedge Gasket
ACW20055	4	Cleat Ventframe
ACW20056	4	Cleat Ventframe
ACW20160	4	Outer Frame Screw
ACET313	2H + 2W	Outerframe Foam

Glass
W - 123
H - 123



Do Not Scale From This Drawing

Cutting Information - Vent Frame using W20015 Outer Frame and W20025 Vent



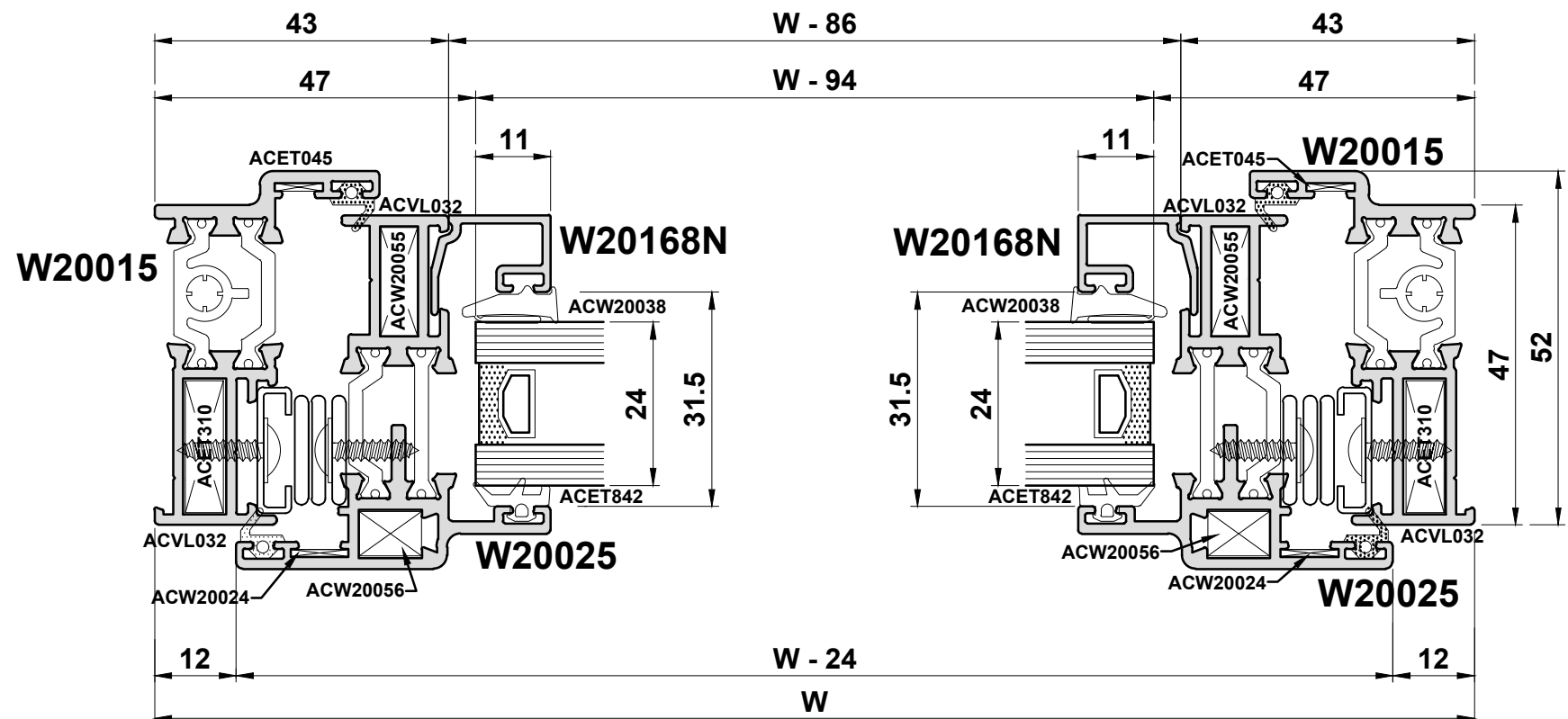
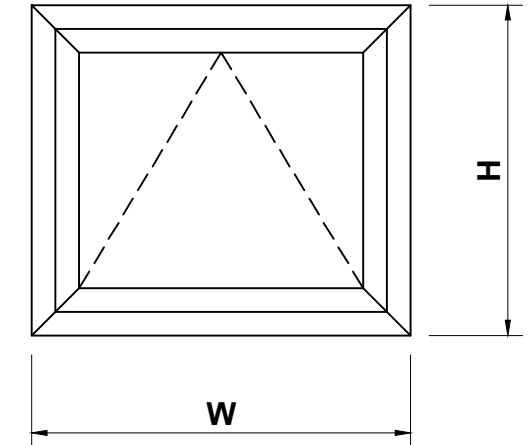
Sections

W20015		2		H
W20015		2		W
W20025		2		H-24
W20025		2		W-24
W20168N		2		W-86
W20168N		2		H-116

Accessories

ACET045	4	Chevron
ACET165	1	Espag Locking Handle
ACET380	1	Run-up Block
ACET394	8	Keep & Stay Packer
ACET513	1	Cavity Hinge Protector
ACET842	2(W+H)	Gasket E
ACGSL045	2	Drainage Cap
ACIN****	2	Friction Stay / Hinge
ACVL032	4(W+H)	Flipper Gasket
ACW20*	1	Reverse Locking Espag
ACW20024	4	Chevron
ACW20028	1	Handle Fixing Block
ACW20038	2(W+H)	Wedge Gasket
ACW20055	4	Cleat Ventframe
ACW20056	4	Cleat Ventframe
ACW20160	4	Outer Frame Screw
ACET310	4	Cleat Outerframe

Glass
W - 94
H - 94

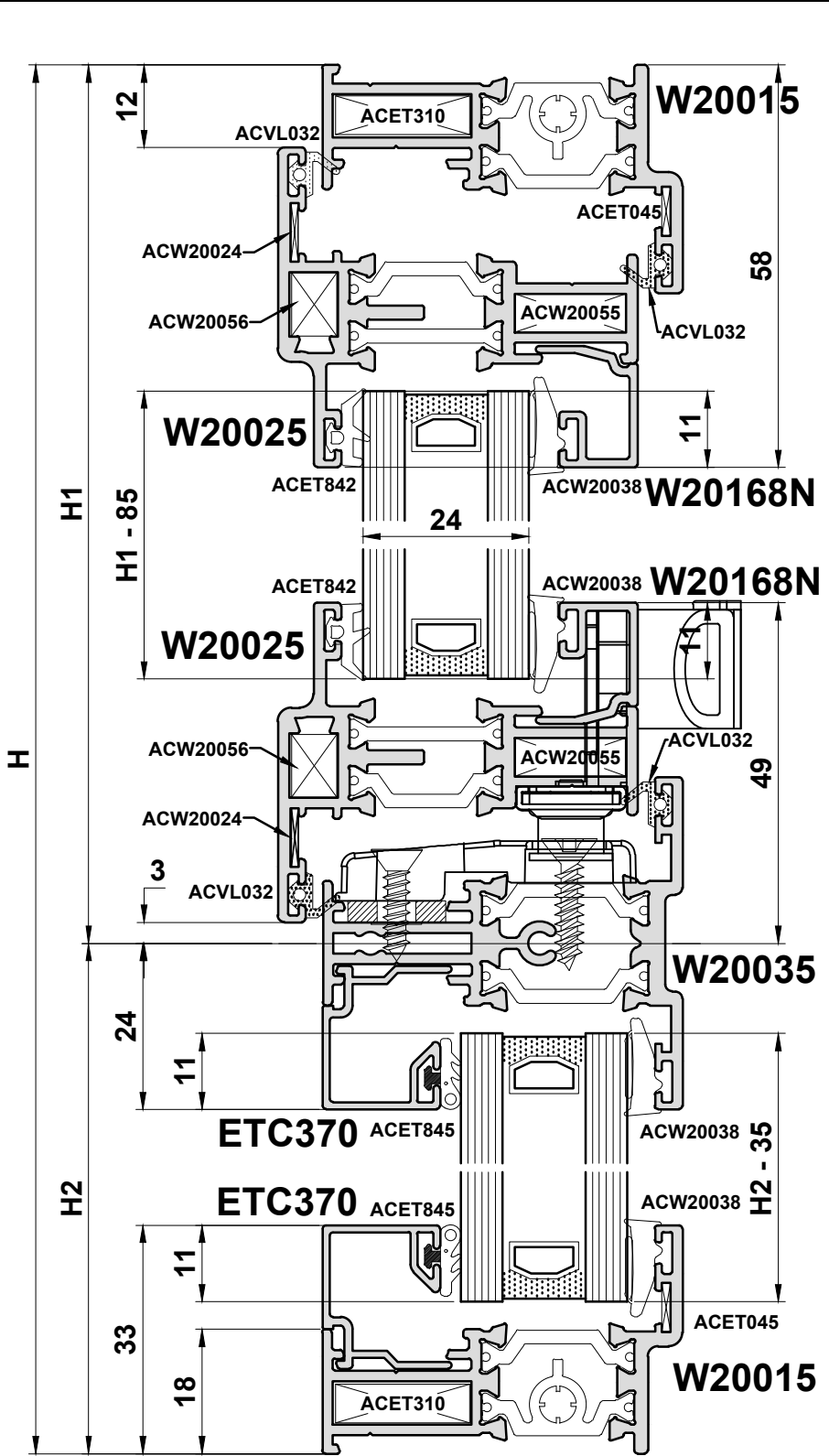


Do Not Scale From This Drawing





**Cutting Information - Opening Vent over Fixed Light**



**Profiles**

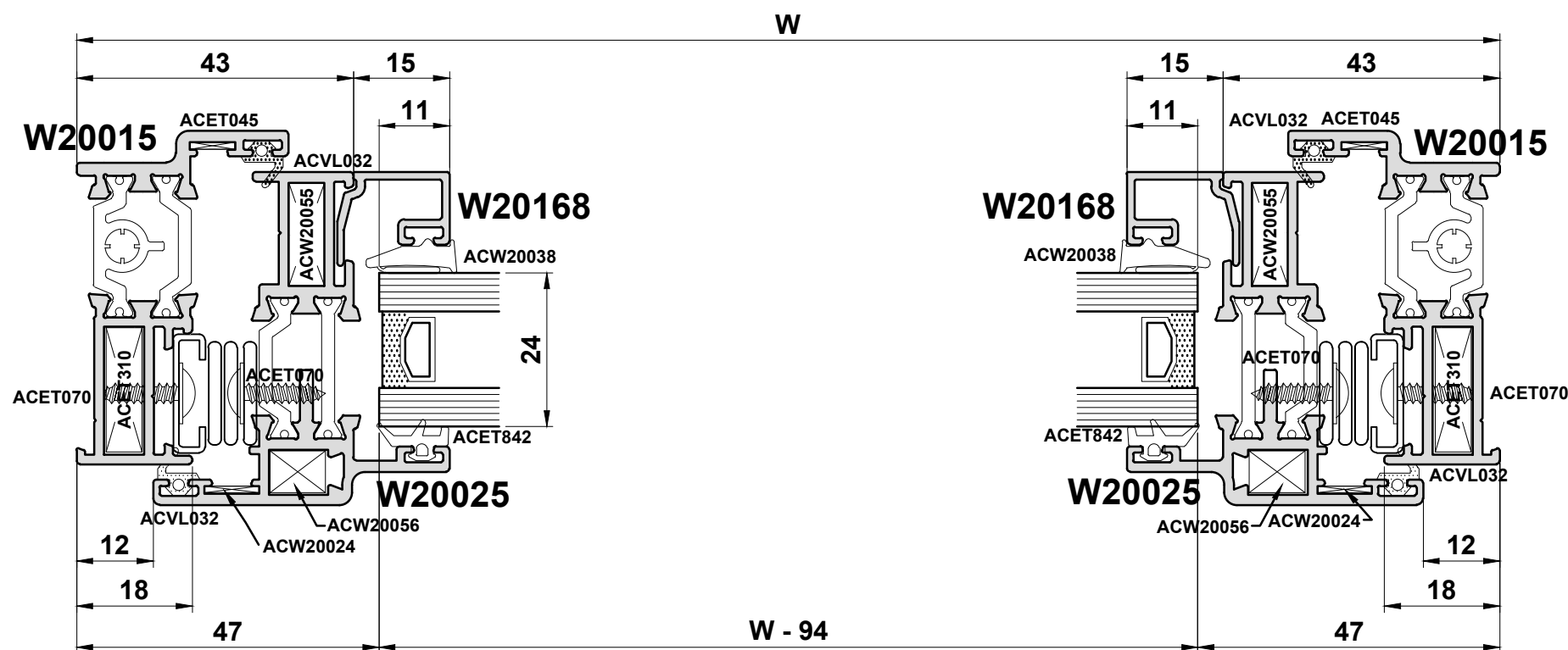
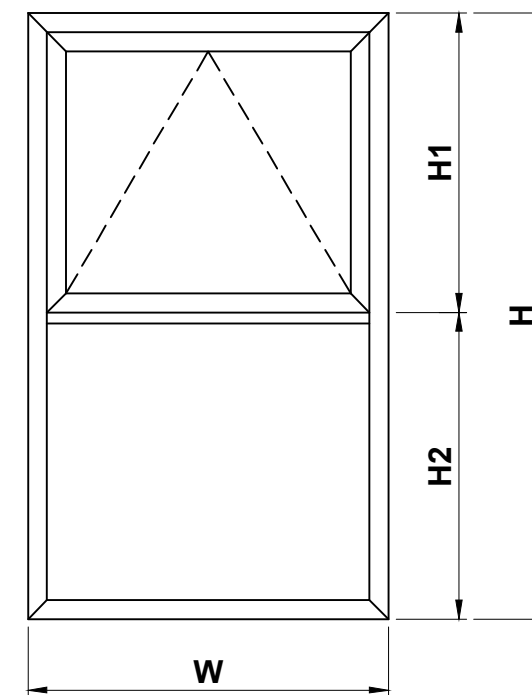
W20015		2		H
W20015		2		W
W20025		2		W - 24
W20025		2		H1 - 15
W20035		1		W - 36
W20168N		2		W - 86
ETC370		2		W - 36
W20168N		2		H1 - 107
ETC370		2		H2 - 57

**Glass**

W - 94 x H1 - 85
W - 44 x H2 - 35

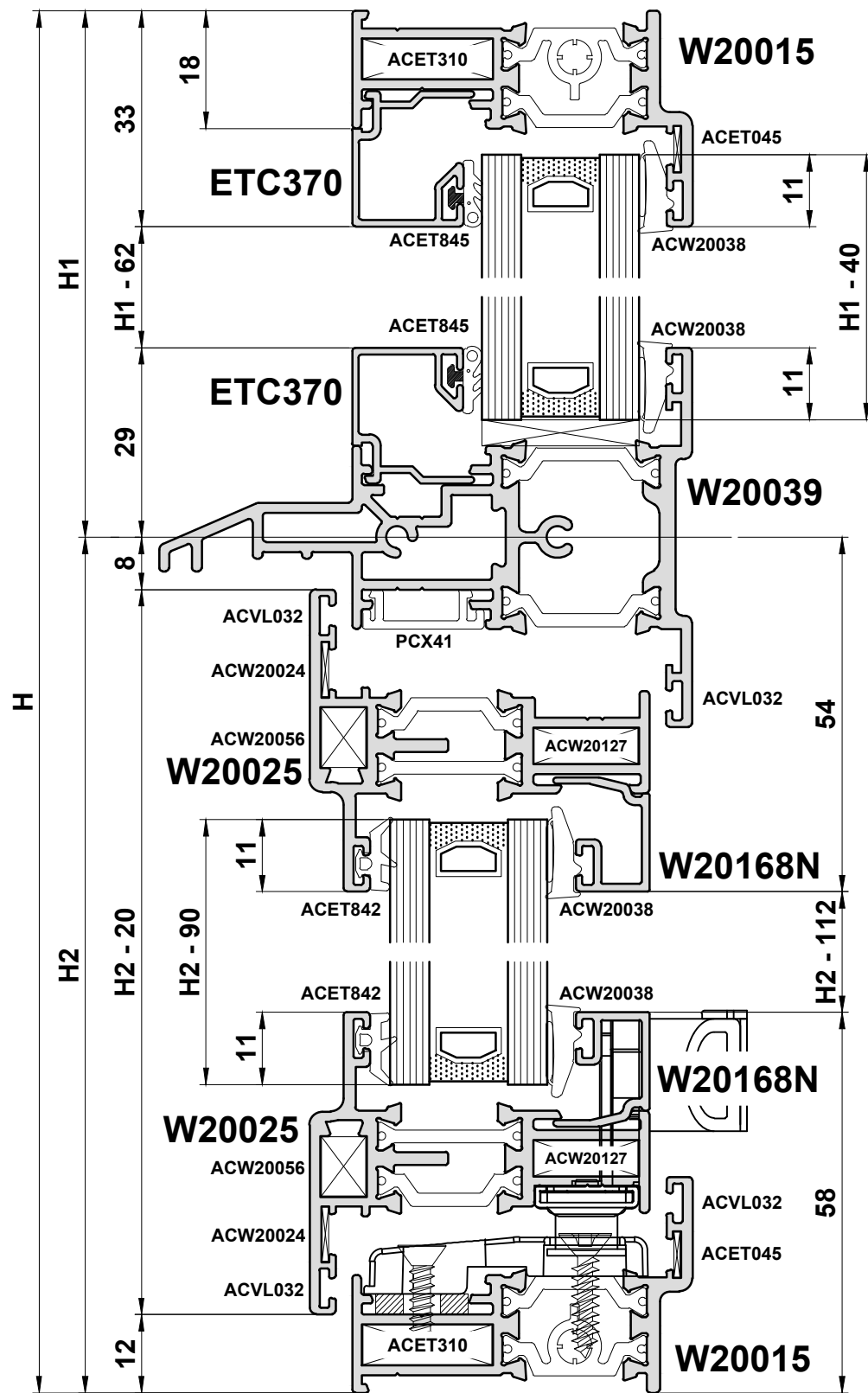
**Accessories**

ACET045	4	Chevron
ACET114	2	Anti-Twist Clip
ACET165	1	Espag Locking Handle
ACET310	4	Cleat Outerframe
ACET334	2	PVC Transom Loc. Block
ACET352	2 Pairs	Pull-in Blocks (Optional)
ACET380	2	Run-up Block
ACET394	8	Keep & Stay Packer
ACET845	4H + 2W	Gasket E
ACGSL045	2	Drainage Cap
ACVL032	4(H)	Flipper Gasket
ACVL032	4(W)	Flipper Gasket
ACW20*	1	Reverse Locking Espag
ACW20024	4	Chevron
ACW20028	1	Handle Fixing Block
ACW20038	4H + 2W	Wedge Gasket
ACW20055	4	Cleat Ventframe
ACW20056	4	Cleat Ventframe
ACW20160	4	Outer Frame Screw
ACIN***	2	Friction Stays



Do Not Scale From This Drawing

**Cutting Information - Fixed Light over Vent**



**Profiles**

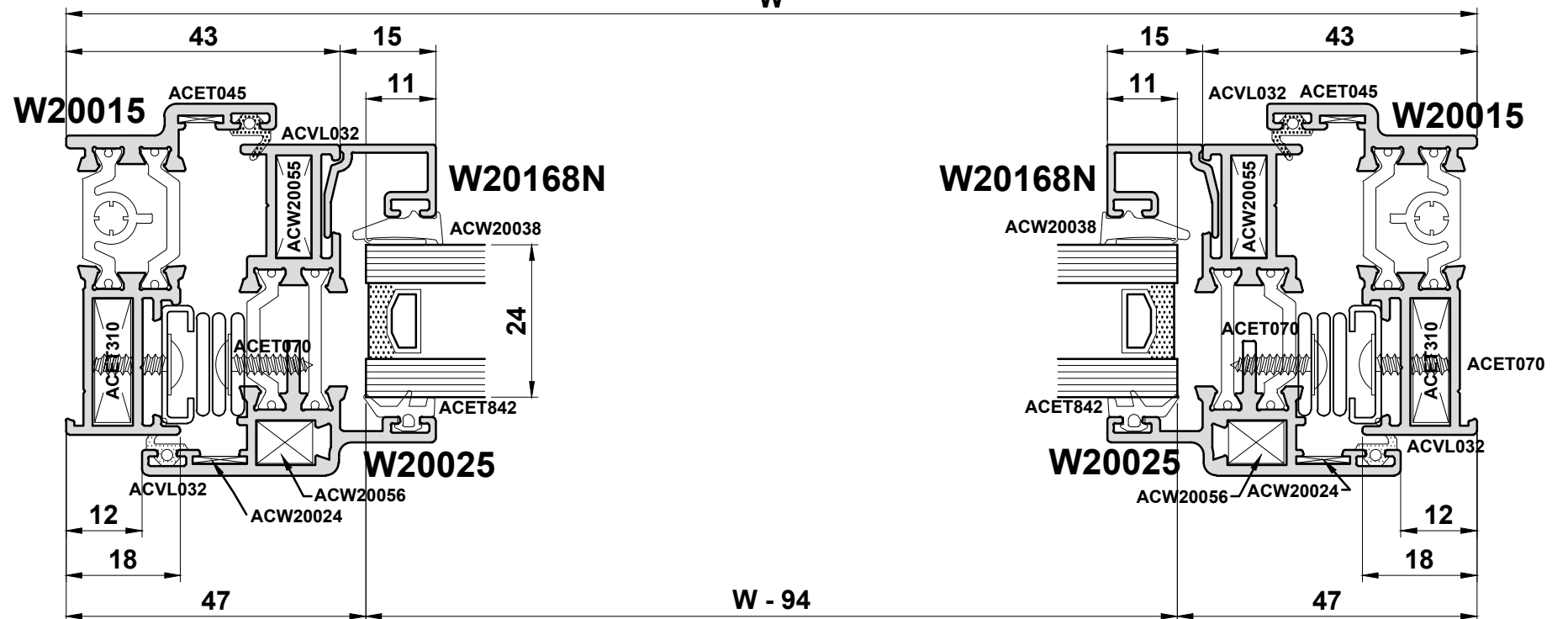
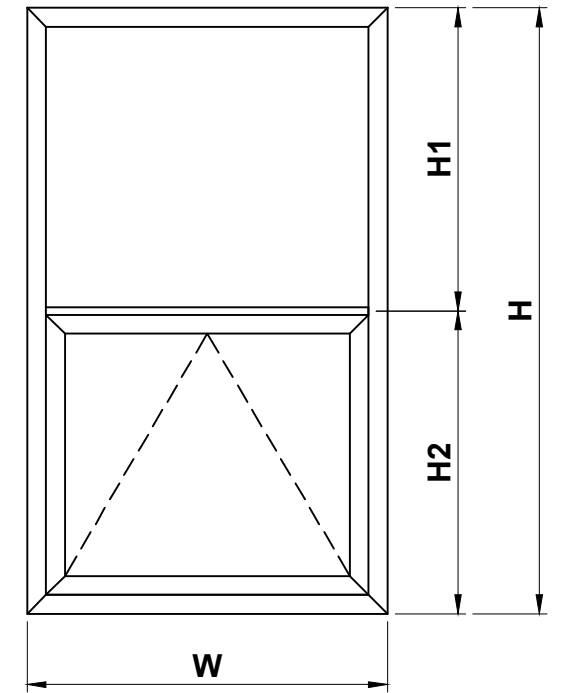
W20015		2	H
W20015		2	W
W20025		2	W - 24
W20025		2	H2 - 20
W20035		1	W - 36
W20168N		2	W - 86
ETC370		2	W - 36
W20168N		2	H1 - 112
ETC370		2	H2 - 62

**Glass**

W - 43 x H1 - 40
W - 94 x H2 - 112

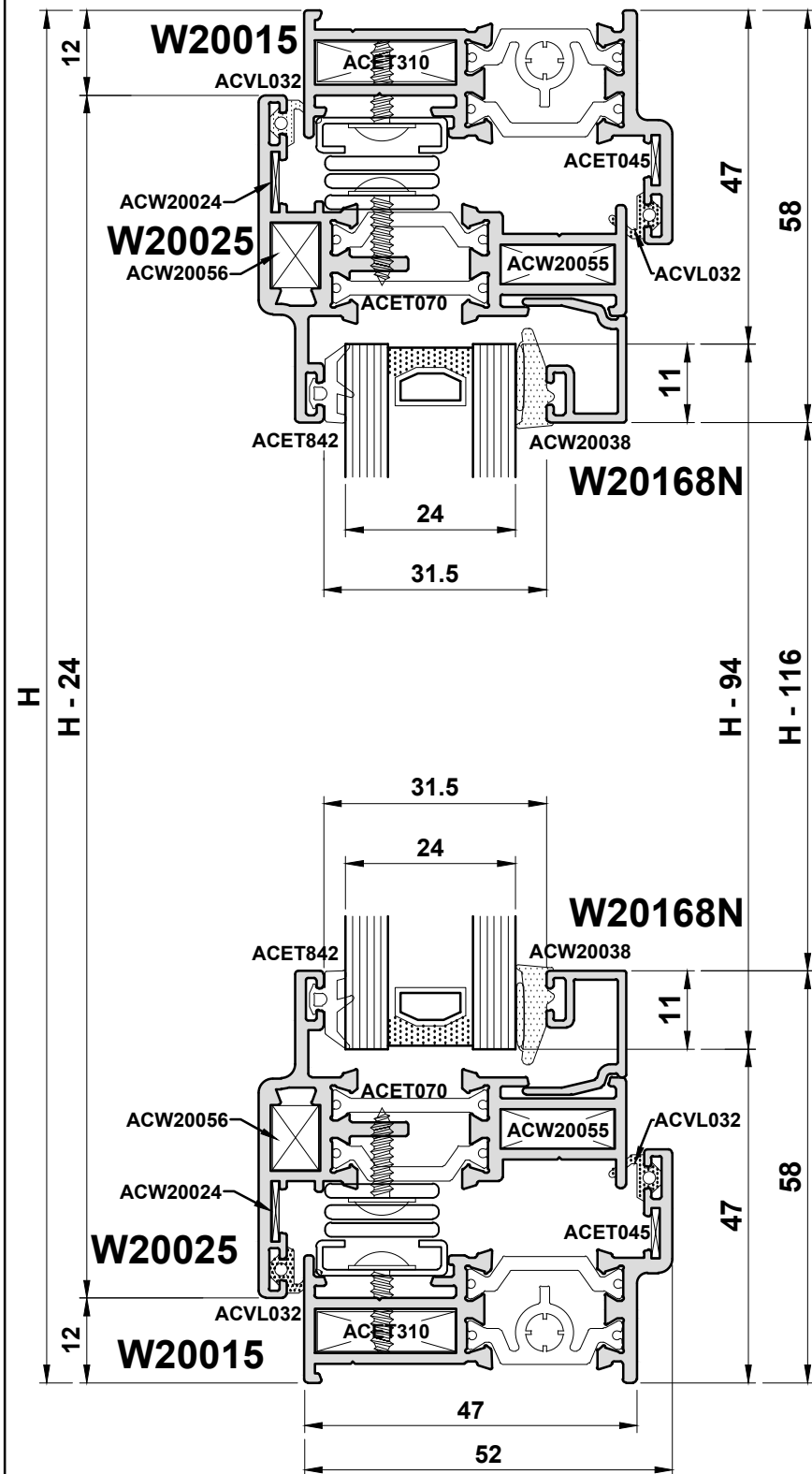
**Accessories**

ACET045	4	Chevron
ACET114	2	Anti-Twist Clip
ACET165	1	Espag Locking Handle
ACET310	4	Cleat Outerframe
ACET334	2	PVC Transom Loc. Block
ACET352	2 Pairs	Pull-in Blocks (Optional)
ACET380	2	Run-up Block
ACET394	8	Keep & Stay Packer
ACET845	4H + 2W	Gasket E
ACGSL045	2	Drainage Cap
ACVLO32	4(H)	Flipper Gasket
ACVLO32	4(W)	Flipper Gasket
ACW20*	1	Reverse Locking Espag
ACW20024	4	Chevron
ACW20028	1	Handle Fixing Block
ACW20038	4H + 2W	Wedge Gasket
ACW20055	4	Cleat Ventframe
ACW20056	4	Cleat Ventframe
ACW20039	1 Pair	W20039 End Caps
ACW20160	4	Outer Frame Screw
ACIN***	2	Friction Stays



Do Not Scale From This Drawing

Cutting Information - Opening Vent adjacent to Opening Vent



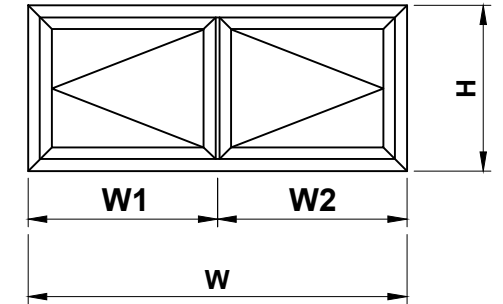
Profiles

W20015		2		H
W20015		2		W
W20025		4		H - 24
W20025		2		W1 - 15
W20025		2		W2 - 15
W20035		1		H - 36
W20168N		4		H - 116
W20168N		2		W1 - 77
W20168N		2		W2 - 77

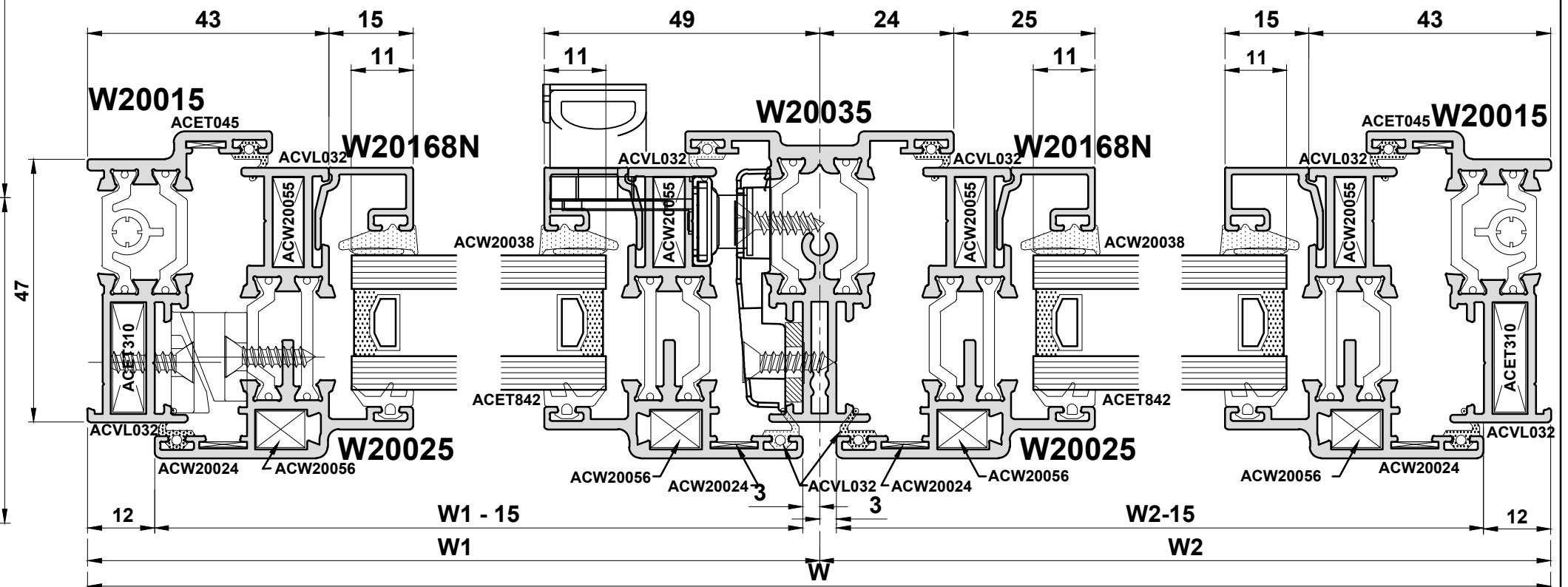
Accessories

ACET045	4	Chevron
ACET114	2	Anti-Twist Clip
ACET165	2	Espag Locking Handle
ACET310	4	Cleat Outerframe
ACET352	4 Pairs	Pull-in Blocks
ACET380	2	Run-up Block
ACET394	8	Keep & Stay Packer
ACGSL045	2	Drainage Cap
ACVL032	4(H)	Flipper Gasket
ACVL032	4(W)	Flipper Gasket
ACW20*	2	Reverse Locking Espag
ACW20024	8	Chevron
ACW20028	2	Handle Fixing Block
ACW20038	4H + 2W	Wedge Gasket
ACW20055	8	Cleat Ventframe
ACW20056	8	Cleat Ventframe
ACW20160	4	Outer Frame Screw
ACIN***	2	Friction Stays (Pairs)

Glass	
W1	85 x H - 94
W2	85 x H - 94

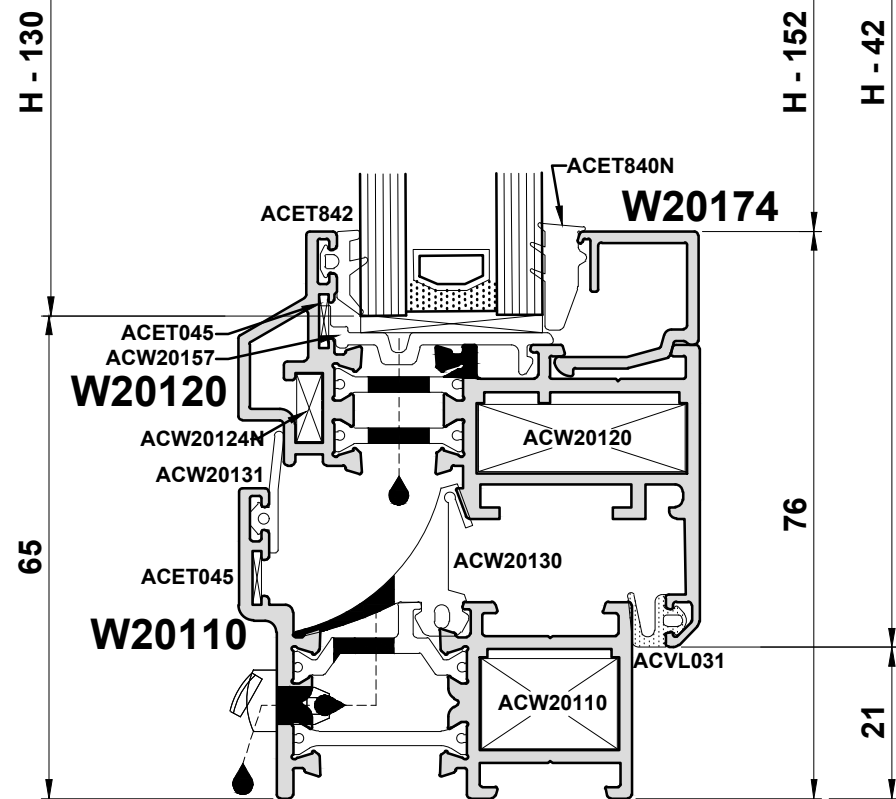
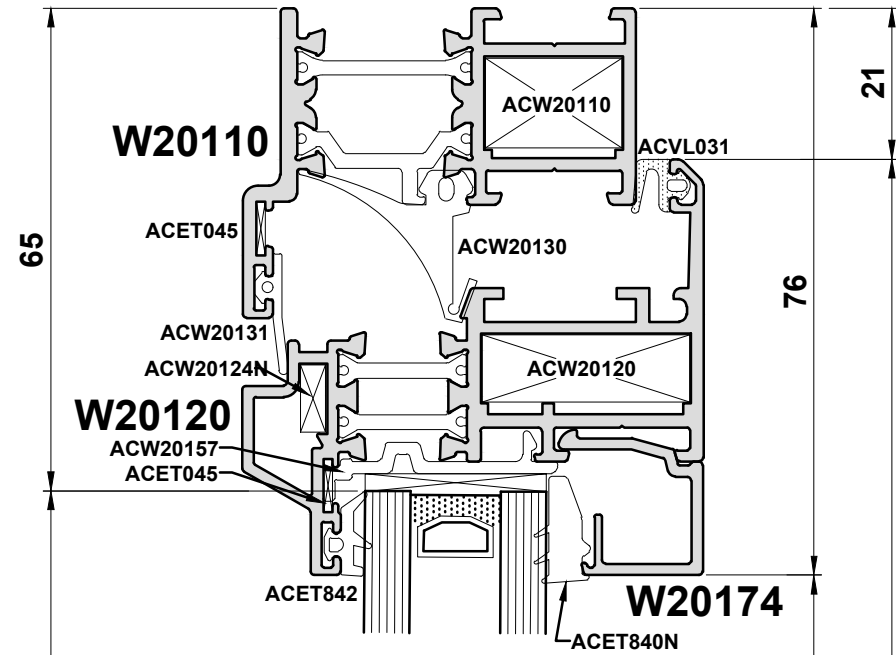


Note: The minimum sash height for this arrangement is 800mm



Do Not Scale From This Drawing

Cutting Information - Tilt & Turn

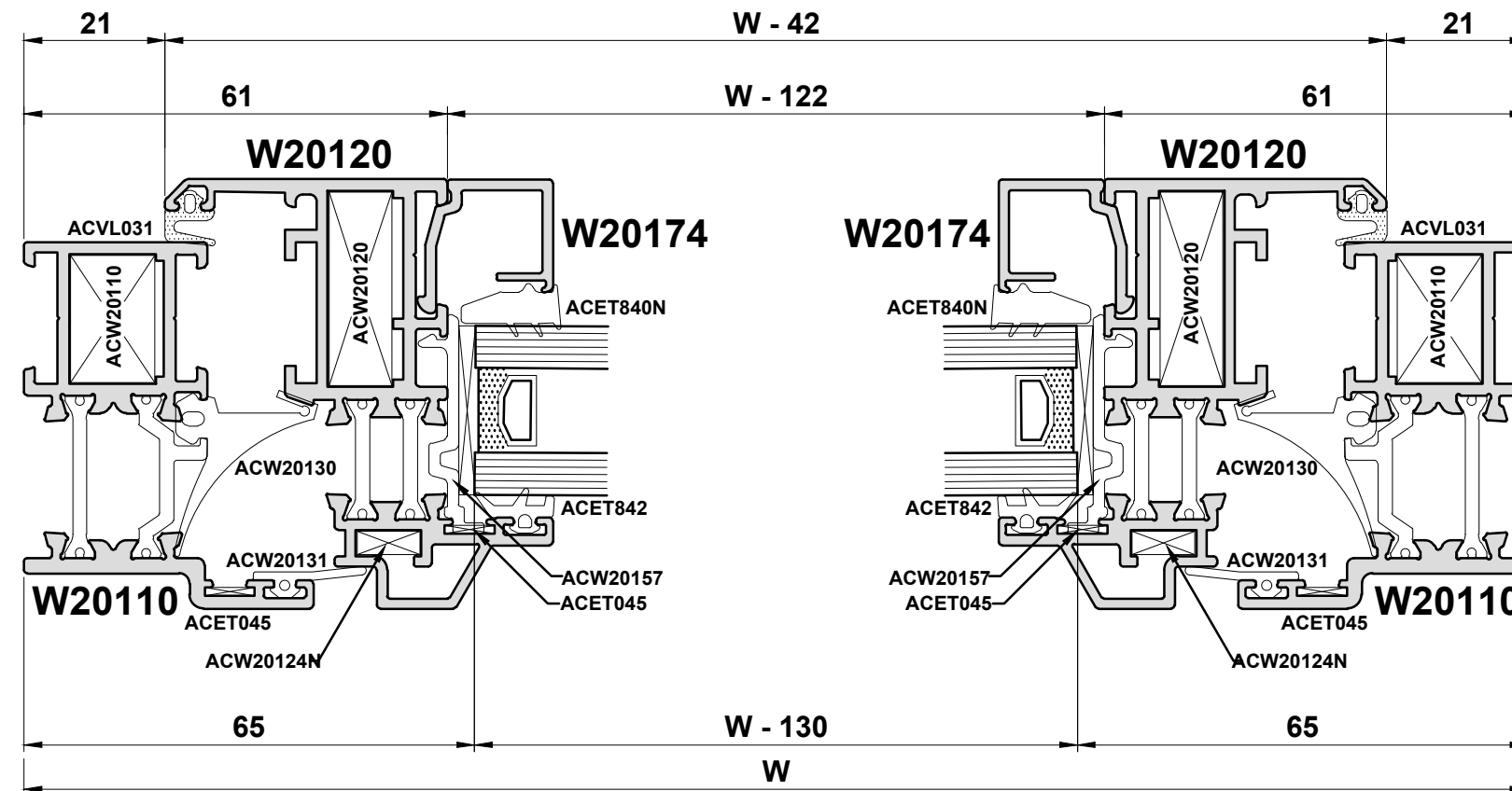
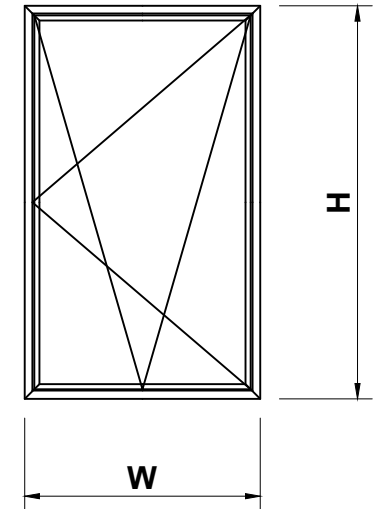


Sections				
W20110		2		H
W20110		2		W
W20120		2		H-42
W20120		2		W-42
W20174		2		W-122
W20174		2		H-152

Accessories		
ACET045	8	Chevron
ACET840	2(W+H)	Wedge Gasket
ACET842	2(W+H)	Gasket E
ACGSL045	2	Drainage Cap
ACW20110	4	Outer Frame Cleat
ACW20120	4	Inner Sash Cleat
ACW20124N	4	Outer Sash Cleat
ACW20131	2(W+H)	External Outer Frame Gasket
ACW20133	4	Corner Moulding
ACW20157	6	Bridge Packer
ACVL031	2(W+H)	Flipper Gasket
ACW20130	2(W+H)	Flipper Gasket

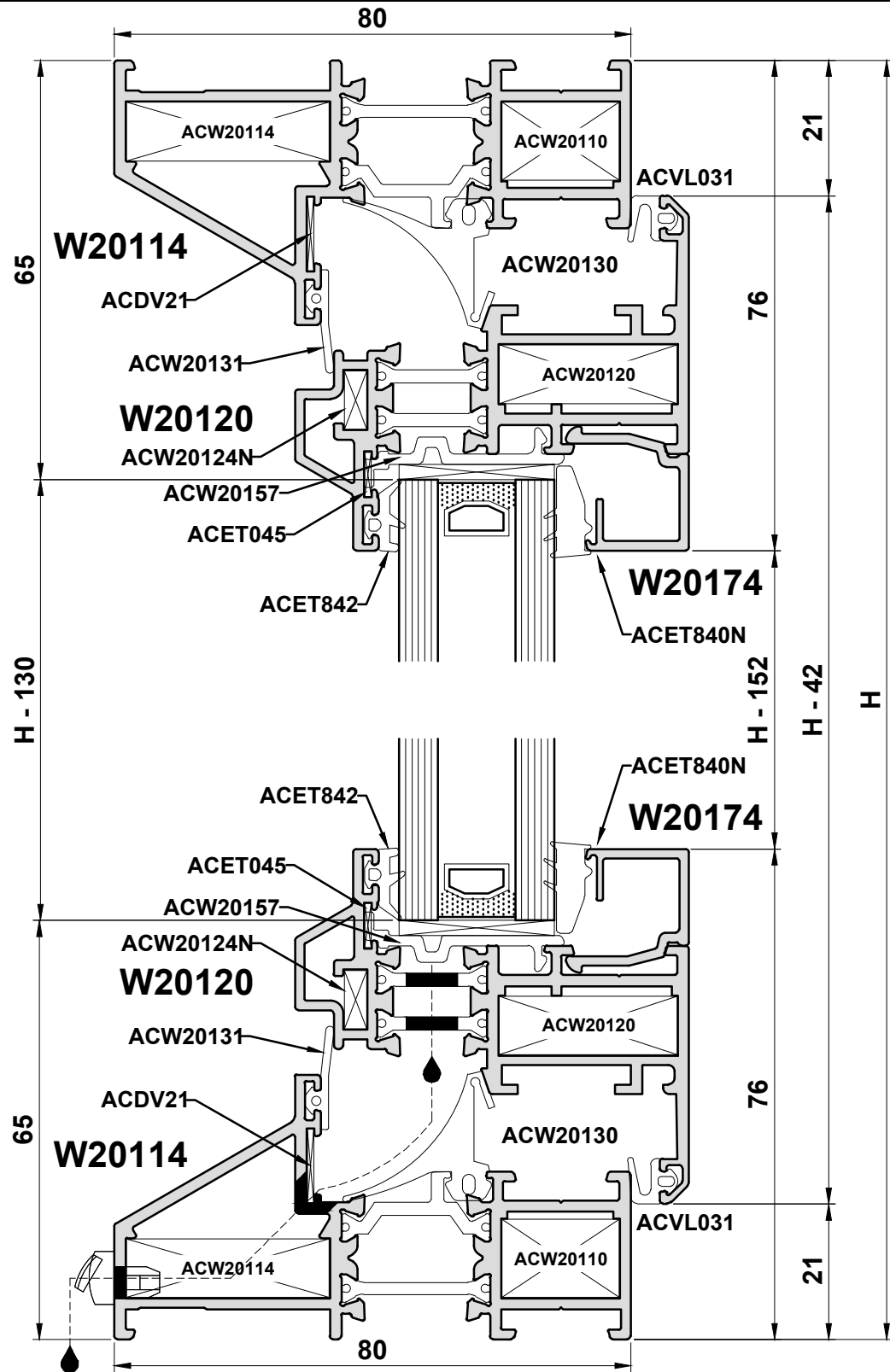
Glass	
W - 130	
H - 130	

Please refer to the SB Chrono or Fapim manual for tilt & turn hardware



Do Not Scale From This Drawing

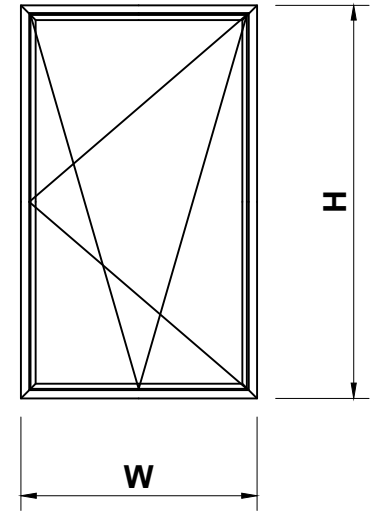
**Cutting Information - Tilt & Turn**



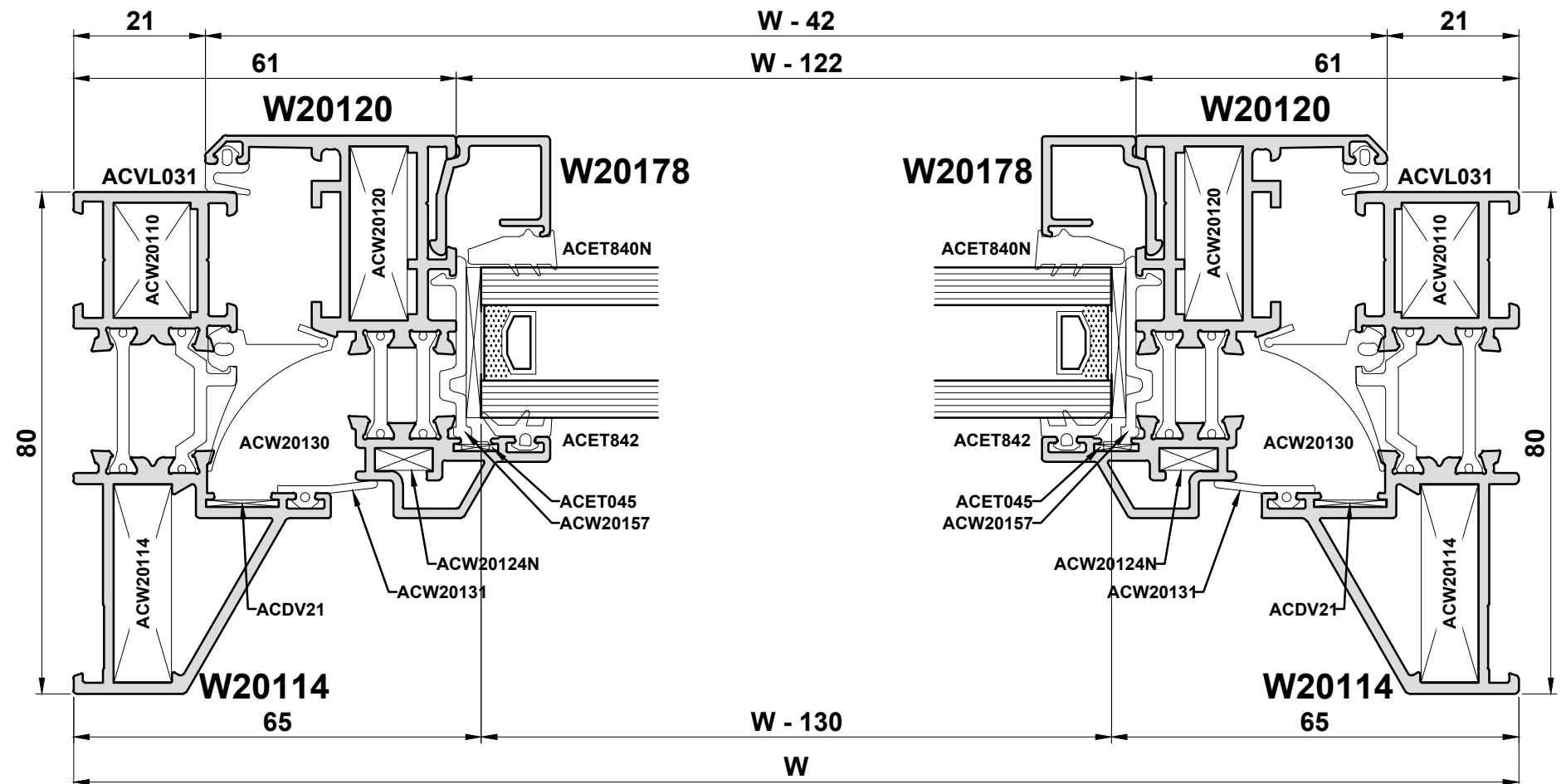
Sections				
W20114		2		H
W20114		2		W
W20120		2		H-42
W20120		2		W-42
W20174		2		W-122
W20174		2		W-152

Accessories		
ACDV21	8	Chevron
ACET840	2xW + 4xH	Wedge Gasket
ACET842	2xW + 4xH	Gasket E
ACGSL045	2	Drainage Cap
ACW20110	4	Outer Frame Cleat
ACW20120	4	Inner Sash Cleat
ACW20114	4	Outer Sash Cleat
ACW20131	2(W1) + 2(H)	External Outer Frame Gasket
ACW20133	4	ACW20133 Corner Moulding
ACW20157	8	Bridge Packer
ACVL031	2(W1) + 2(H)	Flipper Gasket
MUA067	6	Transom Screws
ACW20130	2(W+H)	Flipper Gasket

Glass	
W - 130	
H - 130	

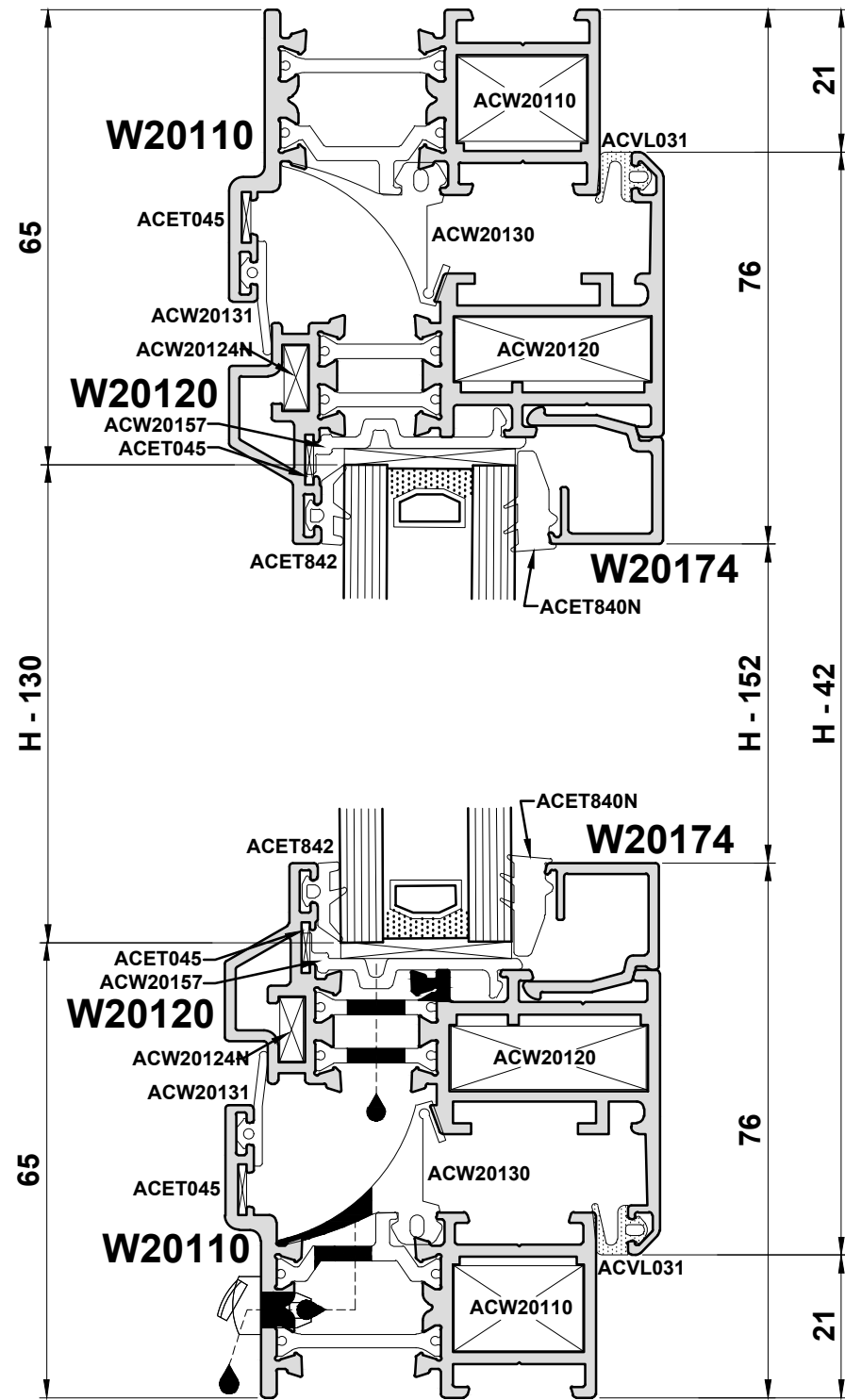


Please refer to the SB Chrono or Fapim manual for tilt & turn hardware



Do Not Scale From This Drawing

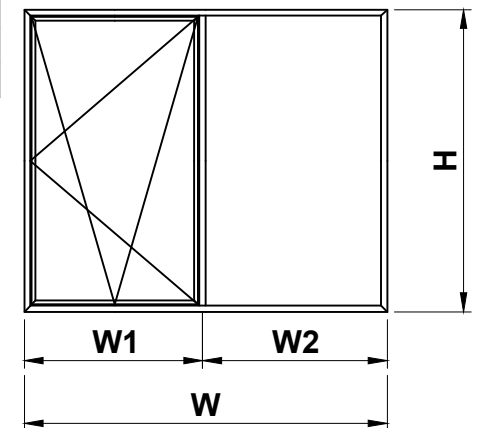
**Cutting Information - Tilt & Turn adjacent to Fixed Light**



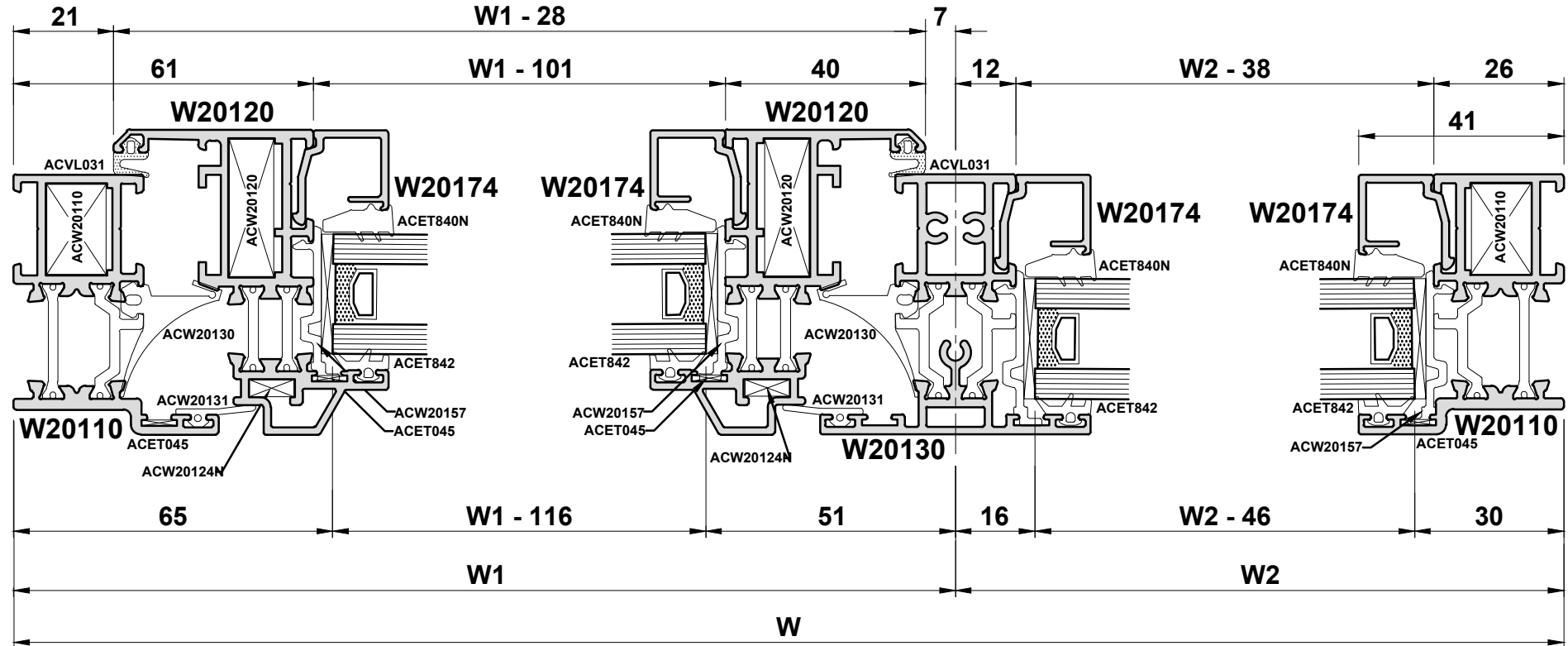
Sections				
W20110	2		H	
W20110	2		W	
W20120	2		H-42	
W20120	2		W1-28	
W20130	1		H-52	
W20174	2		W1-101	
W20174	2		H-152	
W20174	2		W2-38	
W20174	2		H-82	

Accessories		
ACET045	8	Chevron
ACET840	2xW + 4xH	Wedge Gasket
ACET842	2xW + 4xH	Gasket E
ACGSL045	4	Drainage Cap
ACW20110	4	Outer Frame Cleat
ACW20120	4	Inner Sash Cleat
ACW20124N	4	Outer Sash Cleat
ACW20130	2(W+H)	Flipper Gasket
ACW20131	2(W1) + 2(H)	External Outer Frame Gasket
ACW20133	4	ACW20133 Corner Moulding
ACW20157	8	Bridge Packer
ACVL031	2(W1) + 2(H)	Flipper Gasket
MUA067	6	Transom Screws

Glass	
W1	- 116 x H1 - 130
W2	- 46 x H2 - 48



Please refer to the SB Chrono or Fapim manual for tilt & turn hardware



Do Not Scale From This Drawing

